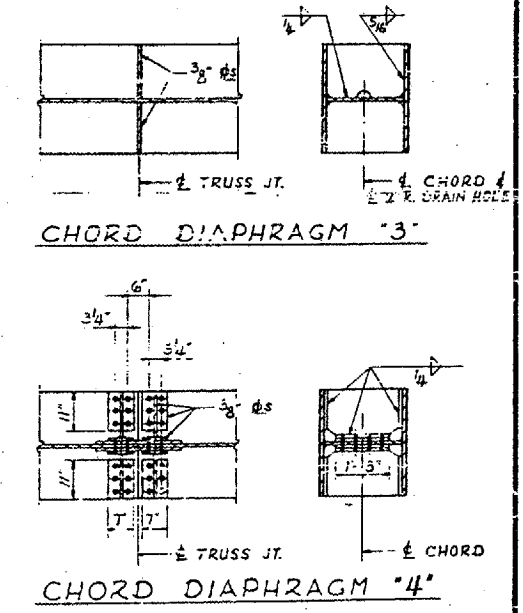
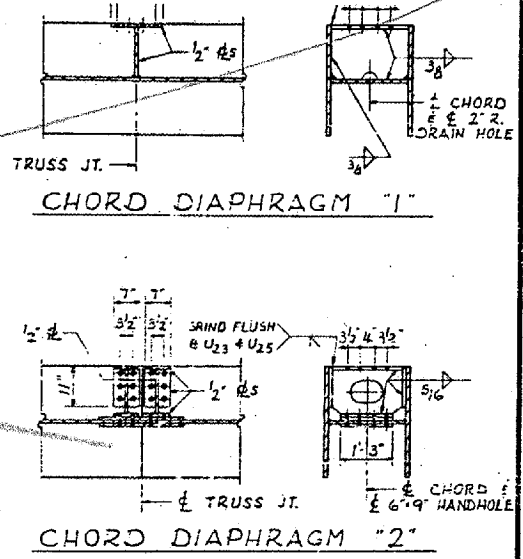
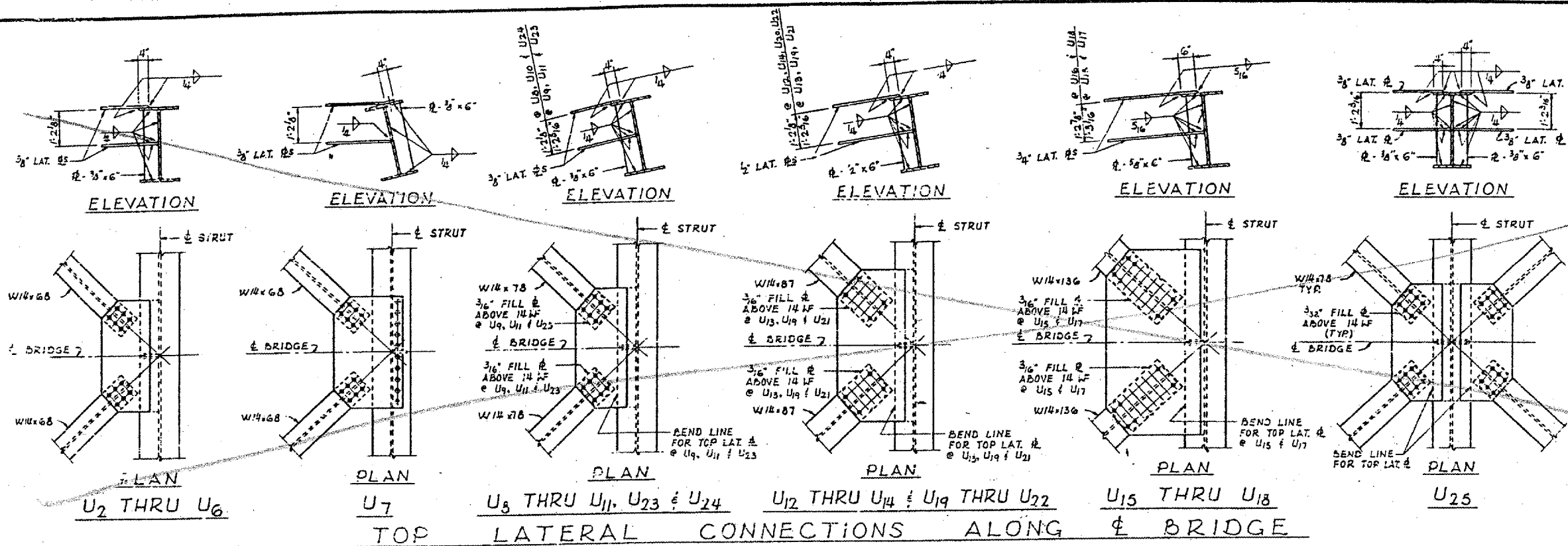
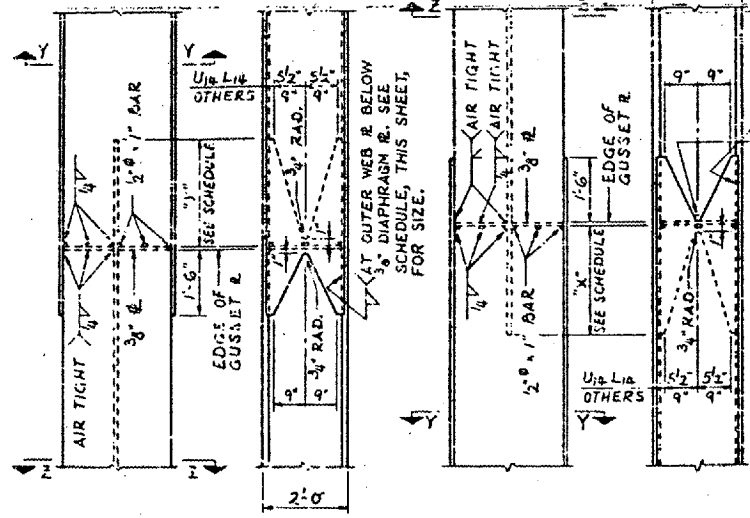
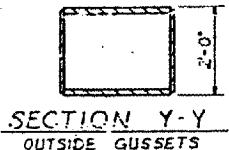


CONTRACT NO. 98940
 ROUTE FAI-57
 (02-1B-1) P1
 ALEXANDER COUNTY
 SHEET 14 OF 67



SCHEDULE OF "X" DIMENSIONS

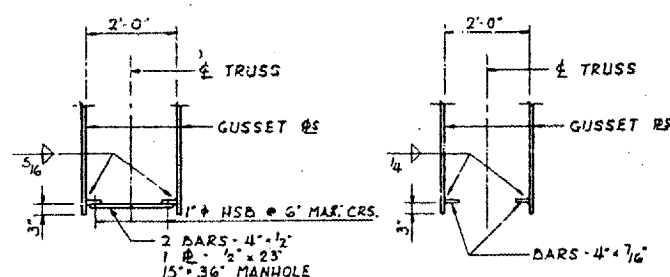
MEMBER	"X"
L ₃ U ₉	3'-0"
U ₉ L ₁₀	2'-0"
L ₁₀ U ₁₁	3'-0"
U ₁₁ L ₁₂	2'-0"
L ₁₂ U ₁₃	3'-0"
U ₁₃ L ₁₄	3'-0"
L ₁₄ U ₁₅	3'-0"
U ₁₅ M ₁₆	3'-0"
M ₁₆ U ₁₇	2'-0"
U ₁₇ M ₁₈	3'-0"
M ₁₈ U ₁₉	2'-0"
U ₁₄ L ₁₄	3'-0"
ALL OTHERS	1'-6"



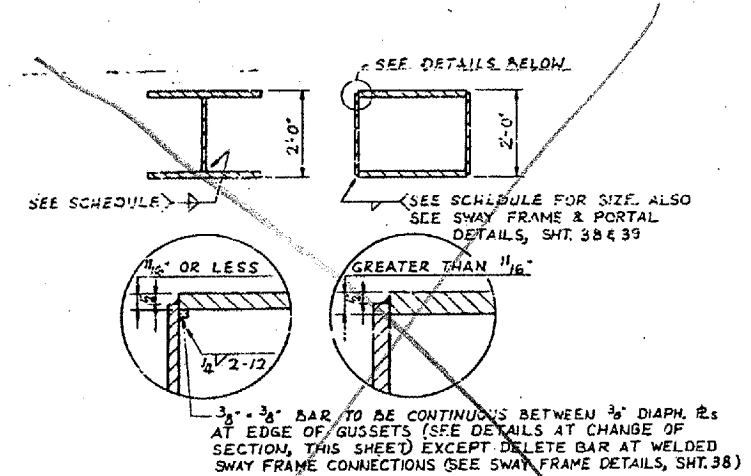
SECTION Y-Y
 OUTSIDE GUSSETS

SECTION Z-Z
 WITHIN GUSSETS

LOWER END
UPPER END
 DETAILS AT CHANGE OF SECTION



FOR LOCATIONS SEE ELEVATION OF TRUSS



MATERIAL THICKNESS OF THICKER PART JOINED (IN.)	SIZE OF FILLET WELD (IN.)
TO 3/8" INCL.	1/4
OVER 3/8" TO 1/2"	5/16
OVER 1/2" TO 3/4"	3/8

* UNLESS OTHERWISE
WELD D

TRUSS DETAILS - MISCELLANEOUS
 F. A. I. RTE. 57 OVER THE MISSISSIPPI RIVER
 PROJECT 1-57-9(1) D
 SECTION (02-1B-1) F&E
 ALEXANDER COUNTY, ILLINOIS
 MISSISSIPPI COUNTY, MISSOURI
 STA. 1141 + 84.75 TO STA. 1182 + 75.25

BRIDGE NO. 1
 STRUCTURE NO. 002-0022
 FOR INFORMATION ONLY