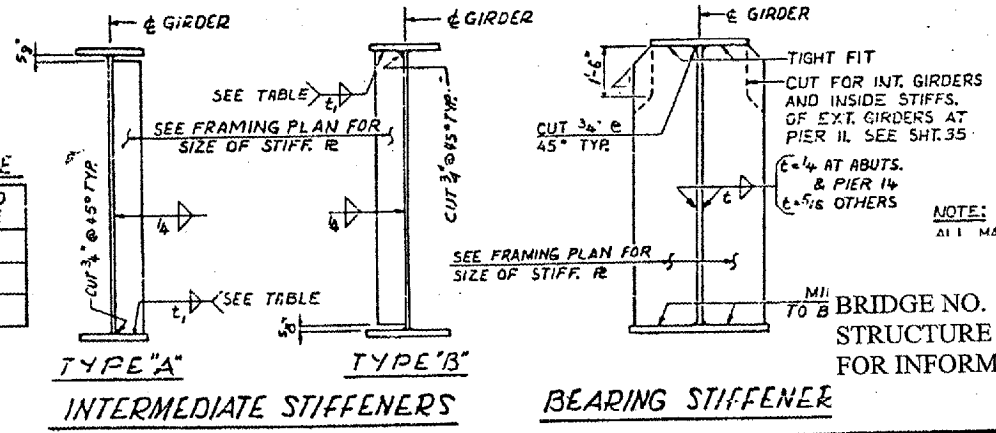


FILLET WELD (L) TABLE

FLANGE R THICKNESS	WELD SIZE
OVER 1/2" TO 3/4"	1/4
OVER 3/4" TO 1 1/2"	5/16
OVER 1 1/2" TO 2 1/4"	3/8



NOTE:
 ALL MATERIAL ASTM & AISI UNLESS LISTED

FIELD SPLICES & DETAILS - SPANS 1 TO LAB 15 TO 19
 P.A.I. RTE. 57 OVER THE MISSISSIPPI RIVER
 PROJECT 1-57-9(510)
 SECTION (02-1B-1) D
 ALEXANDER COUNTY, ILLINOIS
 MISSISSIPPI COUNTY, MISSOURI
 STA. 1141 + 84.75 TO STA. 1182 + 75.25

BRIDGE NO. 1
 STRUCTURE NO. 002-0022
 FOR INFORMATION ONLY