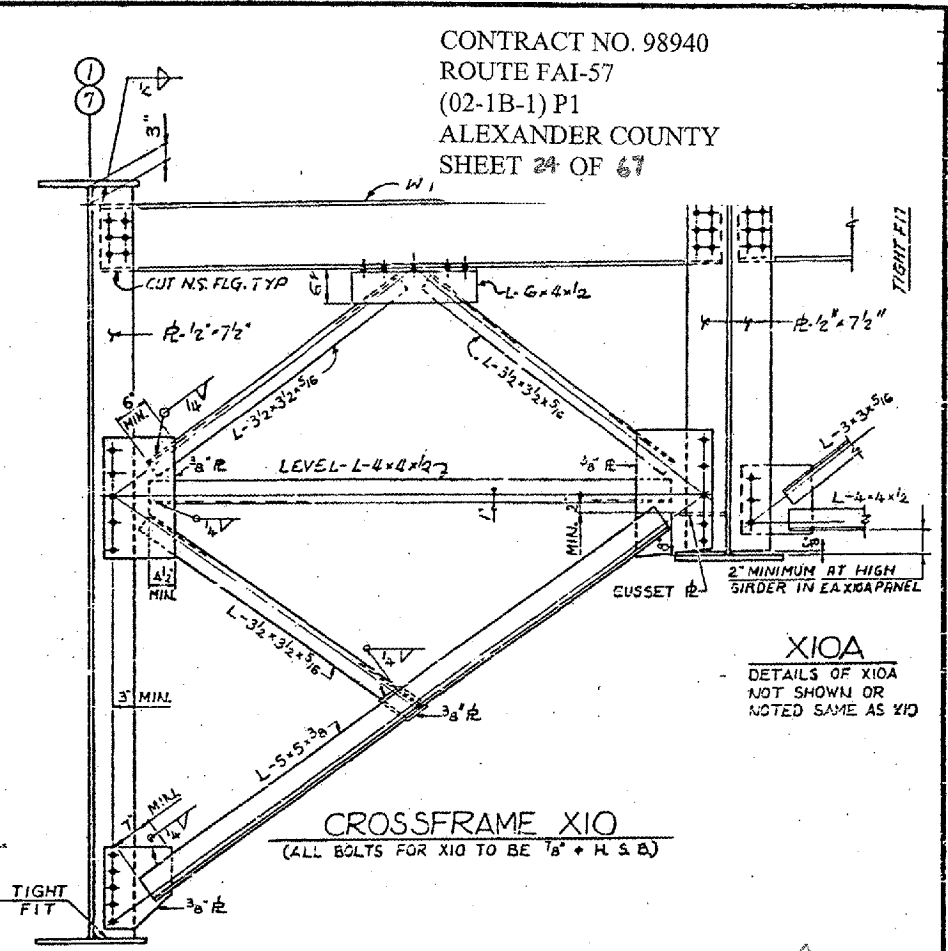
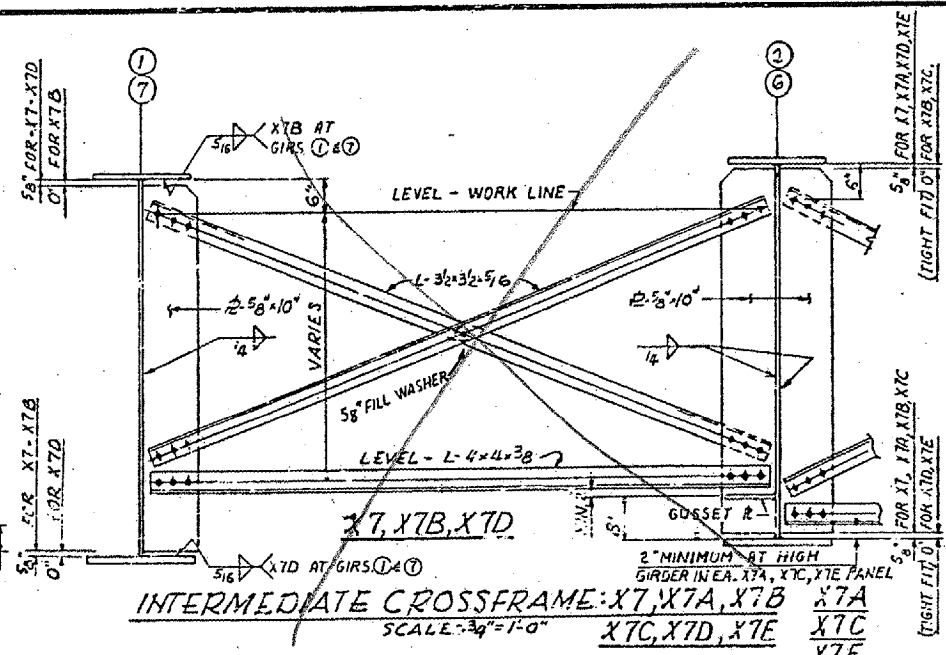
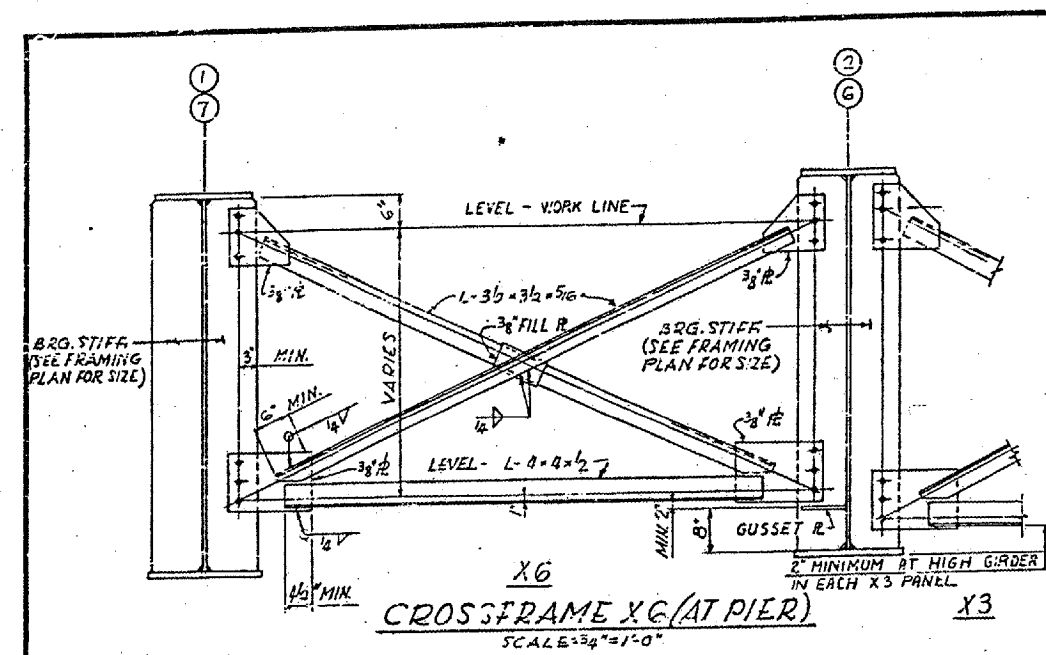
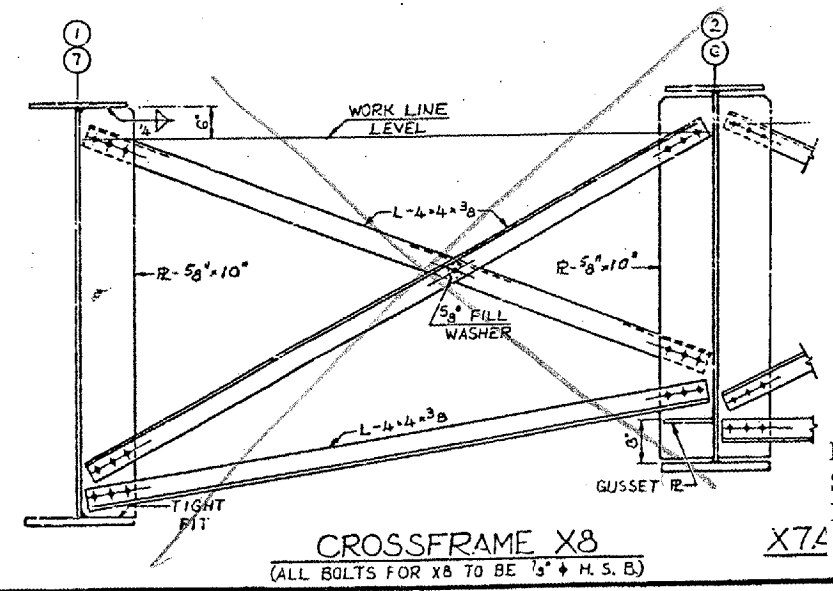
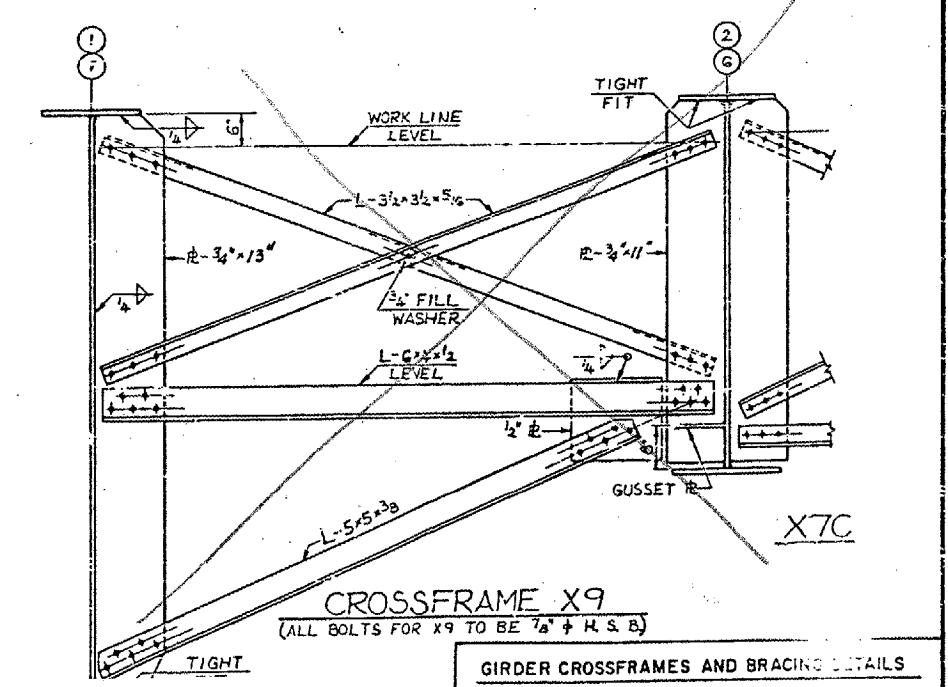
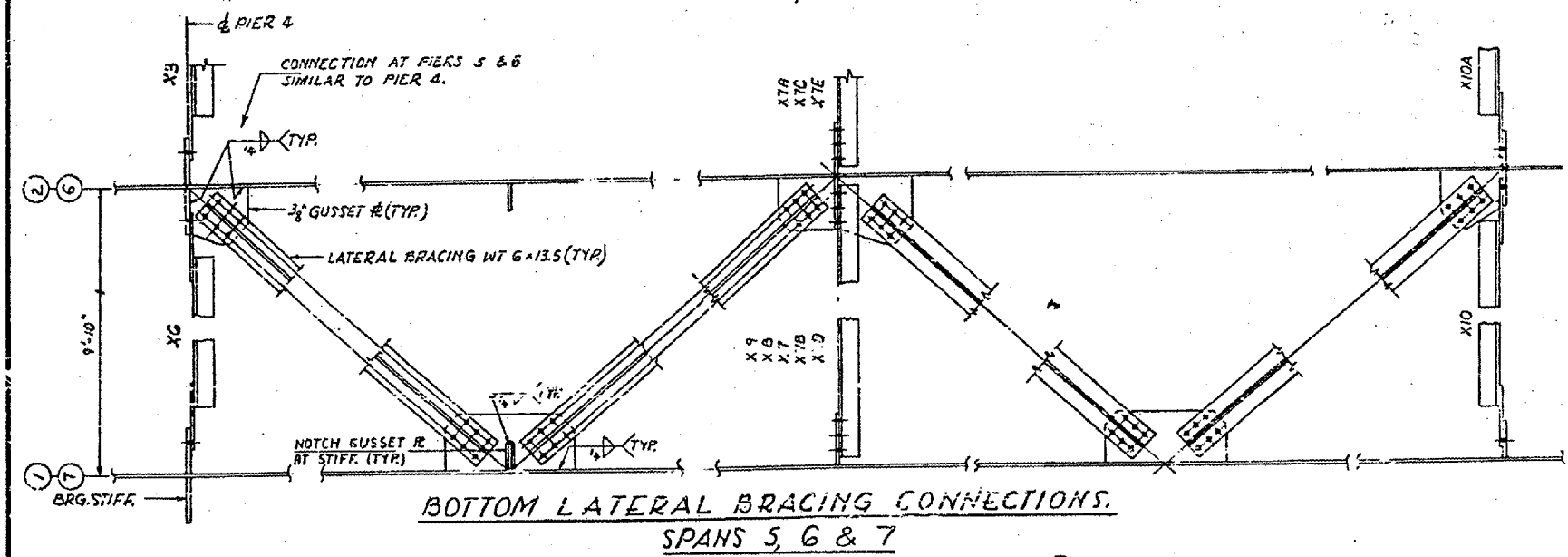


CONTRACT NO. 98940
 ROUTE FAI-57
 (02-1B-1) P1
 ALEXANDER COUNTY
 SHEET 24 OF 67



X10A
 DETAILS OF X10A
 NOT SHOWN OR
 NOTED SAME AS X10



NOTES:
 ALL MATERIAL ASTM A36 UNLESS NOTED.
 ALL FASTENERS SHALL BE 3/4" + ASTM A325
 HIGH STRENGTH BOLTS UNLESS NOTED.
 FOR DETAIL OF STIFFENERS, SEE SH. 44

BRIDGE NO. 1
 STRUCTURE NO. 002-0022
 FOR INFORMATION ONLY

GIRDER CROSSFRAMES AND BRACING DETAILS
 F. A. I. RTE. 57 OVER THE MISSISSIPPI RIVER
 PROJECT 1-57-9(5)10
 SECTION (02-1B-1) D
 ALEXANDER COUNTY, ILLINOIS
 MISSISSIPPI COUNTY, MISSOURI
 STA. 1141 + 84.75 TO STA. 1182 + 75.25