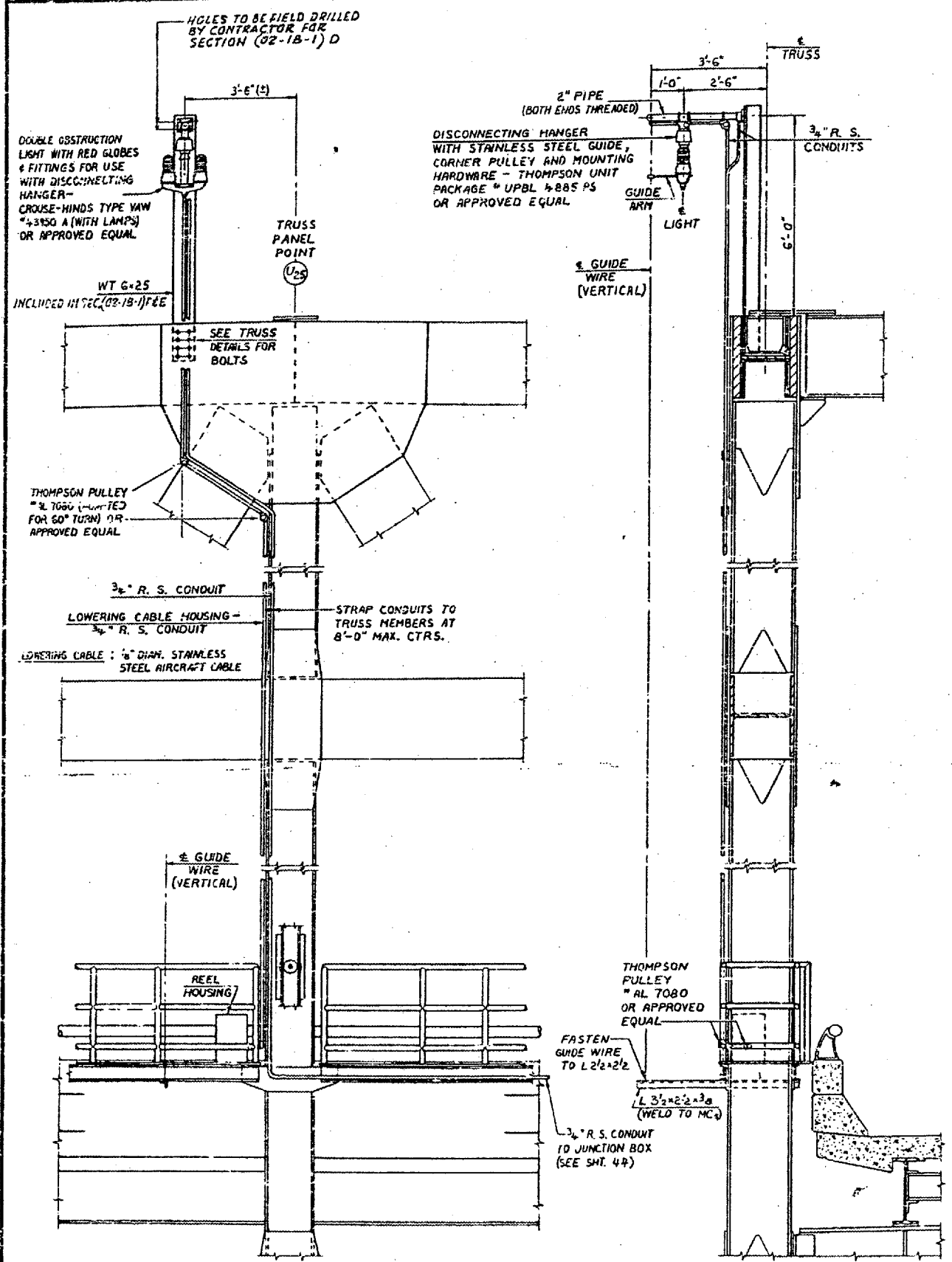
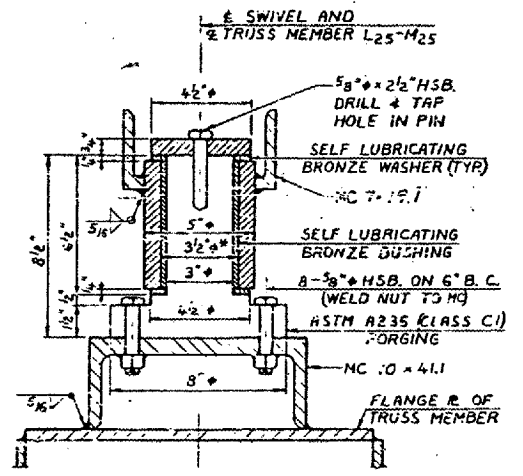
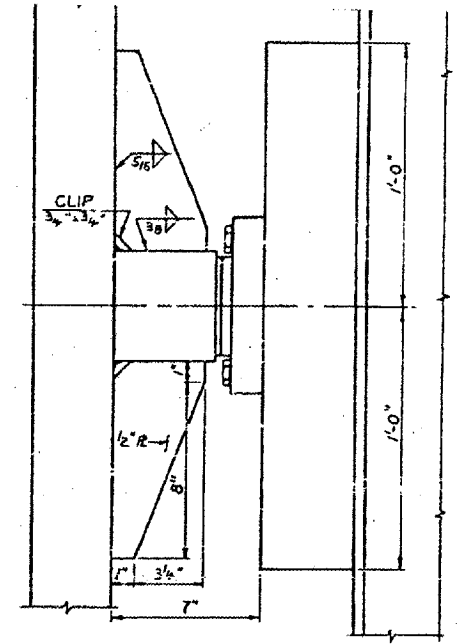
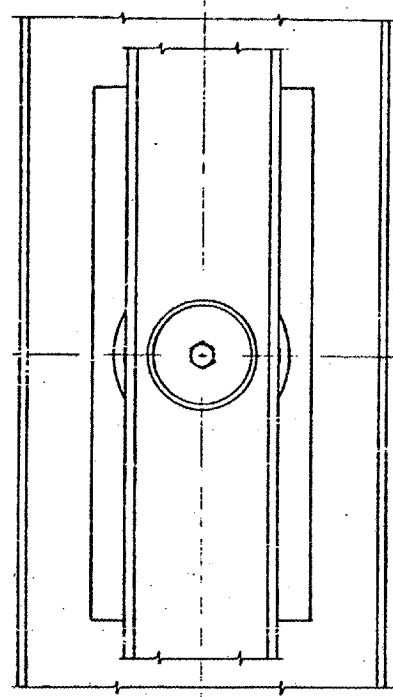


CONTRACT NO. 98940
 ROUTE FAI-57
 (02-1B-1) P1
 ALEXANDER COUNTY
 SHEET 32 OF 67



AVIATION OBSTRUCTION LIGHTING DETAILS
 ON EAST SIDE OF BRIDGE
 SCALE: 1/2"=1'-0"



CLEARANCES AND SURFACE FINISHES SHALL BE AS REQUIRED FOR PROPER OPERATION OF THE SELF LUBRICATING BUSHING AND WASHERS

* INTERFERENCE FIT BETWEEN BUSHING & HOUSING

SWIVEL FOR NAVIGATION LIGHT SUSPENSION IN SPAN 13
 SCALE: 3/4"=1'-0"

BRIDGE NO. 1
 STRUCTURE NO. 002-0022
 FOR INFORMATION ONLY

AVIATION OBSTRUCTION LIGHT TAILS
 F. A. I. RTE. 57 OVER THE MISSISSIPPI RIVER
 PROJECT 1-57-9(10)
 SECTION (02-1B-1)F&E
 ALEXANDER COUNTY, ILLINOIS
 MISSISSIPPI COUNTY, MISSOURI
 STA. 1141 + 84.75 TO STA. 1182 + 75.25