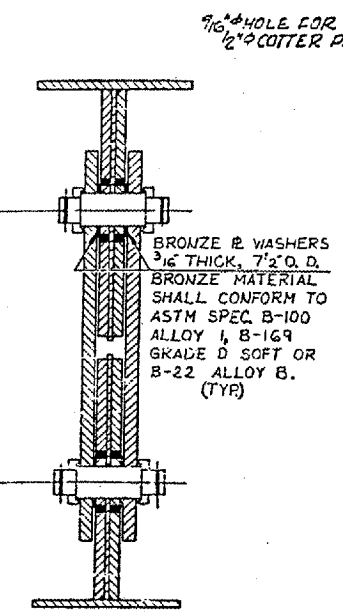
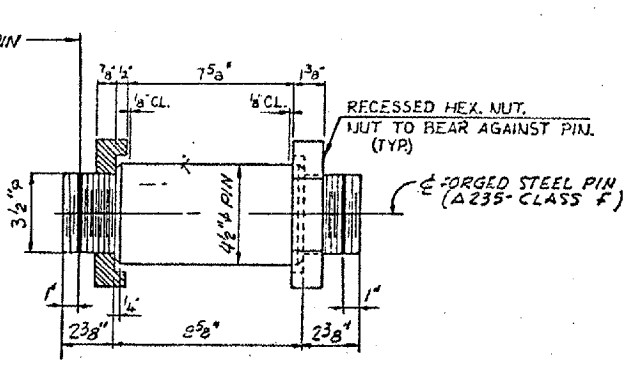


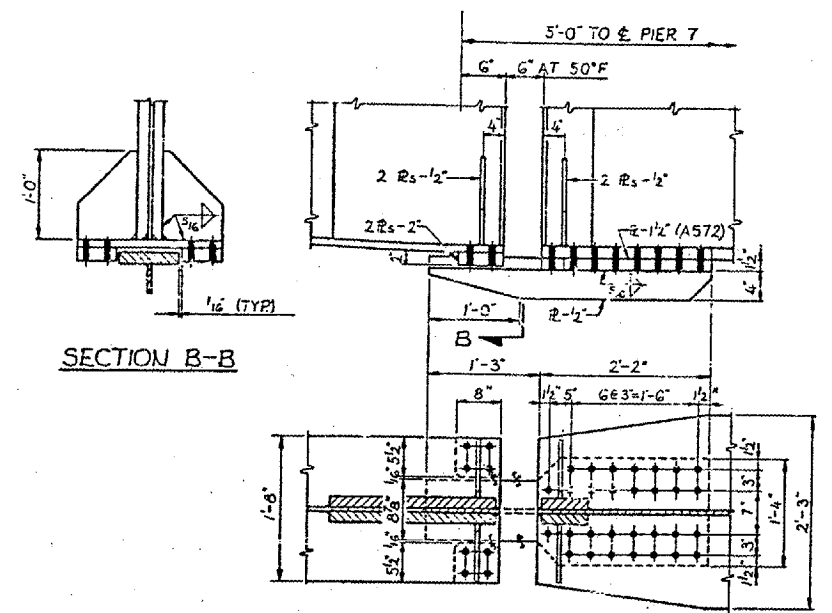
LINK DETAILS - SPAN 7
 GIRDER 2 TO 6 SHOWN
 GIRDERS 1 & 7 SIMILAR EXCEPT FOR WIND BRACING



SECTION A-A



PIN DETAIL
 NUTS SHALL BE SNUGGED UP FINGER
 TIGHT AGAINST SHOULDERS OF PIN
 TOTAL NO. OF PINS REQUIRED = 14.



WIND BRACING AT LINK-SPAN 7
 GIRDER 1 & 7

- NOTES:**
- ALL MATERIAL, ASTM A36 UNLESS NOTED.
 - ALL FASTENERS SHALL BE 7/8\"/>

BRIDGE NO. 1
 STRUCTURE NO. 002-0022
 FOR INFORMATION ONLY

STEEL DETAILS - SPANS 8 TO 9A
F.A.I. RTE. 57 OVER THE MISSISSIPPI RIVER
PROJECT 1-57-9(6)0
SECTION (02-1B-1)P
ALEXANDER COUNTY, ILLINOIS
MISSISSIPPI COUNTY, MISSOURI
STA. 1141 + 84.75 TO STA. 1182 + 75.25