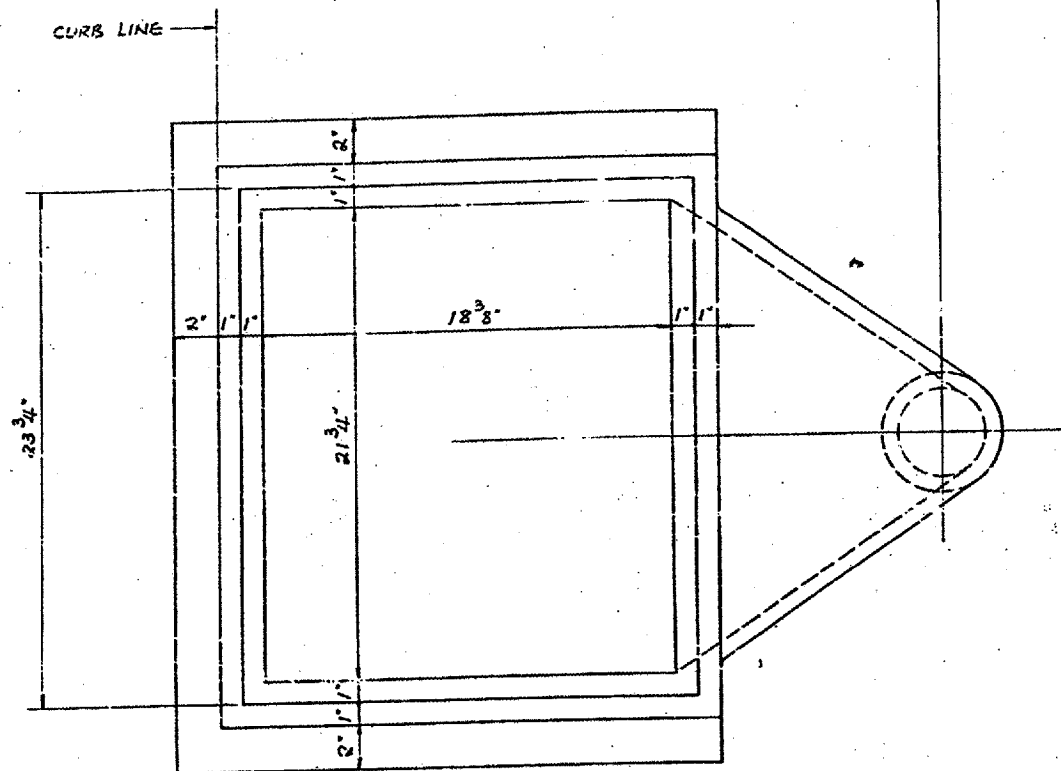


SECTION A-A

**DETAIL AT GIRDER SPANS
 SPANS 1 TO 9A & 15 TO 19**

NOTES:

- FOR LOCATION OF SCUPPERS SEE FRAMING PLAN.
- SCUPPER SUPPORT ANGLES ARE TO BE FURNISHED AND ERECTED BY CONTRACTOR FOR SECTION (02-1B-1) F.C.E.
- ALL OTHER MATERIAL SHOWN ON THIS SHEET IS TO BE FURNISHED AND ERECTED BY CONTRACTOR FOR SECTION (02-1B-1) D.



DETAILS OF SCUPPER

BRIDGE NO 1
 STRUCTURE NO. 002-0022
 FOR INFORMATION ONLY

ALFRED BENESCH & COMPANY
 CONSULTING ENGINEERS
 105 WABASH AVE CHICAGO, ILLINOIS

DRAINAGE DETAILS
 F. A. I. RTE. 57 OVER THE MISSISSIPPI RIVER
 PROJECT 1-57-9 (e.c.)
 SECTION (02-1B-1) P
 ALEXANDER COUNTY, ILLINOIS
 MISSISSIPPI COUNTY, MISSOURI
 STA. 1141 + 84.75 TO STA. 1182 + 75.25