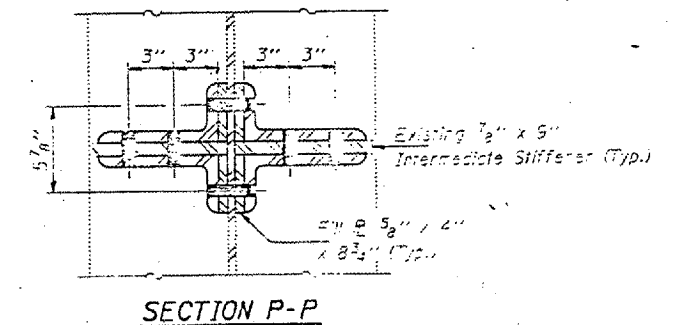
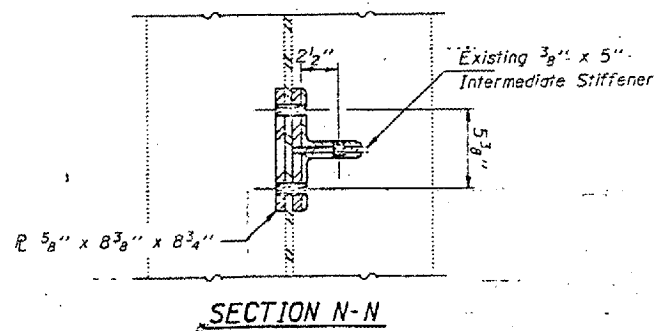
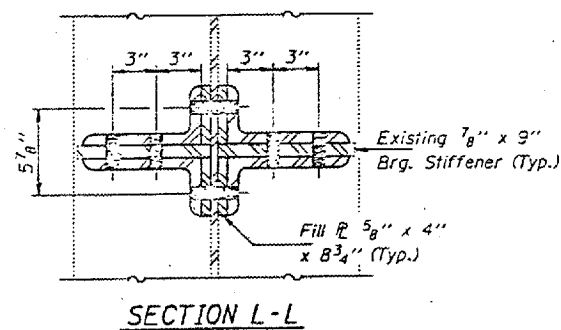
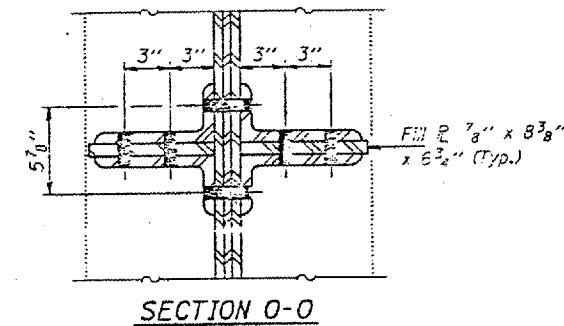
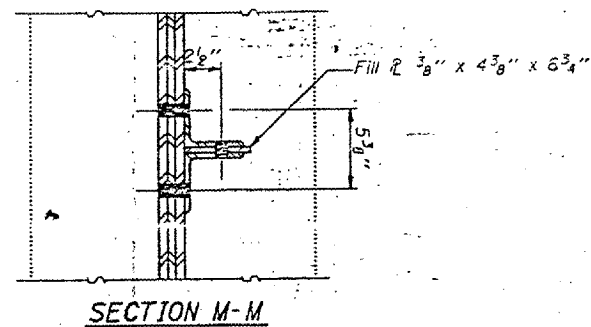
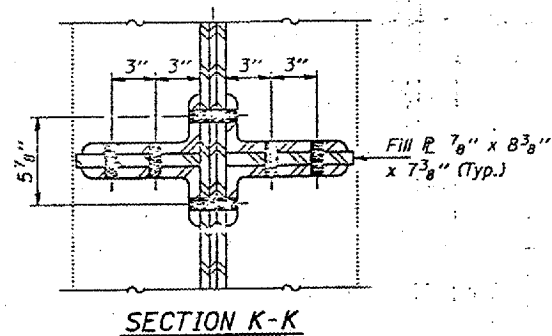
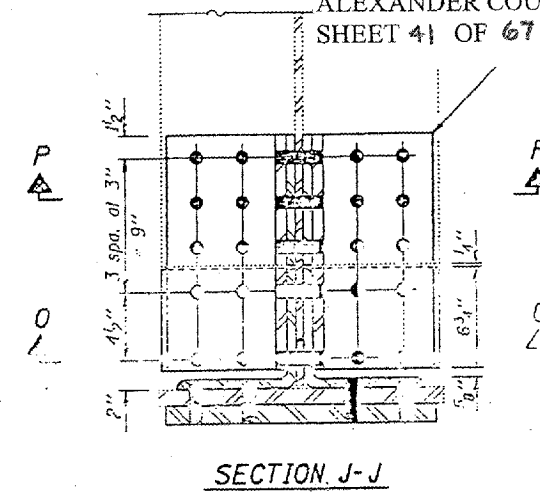
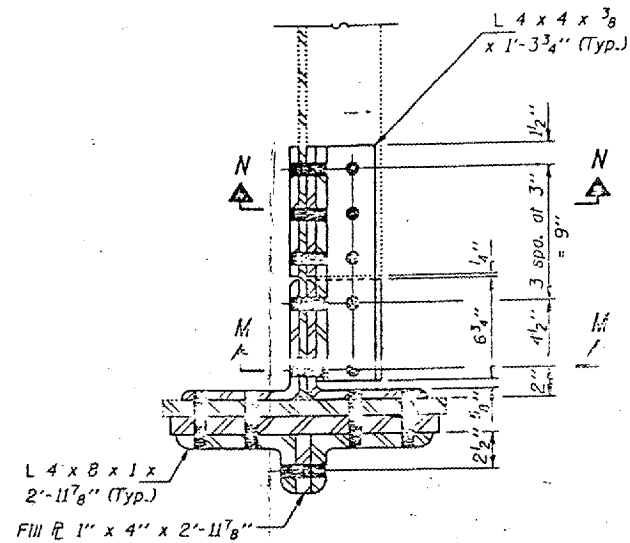
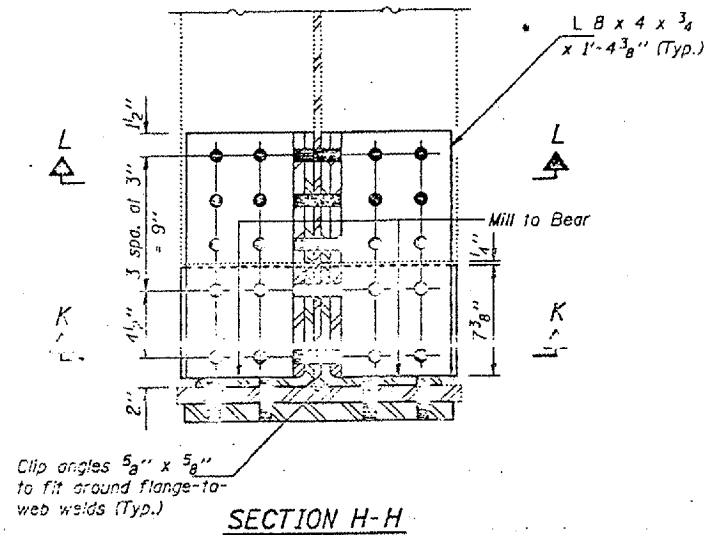


STATE OF ILLINOIS  
DEPARTMENT OF TRANSPORTATION

CONTRACT NO. 98940  
ROUTE FAI-57  
(02-1B-1) P1  
ALEXANDER COUNTY  
SHEET 41 OF 67



DESIGNED	<i>Kenneth P. Smith</i>
CHECKED	CHM
DRAWN	Paul Summer
CHECKED	KPS CHM

EXAMINED	<i>Joseph E. Adams</i>	March 8 1993
PASSED	ENGINEER OF STRUCTURAL SERVICES	
APPROVED	DIRECTOR OF BRIDGES AND STRUCTURES	
	DIRECTOR OF HIGHWAYS	

BRIDGE NO. 1  
STRUCTURE NO. 002-0022  
FOR INFORMATION ONLY

FLOOR BEAM REPAIRS  
F.A.I. RT. 57 SEC. (02-1B-1) (DL-53)  
ALEXANDER COUNTY  
STA. 1168+50  
STR. No. 002-0022