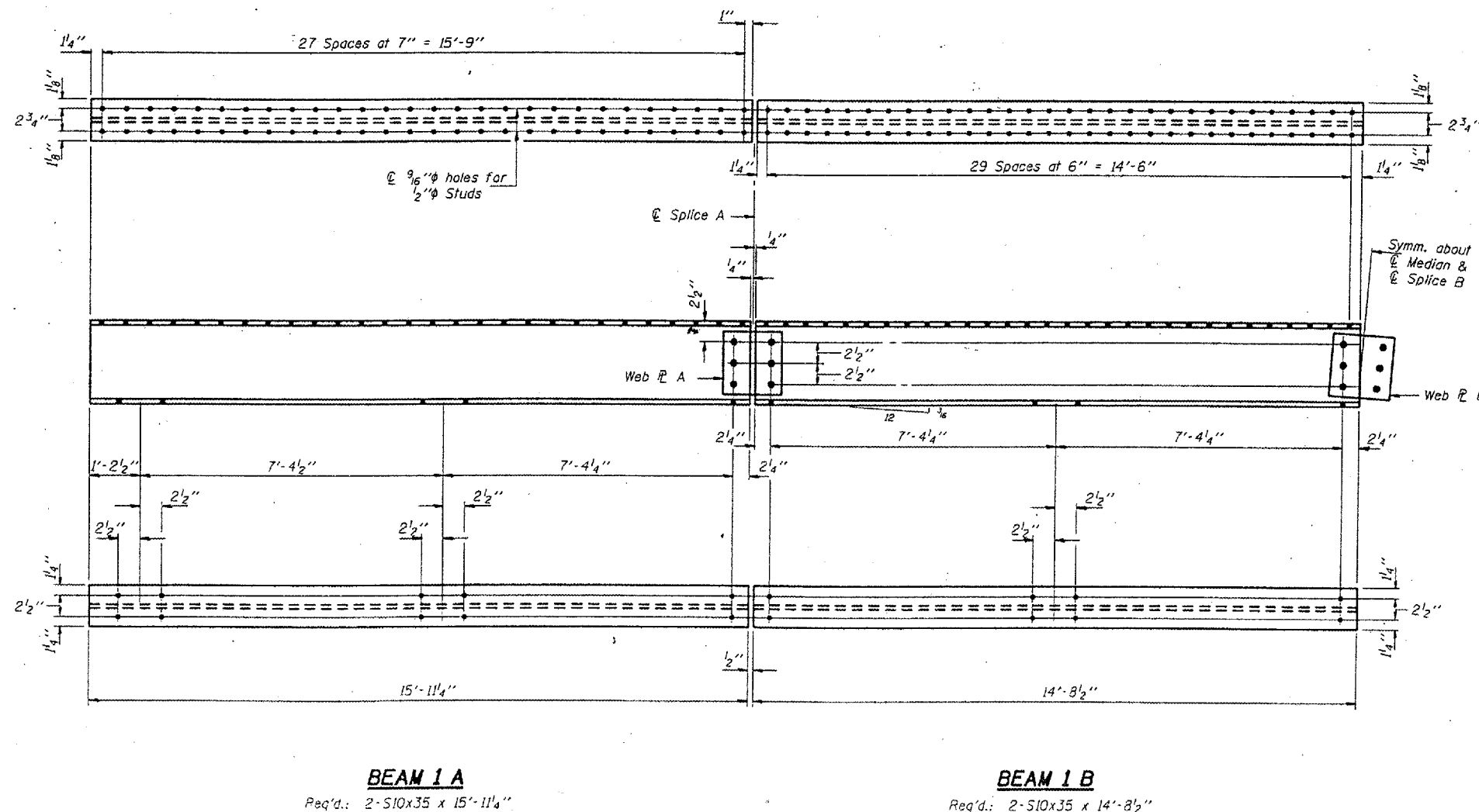
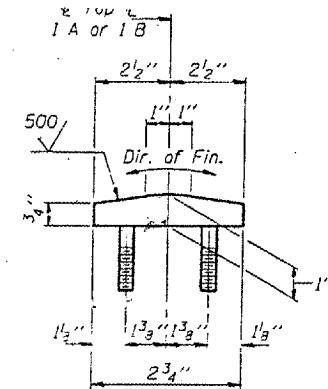
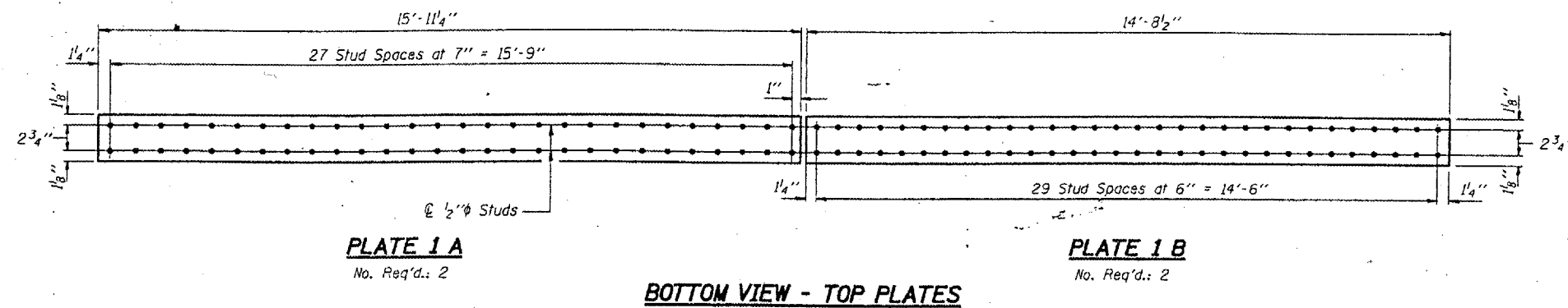


STATE OF ILLINOIS
DEPARTMENT OF TRANSPORTATION

CONTRACT NO. 98940
ROUTE FAI-57
(02-1B-1) P1
ALEXANDER COUNTY
SHEET 47 OF 67



DESIGNED	C.M.E.	APRIL 22	1997
CHECKED	V.H.V.	EXAMINED	<i>John E. Adams</i> ENGINEER OF STRUCTURAL SERVICES
DRAWN	D-Herbert	PASSED	
CHECKED	R.P.S. C.M.E.		ENGINEER OF BRIDGES AND STRUCTURES

BRIDGE NO. 1
STRUCTURE NO. 002-0022
FOR INFORMATION ONLY

BRIDGE REPAIRS
F.A.I. 57 OVER MISSISSIPPI RIVER
SEC. 02-1B-1
ALEXANDER COUNTY
S.N. 002-0022