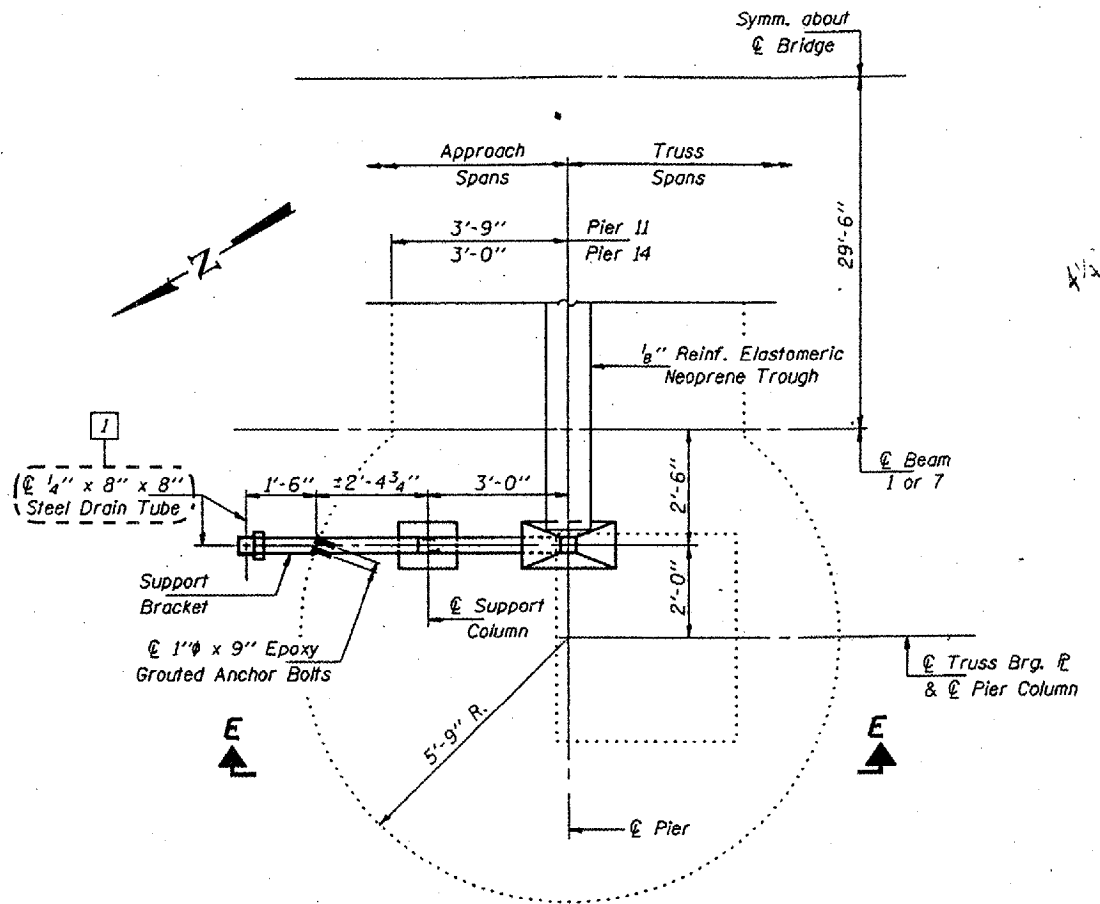
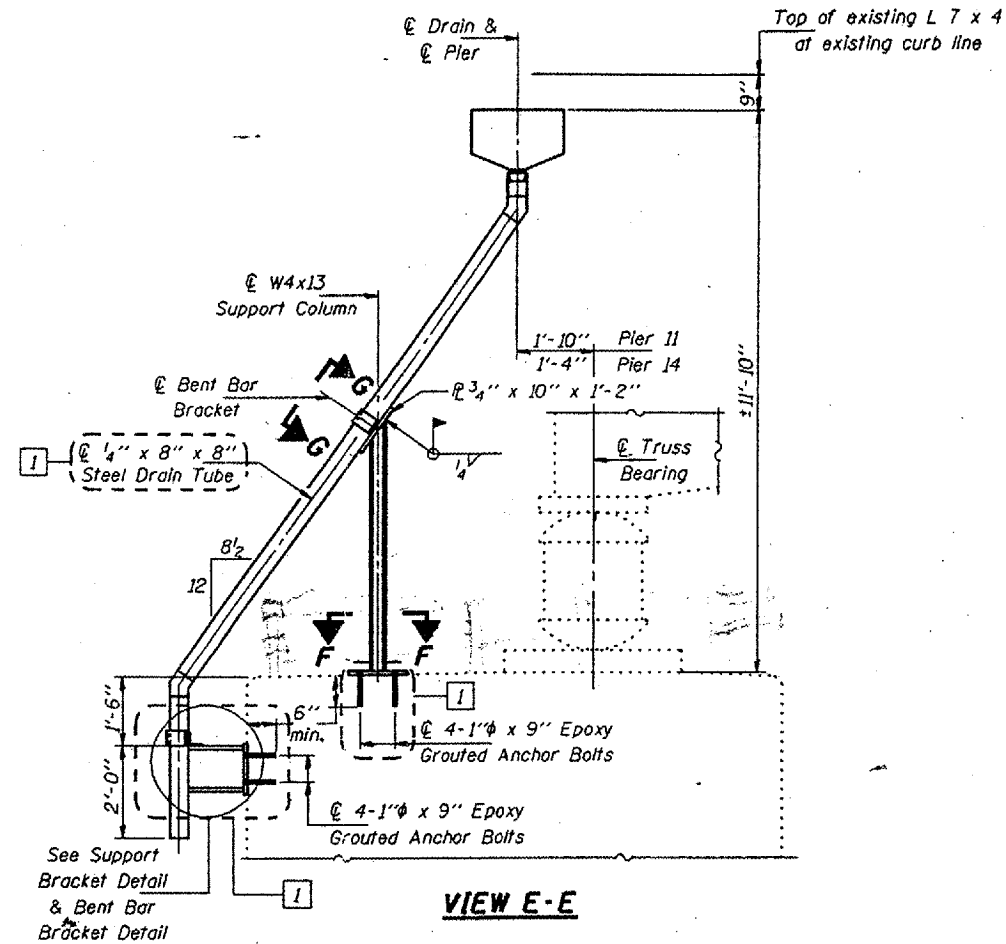


STATE OF ILLINOIS
DEPARTMENT OF TRANSPORTATION

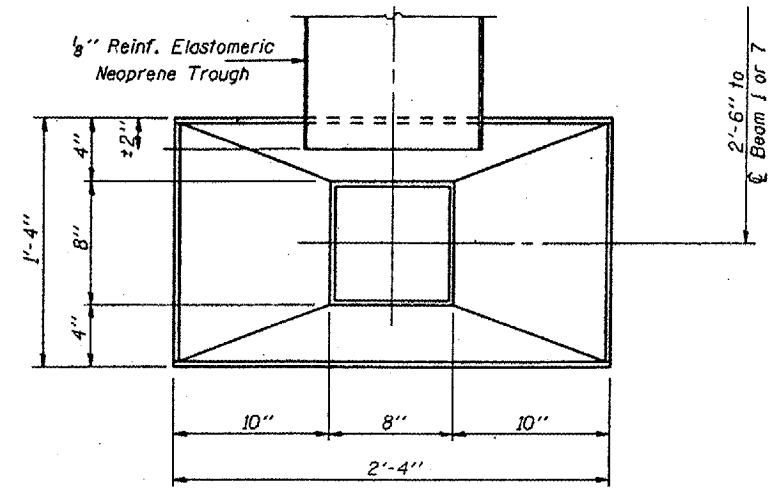
CONTRACT NO. 98940
ROUTE FAI-57
(02-1B-1) P1
ALEXANDER COUNTY
SHEET 48 OF 67



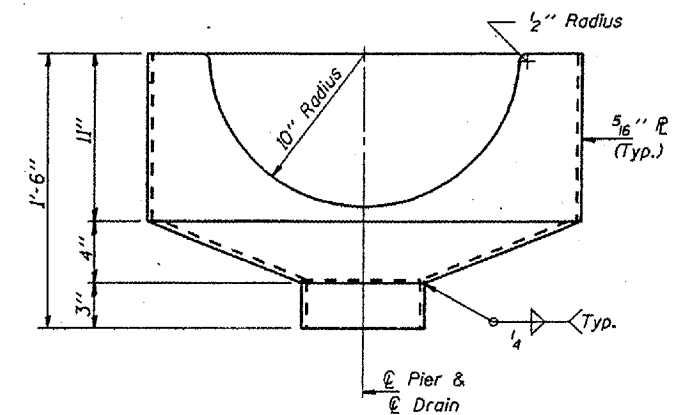
PARTIAL PLAN - PIER II
(Pier 14 similar by rotation of 180°)



VIEW E-E

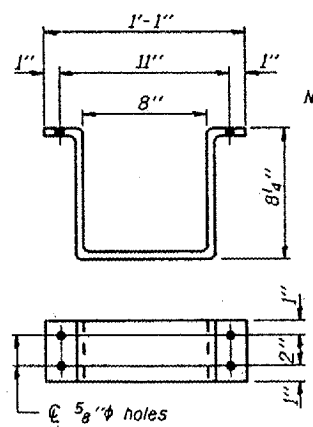


TOP VIEW



DRAIN ELEVATION
(Looking out from center of Bridge)

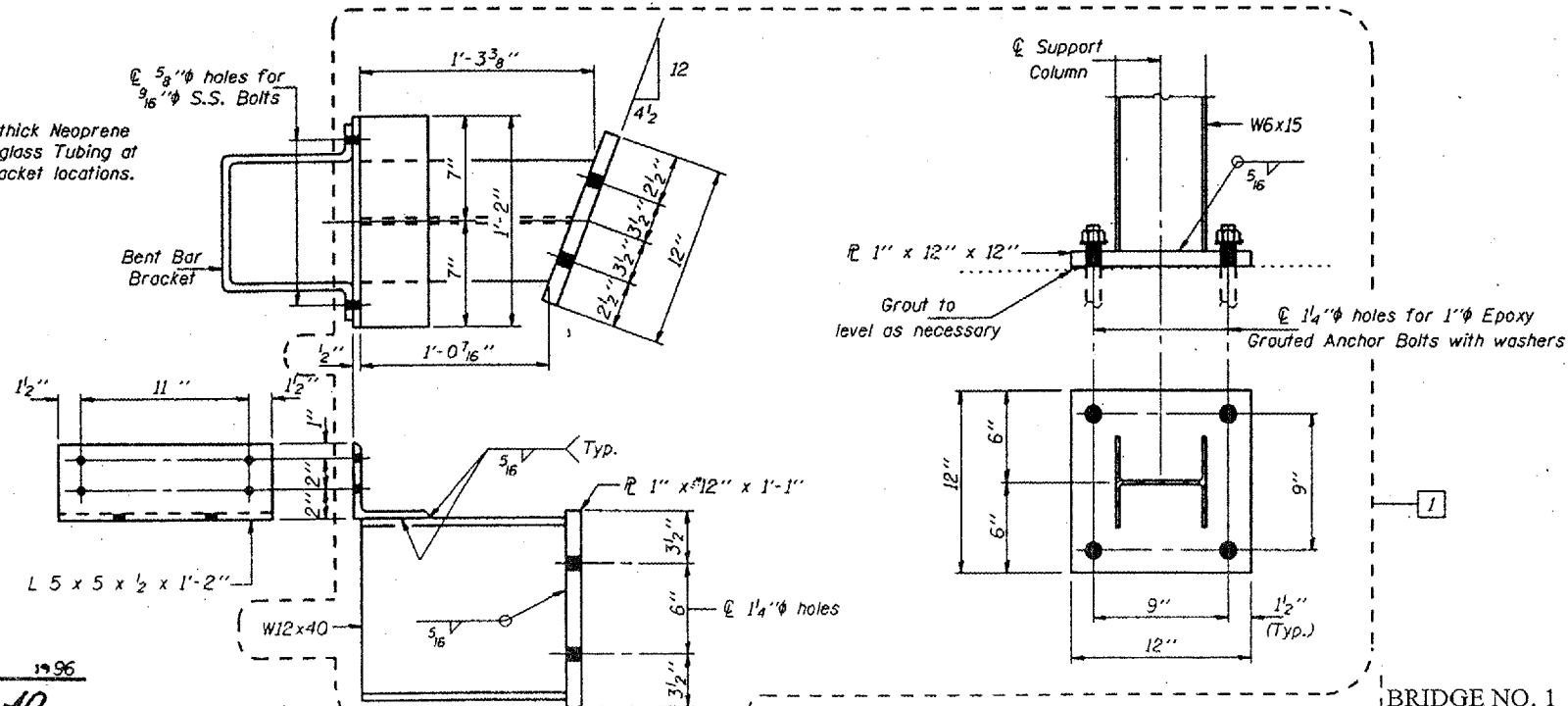
Total No. Req'd.: 4



**BENT BAR BRACKET
DETAIL**

1/4" x 4" x 2'-4 1/2"
Total No. Req'd.: 8

Note: Place 1/8" thick Neoprene around Fiberglass Tubing at Bent Bar Bracket locations.

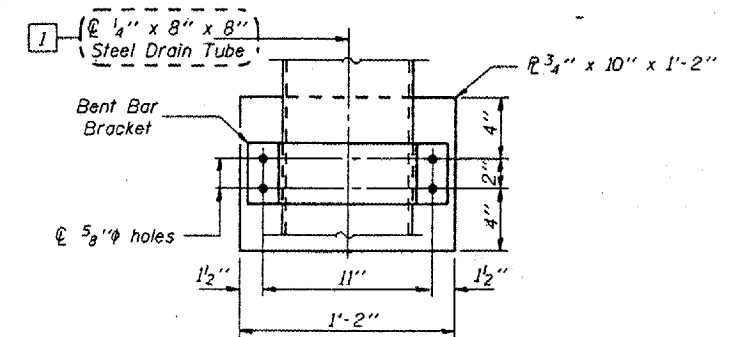


SUPPORT BRACKET

Total No. Req'd.: 4

SECTION F-F

Total No. Req'd.: 4



VIEW G-G

DRAIN DETAILS

F.A.I. 57 OVER MISSISSIPPI RIVER

SEC. 02-1B-1

ALEXANDER COUNTY

S.N. 002-0022

DESIGNED	DAH KPS	AUGUST 21	1996
CHECKED	NJS	EXAMINED	<i>John E. Adams</i>
DRAWN	Dierbert	PASSED	
CHECKED	NJS KPS		

ENGINEER OF BRIDGES AND STRUCTURES

BRIDGE NO. 1
STRUCTURE NO. 002-0022
FOR INFORMATION ONLY