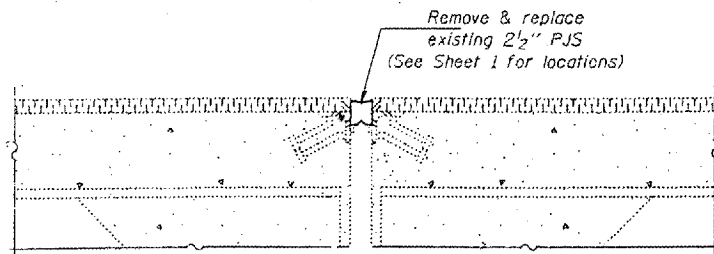
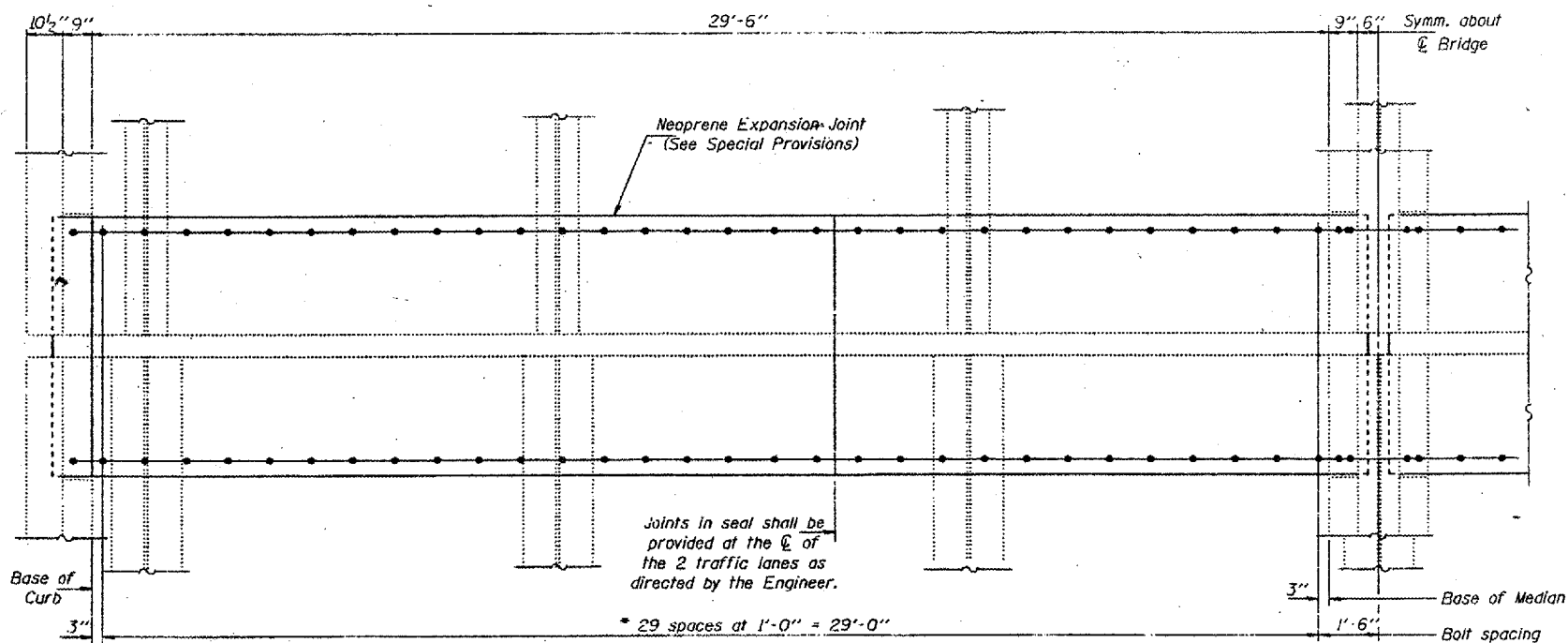
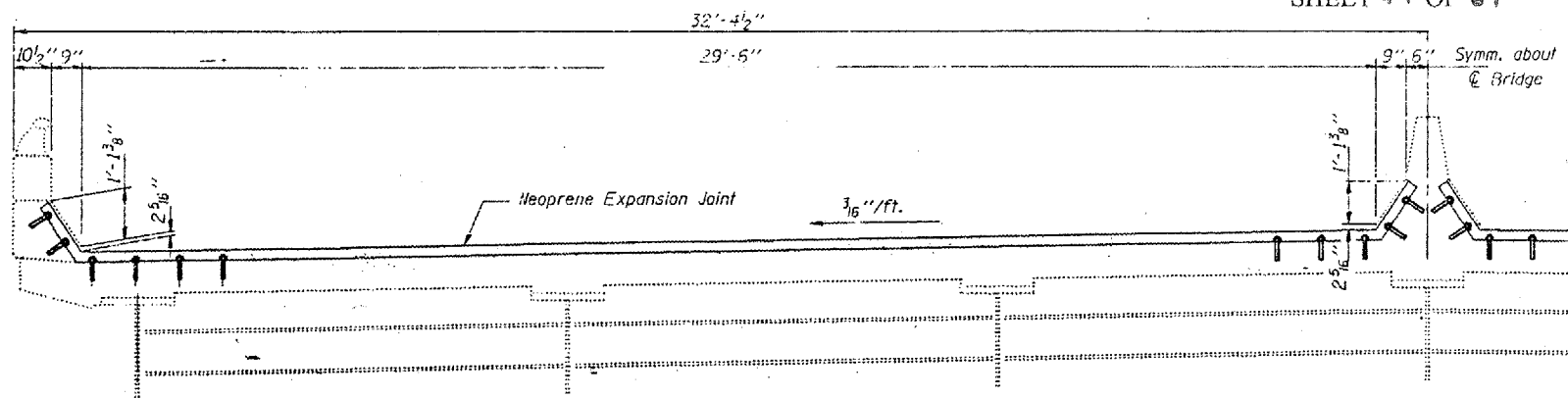
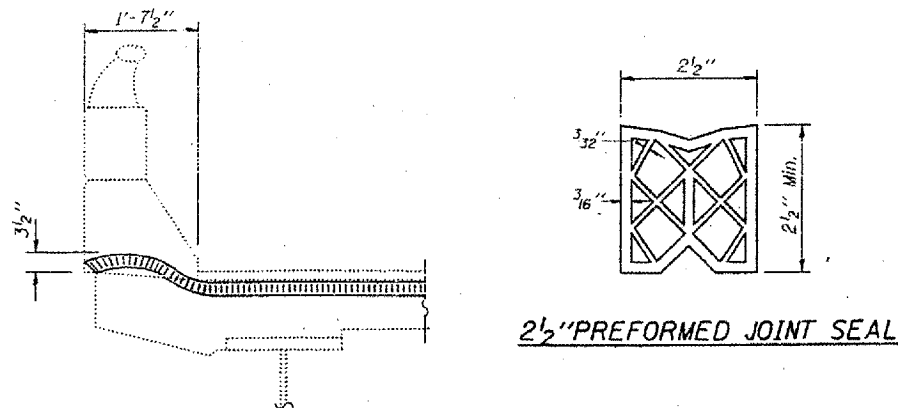


STATE OF ILLINOIS
DEPARTMENT OF TRANSPORTATION

CONTRACT NO. 98940
ROUTE FAI-57
(02-1B-1) P1
ALEXANDER COUNTY
SHEET 49 OF 67

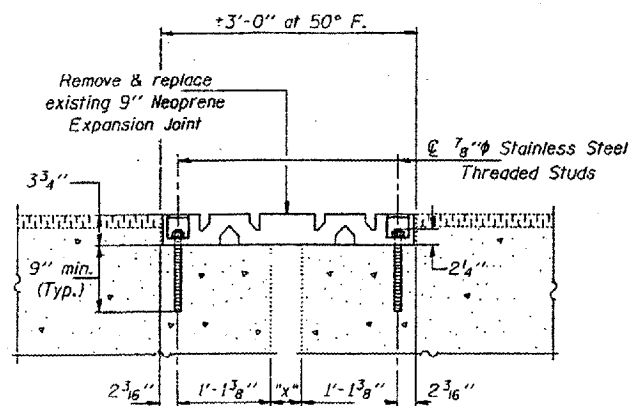


SECTION THRU PJS JOINTS



EXPANSION GUARD - SPANS 4 & 6
(Piers 4 & 7)

* Remove existing 7/8" studs by flame cutting and grind flush with top of concrete. Epoxy grout new 7/8" Stainless Steel threaded studs in 1/8" x 9" (min.) drilled holes.



Temp. (°F.)	Dim. "x"
150	3 1/4"
110	1 3/8"
90	2 1/2"
70	3 3/8"
50	4 1/8"
30	5 1/8"
10	6"
-10	6 3/8"
-30	7 3/4"

DESIGNED	KPS	AUGUST 21	1996
CHECKED	NJS	EXAMINED	<i>John E. Adam</i> ENGINEER OF STRUCTURAL SERVICES
DRAWN	D-forbart	PASSED	ENGINEER OF BRIDGES AND STRUCTURES
CHECKED	NJS KPS		

BRIDGE NO. 1
STRUCTURE NO. 002-0022
FOR INFORMATION ONLY

BRIDGE REPAIRS
F.A.I. 57 OVER MISSISSIPPI RIVER
SEC. 02-1B-1
ALEXANDER COUNTY
S.N. 002-0022