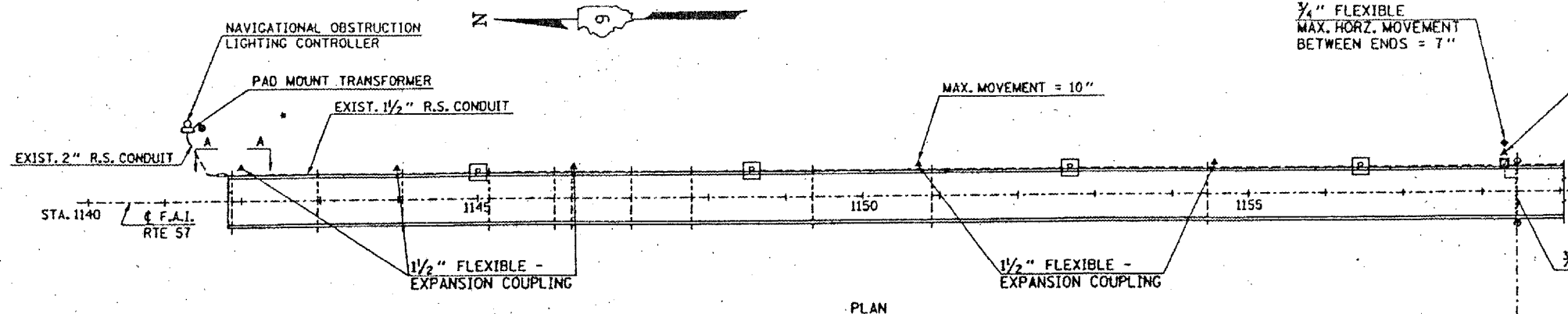
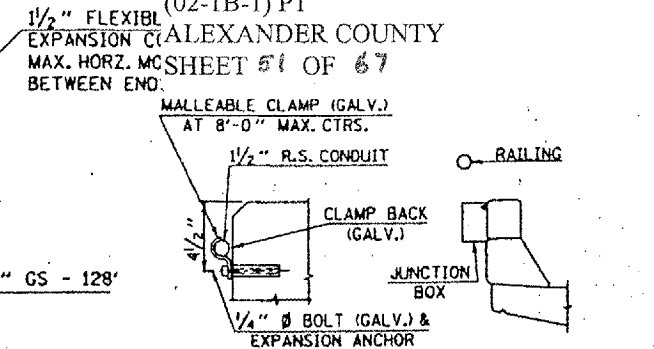


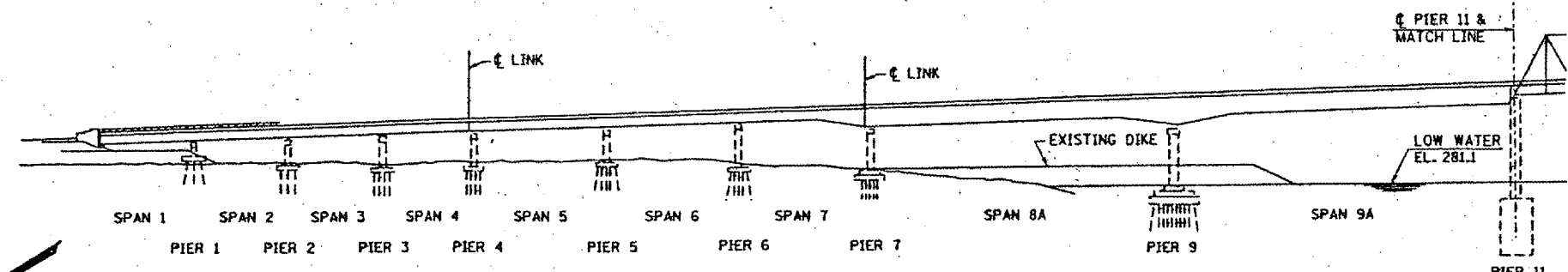
CONTRACT NO. 98940
 ROUTE FAI-57
 (02-1B-1) P1
 ALEXANDER COUNTY
 SHEET 51 OF 67



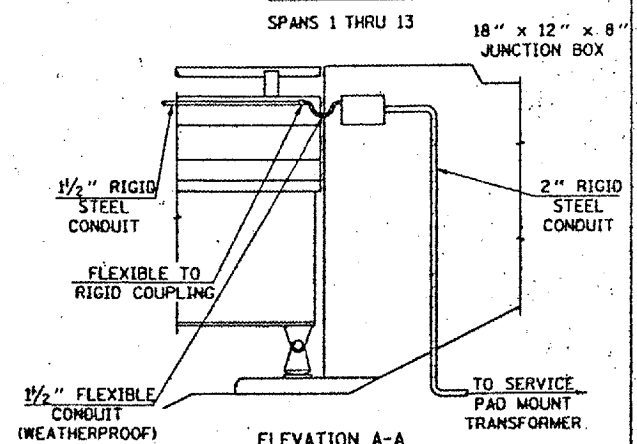
PLAN



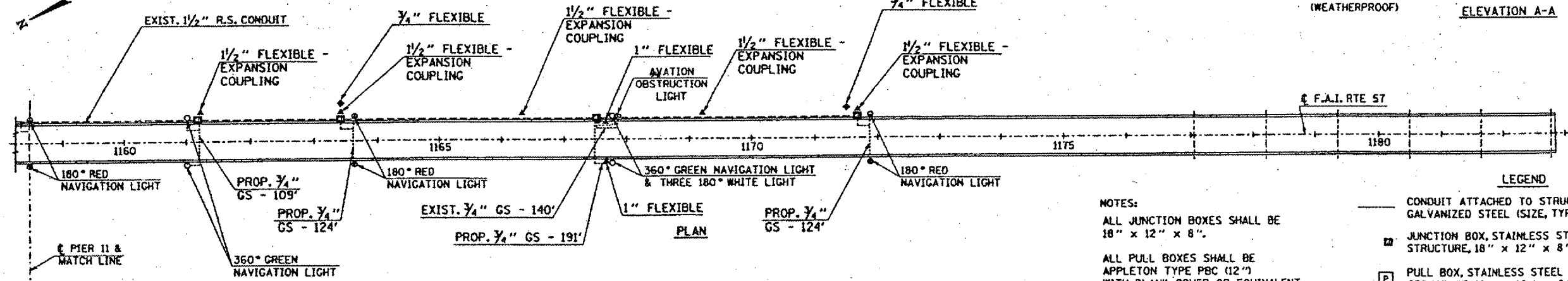
TYPICAL SECTION THROUGH EAST PARAPET



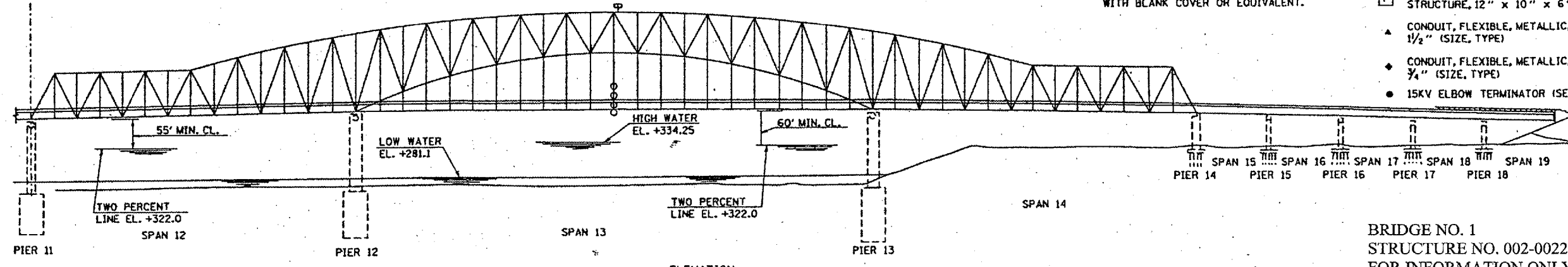
ELEVATION



ELEVATION A-A



PLAN



ELEVATION

NOTES:
 ALL JUNCTION BOXES SHALL BE 18" x 12" x 8".
 ALL PULL BOXES SHALL BE APPLETON TYPE PBC (12") WITH BLANK COVER OR EQUIVALENT.

- LEGEND
- CONDUIT ATTACHED TO STRUCTURE, 3/4" DIA. GALVANIZED STEEL (SIZE, TYPE, LENGTH)
 - ▣ JUNCTION BOX, STAINLESS STEEL, ATTACHED TO STRUCTURE, 18" x 12" x 8"
 - ▢ PULL BOX, STAINLESS STEEL ATTACHED TO STRUCTURE, 12" x 10" x 6"
 - ▲ CONDUIT, FLEXIBLE, METALLIC, WEATHERPROOF, 1/2" (SIZE, TYPE)
 - ◆ CONDUIT, FLEXIBLE, METALLIC, WEATHERPROOF, 3/4" (SIZE, TYPE)
 - 15KV ELBOW TERMINATOR (SEE PAGE 8)

BRIDGE NO. 1
 STRUCTURE NO. 002-0022
 FOR INFORMATION ONLY