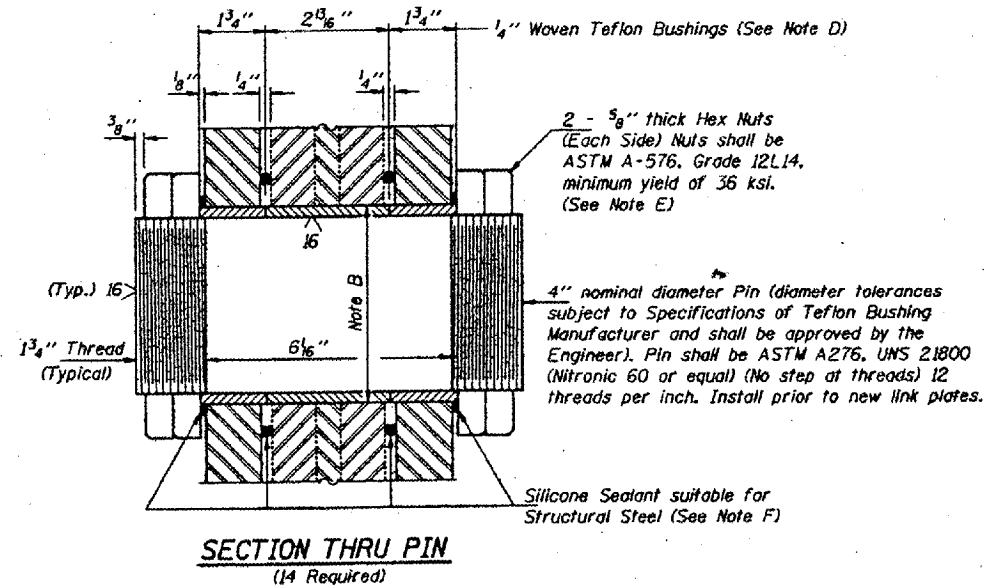
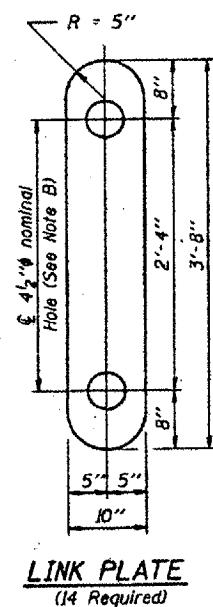
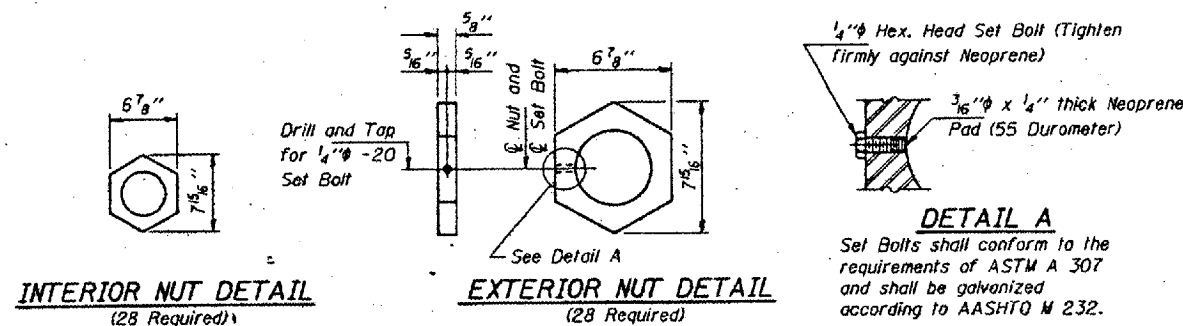
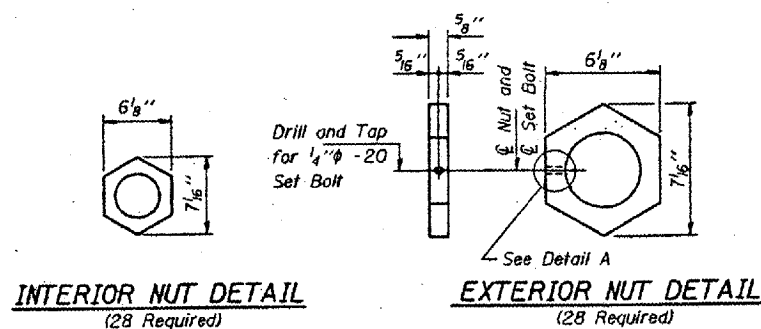
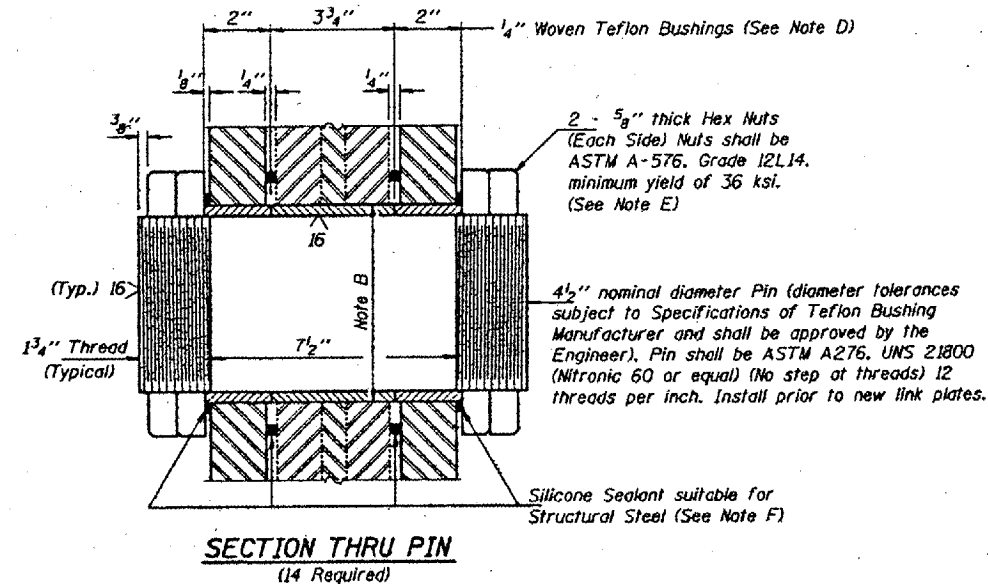
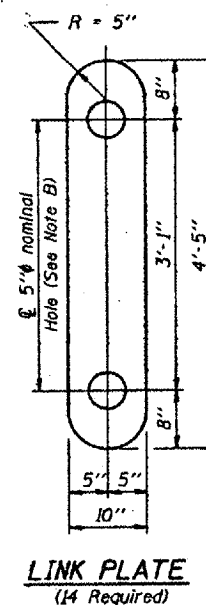


STATE OF ILLINOIS
DEPARTMENT OF TRANSPORTATION

CONTRACT NO. 98940
ROUTE FAI-57
(02-1B-1) P1
ALEXANDER COUNTY
SHEET 64 OF 67



PIN ASSEMBLY SPAN 4



PIN ASSEMBLY SPAN 7

Notes: For notes A thru G see sheet 2 of 13.

DESIGNED	VHV
CHECKED	CME
DRAWN	Paul Summer
CHECKED	VHV CME

FEBRUARY 19, 1998

EXAMINED *Joseph E. Adams*
ENGINEER OF STRUCTURAL SERVICES

PASSED
ENGINEER OF BRIDGES AND STRUCTURES

BRIDGE NO. 1
STRUCTURE NO. 002-0022
FOR INFORMATION ONLY

PIN AND LINK PLATE REPLACEMENT
SPANS 4 AND 7
F.A.I. ROUTE 57 SEC. 02-1B-1
ALEXANDER COUNTY
STA. 1168+50
STR. No. 002-0022