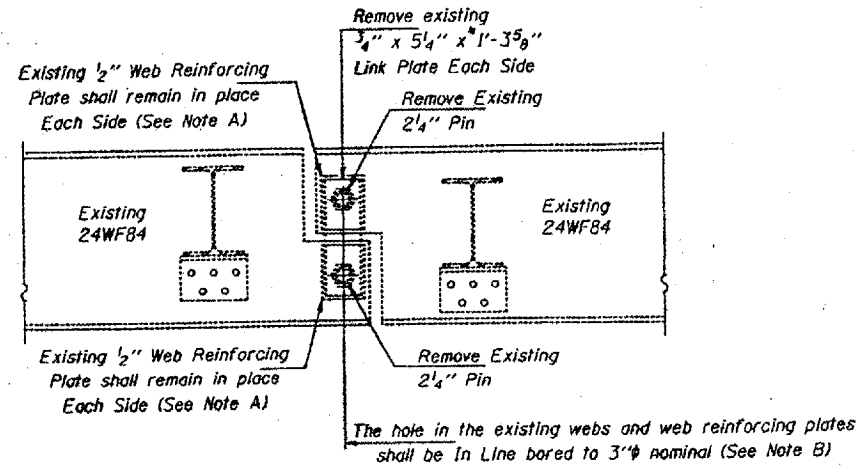


STATE OF ILLINOIS  
DEPARTMENT OF TRANSPORTATION

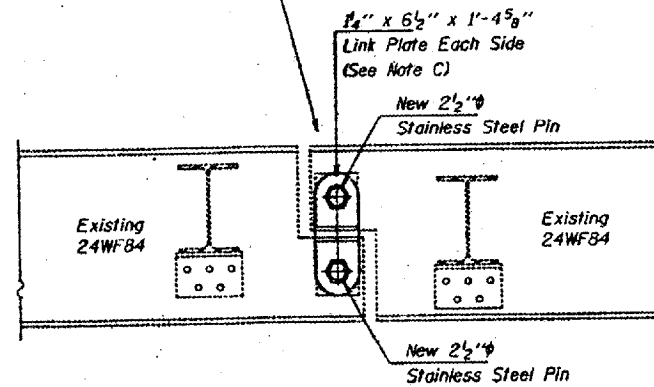
CONTRACT NO. 98940  
ROUTE FAI-57  
(02-1B-1) P1  
ALEXANDER COUNTY  
SHEET 55 OF 67



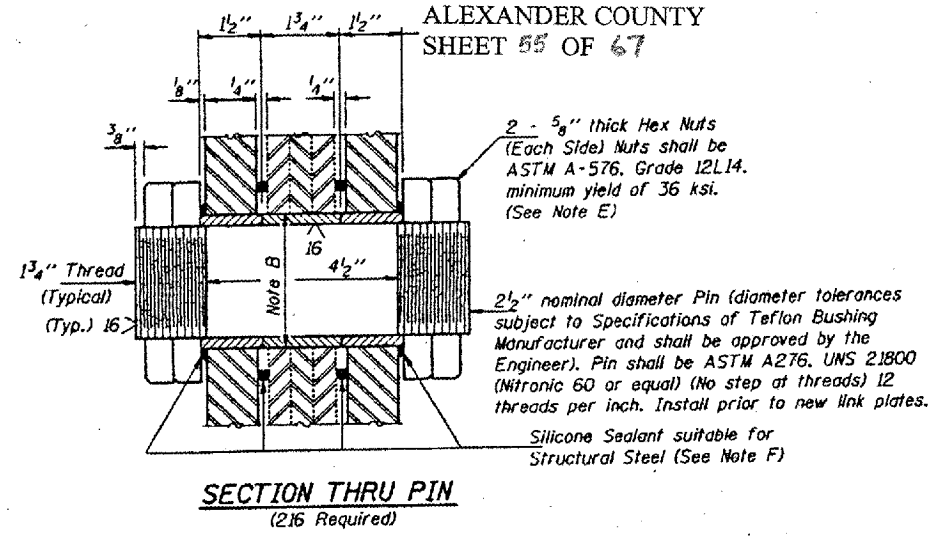
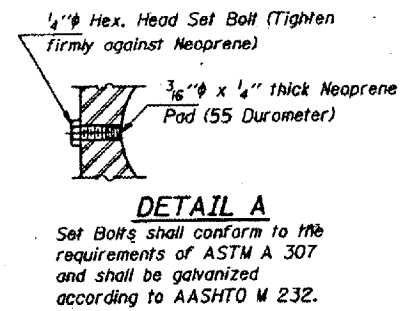
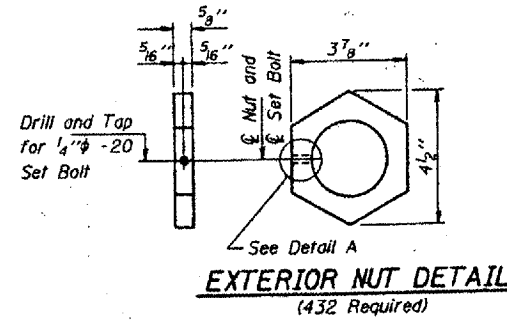
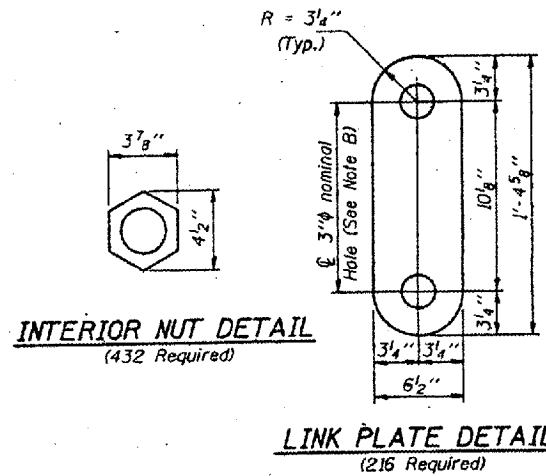
**ELEVATION AT EXISTING PIN ASSEMBLY**  
**SPANS 12, 13 AND 14**

Any Pins that can be easily removed without damage to the pin shall be salvaged and the Bridge Engineer shall be contacted for disposition. Cost of salvage is included in "Pin and Link Plate Replacement".

If the existing deck interferes with the new link plates, concrete shall be removed to provide clearance for the new pins and link plates. Cost shall be included in the cost of "Pin and Link Plate Replacement".



**ELEVATION AT NEW PIN ASSEMBLY**  
**SPANS 12, 13 AND 14**



**MAXIMUM REACTIONS AT PIN**

RP	(K)	12.9
R <sub>t</sub>	(K)	36.9
Imp.	(K)	11.0
R (Total)	(K)	60.8

DESIGNED	VHV
CHECKED	CME
DRAWN	Paul Sumner
CHECKED	VHV CME

FEBRUARY 19, 1998  
EXAMINED *John E. Adams*  
ENGINEER OF STRUCTURAL SERVICES  
PASSED  
ENGINEER OF BRIDGES AND STRUCTURES

BRIDGE NO. 1  
STRUCTURE NO. 002-0022  
FOR INFORMATION ONLY

**PIN AND LINK PLATE REPLACEMENT**  
**SPANS 12, 13 AND 14**  
**F.A.I. ROUTE 57 SEC. 02-1B-1**  
**ALEXANDER COUNTY**  
**STA. 1168+50**  
**STR. No. 002-0022**

Notes: For notes A thru F see sheet 2 of 13.