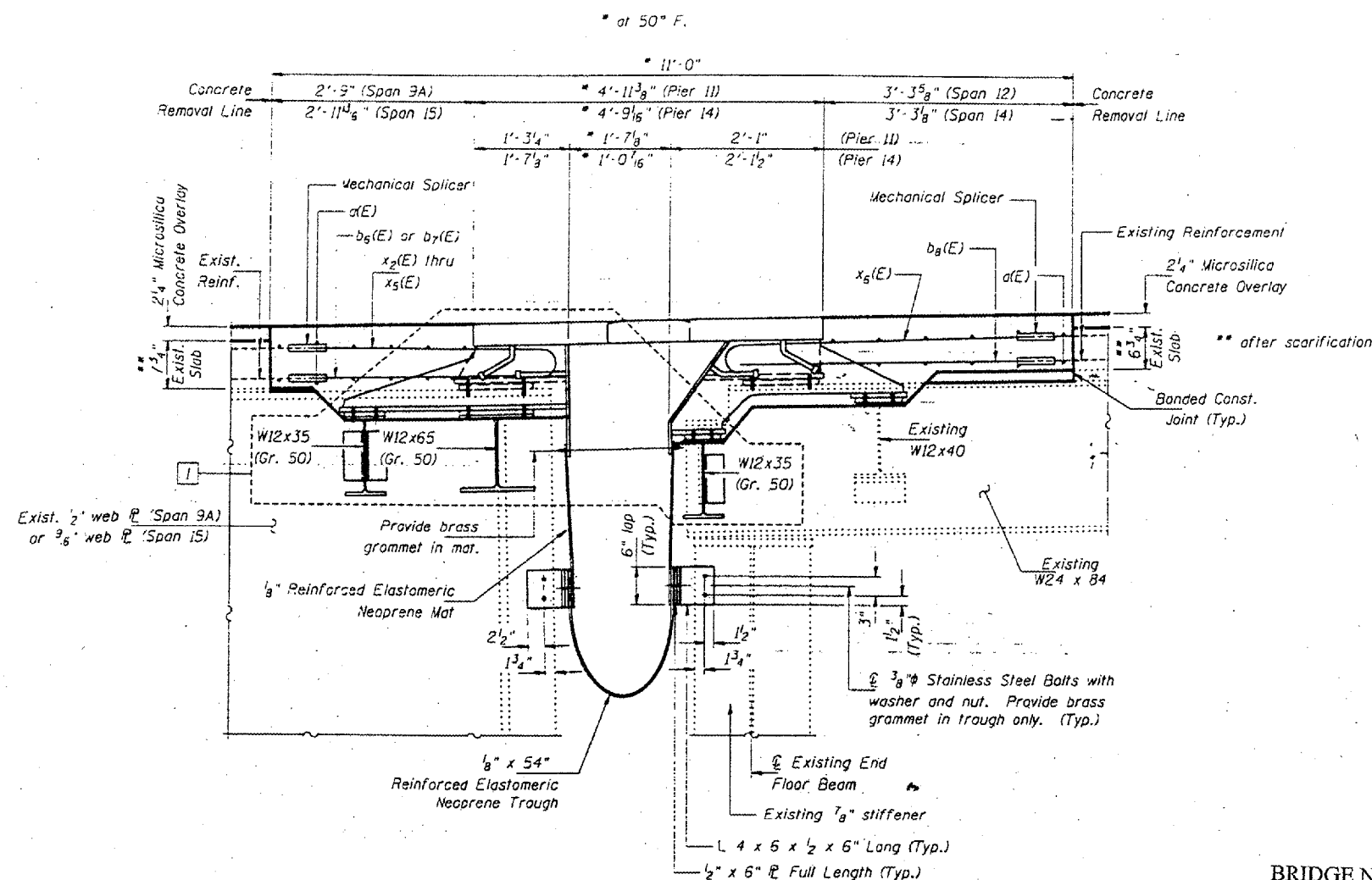


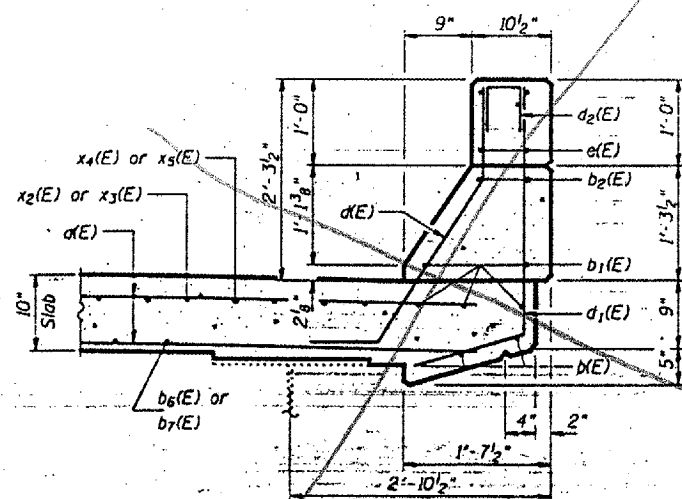
STATE OF ILLINOIS
DEPARTMENT OF TRANSPORTATION

CONTRACT NO. 98940
ROUTE FAI-57
(02-1B-1) P1
ALEXANDER COUNTY
SHEET 57 OF 67

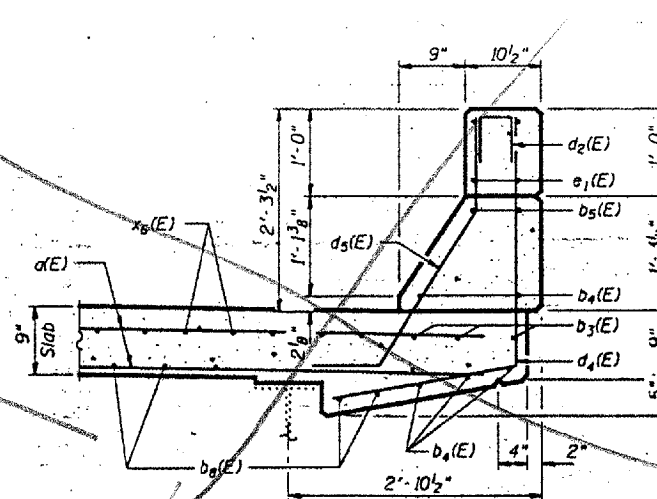


SECTION B-B
Pier 11 shown; Pier 14 similar

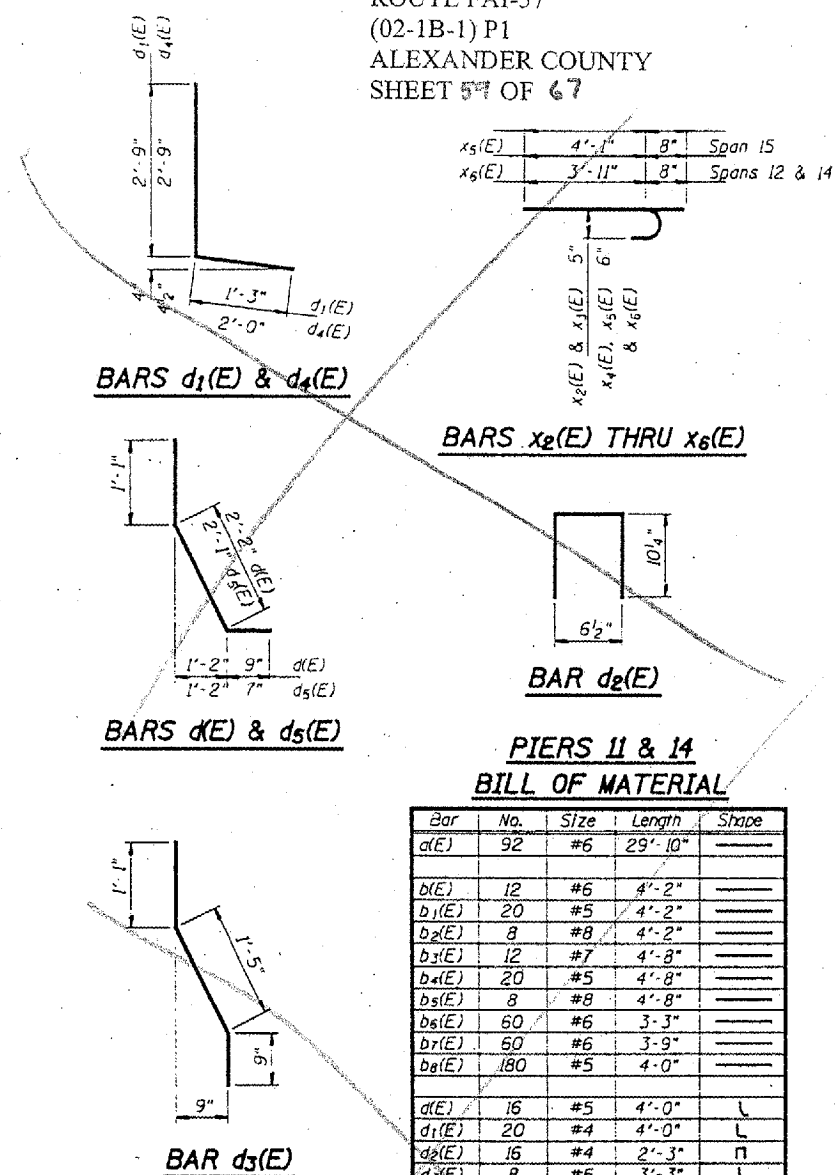
BRIDGE NO. 1
STRUCTURE NO. 002-0022
FOR INFORMATION ONLY



SECTION THRU CURB - SPAN 9A & 15



SECTION THRU CURB - SPAN 12 & 14



PIERS 11 & 14
BILL OF MATERIAL

Bar	No.	Size	Length	Shape
a(E)	92	#6	29'-10"	—
b(E)	12	#6	4'-2"	—
b1(E)	20	#5	4'-2"	—
b2(E)	8	#8	4'-2"	—
b3(E)	12	#7	4'-8"	—
b4(E)	20	#5	4'-8"	—
b5(E)	8	#8	4'-8"	—
b6(E)	60	#6	3'-3"	—
b7(E)	50	#6	3'-9"	—
b8(E)	180	#5	4'-0"	—
d(E)	16	#5	4'-0"	L
d1(E)	20	#4	4'-0"	L
d2(E)	16	#4	2'-3"	Π
d3(E)	8	#5	3'-3"	L
d4(E)	24	#4	4'-9"	L
d5(E)	20	#5	3'-9"	L
e(E)	16	#4	4'-2"	—
e1(E)	16	#4	4'-8"	—
x2(E)	60	#5	3'-10"	J
x3(E)	60	#5	4'-2"	J
x4(E)	58	#6	4'-5"	J
x5(E)	58	#6	4'-9"	J
x6(E)	236	#6	4'-7"	J
Reinforcement Bars, Epoxy Coated		Pound	9410	
Concrete Superstructure		Cu. Yds.	33.6	
Concrete Removal		Cu. Yds.	31.7	
Mechanical Splice		Each	768	

Reinforcement bars designated (E) shall be epoxy coated.

EXPANSION JOINT DETAILS - PIER 11 & 14
F.A.I. 57 OVER MISSISSIPPI RIVER
ALEXANDER COUNTY
S.N. 002-0022

DESIGNED	P.S.J.	FEBRUARY 4, 2002
CHECKED	A.T.H.	EXAMINED <i>John A. Morris</i>
DRAWN	John F. Schmitter Jr.	ENGINEER OF STRUCTURAL SERVICES
CHECKED	A.T.H., P.S.J.	PASSED
		ENGINEER OF BRIDGES AND STRUCTURES