

STATE OF ILLINOIS  
DEPARTMENT OF TRANSPORTATION

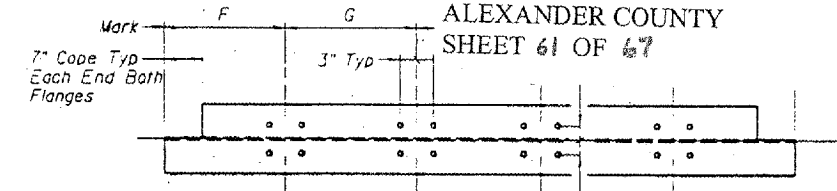
CONTRACT NO. 98940  
ROUTE FAI-57  
(02-1B-1) P1  
ALEXANDER COUNTY  
SHEET 61 OF 67

FRONT STOOL SUPPORT SPAN 9A

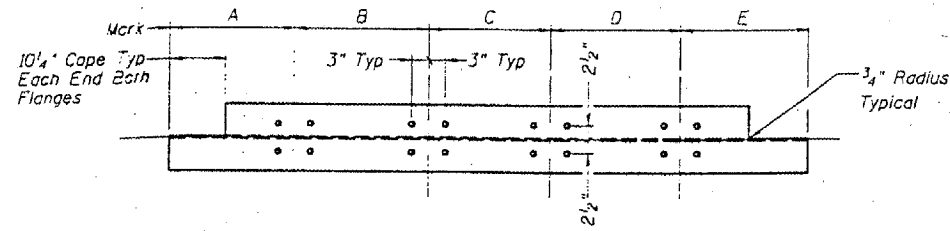
Mark	A	B	C	D	E	No. Req'd
SA1	1'-10 <sup>1</sup> / <sub>2</sub> "	2'-0"	1'-10"	2'-0"	1'-10 <sup>1</sup> / <sub>2</sub> "	2
SA2	1'-10 <sup>1</sup> / <sub>2</sub> "	1'-10"	1'-10"	1'-10"	2'-2 <sup>1</sup> / <sub>2</sub> "	1
SA3	2'-2 <sup>1</sup> / <sub>2</sub> "	1'-10"	1'-10"	1'-10"	1'-10 <sup>1</sup> / <sub>2</sub> "	1
SA4	1'-10 <sup>1</sup> / <sub>2</sub> "	2'-0"	1'-10"	2'-0"	1'-10 <sup>1</sup> / <sub>2</sub> "	2

FRONT STOOL SUPPORT SPAN 15

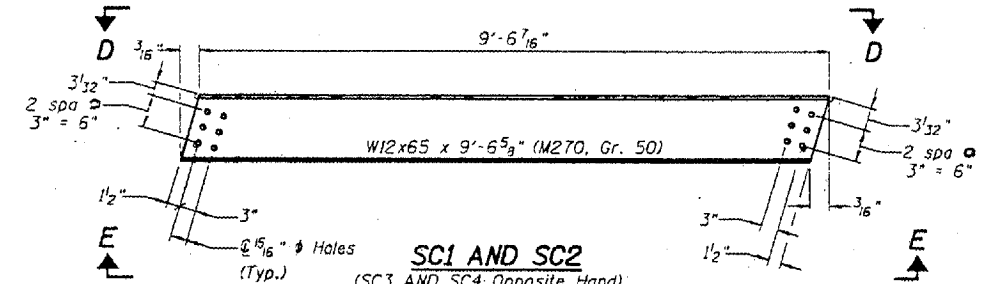
Mark	F	G	H	J	K	No. Req'd
SC1	1'-10 <sup>3</sup> / <sub>2</sub> "	2'-0"	1'-10"	2'-0"	1'-10 <sup>3</sup> / <sub>2</sub> "	2
SC2	1'-10 <sup>1</sup> / <sub>2</sub> "	1'-10"	1'-10"	1'-10"	2'-2 <sup>1</sup> / <sub>2</sub> "	1
SC3	2'-2 <sup>1</sup> / <sub>2</sub> "	1'-10"	1'-10"	1'-10"	1'-10 <sup>1</sup> / <sub>2</sub> "	1
SC4	1'-10 <sup>3</sup> / <sub>2</sub> "	2'-0"	1'-10"	2'-0"	1'-10 <sup>3</sup> / <sub>2</sub> "	2



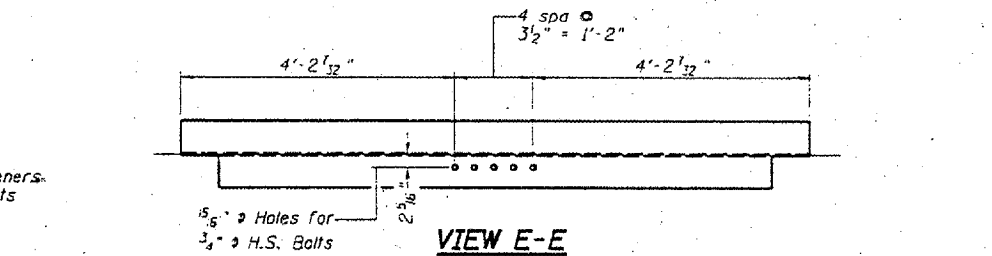
VIEW D-D  
(No opposite hand required)



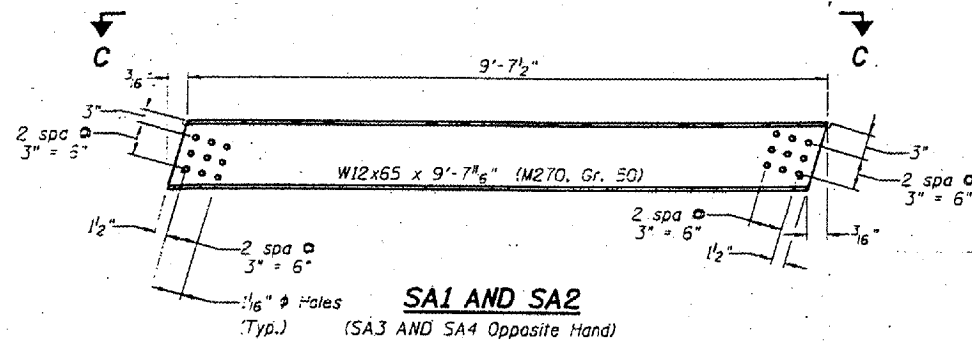
VIEW C-C  
(No opposite hand required)



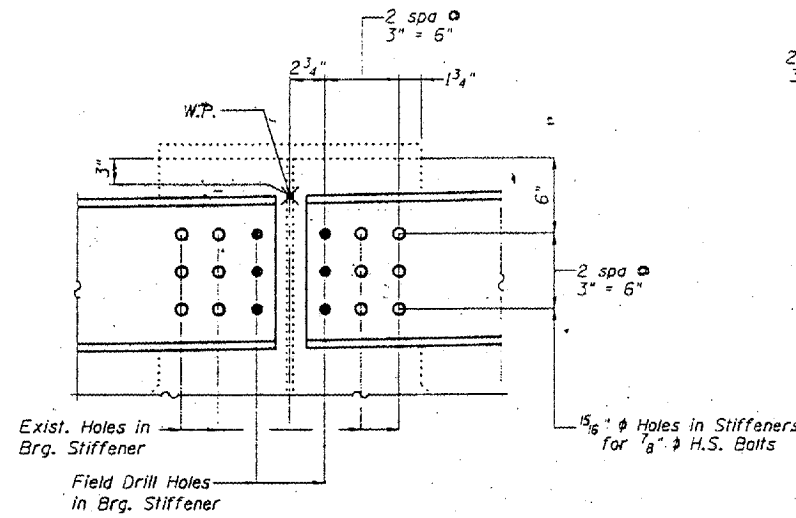
SC1 AND SC2  
(SC3 AND SC4 Opposite Hand)



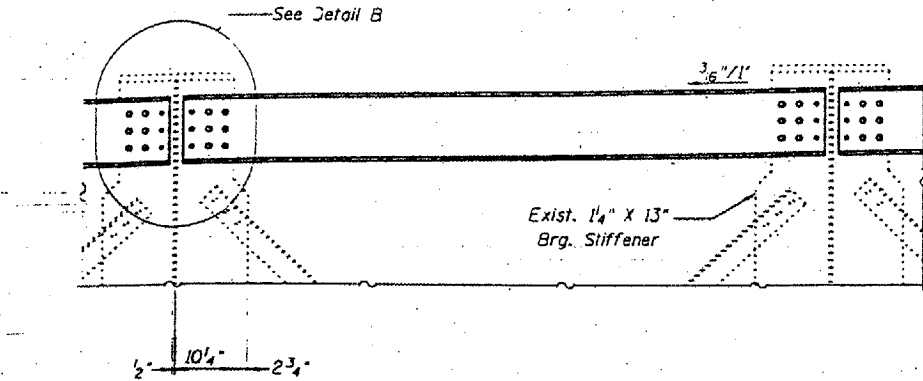
VIEW E-E  
(No opposite hand required)



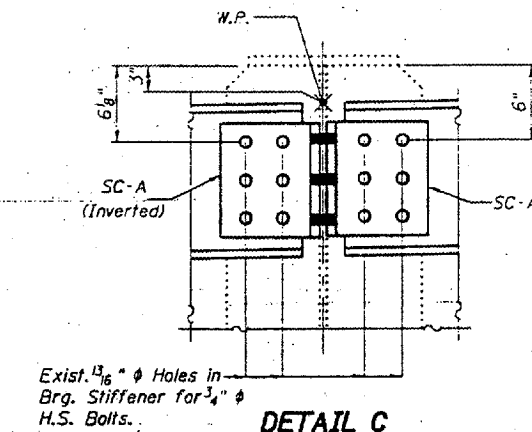
SA1 AND SA2  
(SA3 AND SA4 Opposite Hand)



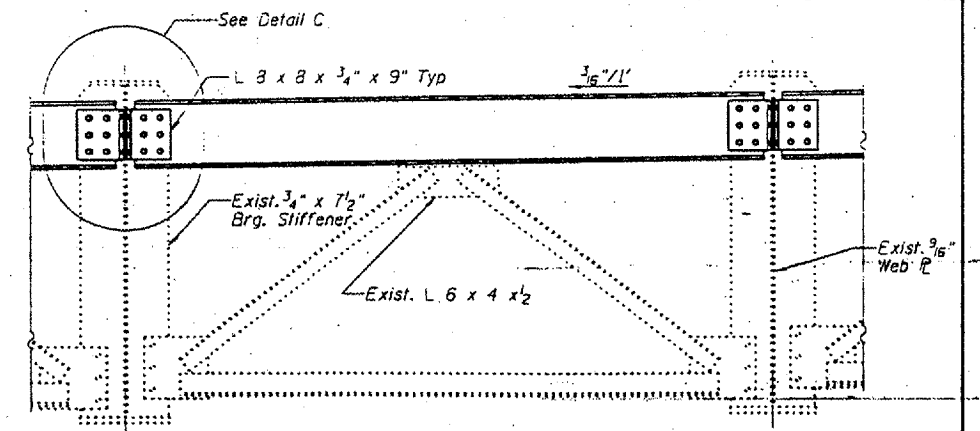
DETAIL B



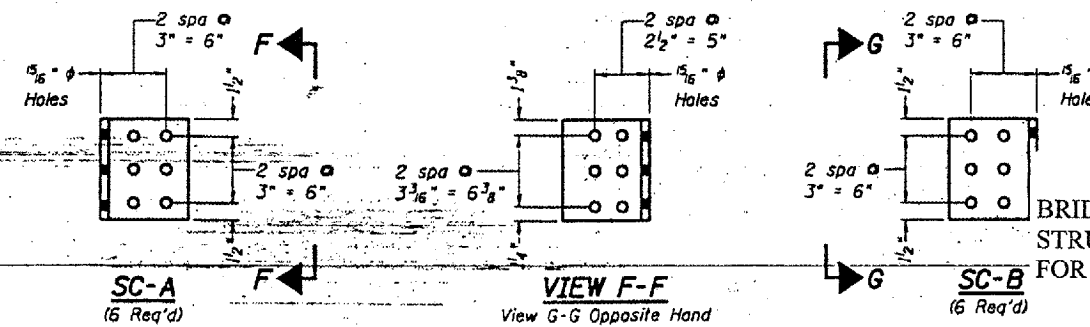
FRONT STOOL SUPPORT - SPAN 9A



DETAIL C



FRONT STOOL SUPPORT - SPAN 15



SC-A  
(6 Req'd)

VIEW F-F  
View G-G Opposite Hand

SC-B  
(6 Req'd)

BRIDGE NO. 1  
STRUCTURE NO. 002-0022  
FOR INFORMATION ONLY

STOOL SUPPORT DETAILS  
F.A.I. 57 OVER MISSISSIPPI RIVER  
ALEXANDER COUNTY  
S.N. 002-0022

DESIGNED	P.S.J.	EXAMINED	John A. Morris
CHECKED	A.T.H.	ENGINEER OF STRUCTURAL SERVICES	
DRAWN	Draw Christopher	PREPARED	ENGINEER OF BRIDGES AND STRUCTURES
CHECKED	A.T.H. P.S.J.		