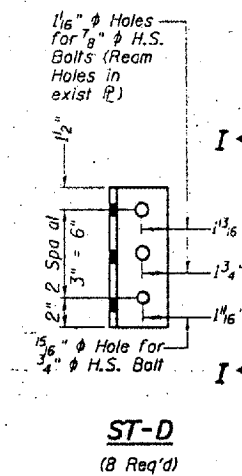
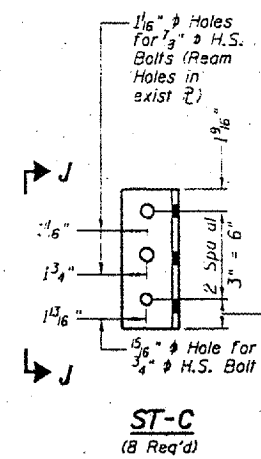
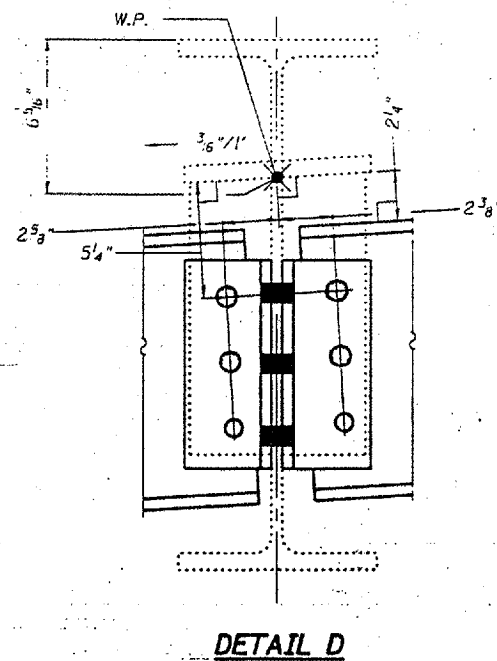
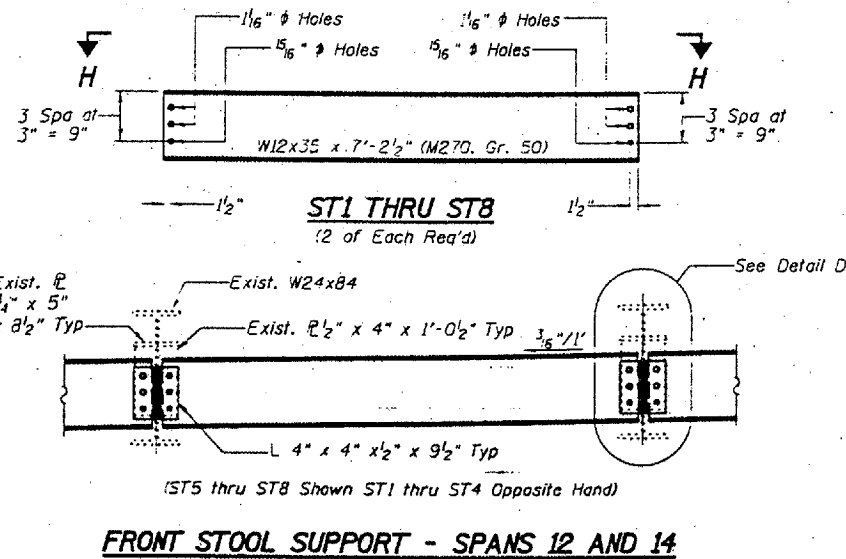
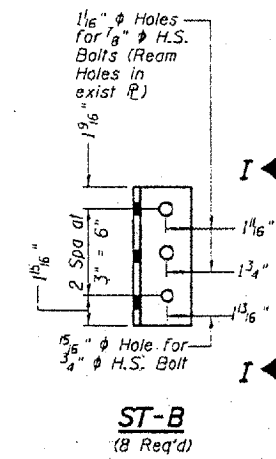
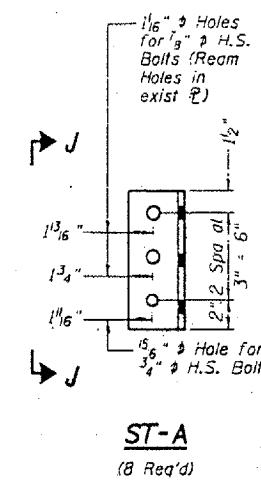
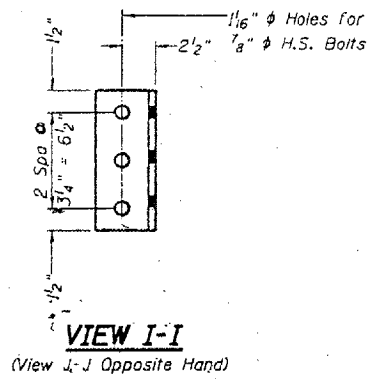
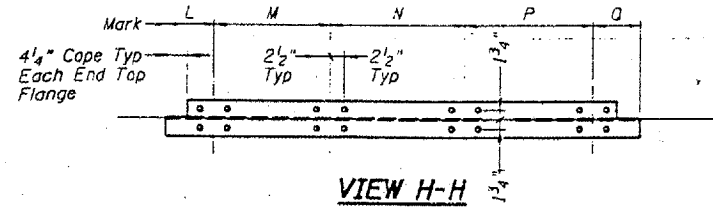


FRONT STOOL SUPPORT

Mark	L	M	N	P	Q
ST1	1'-1"	1'-6 1/4"	1'-11 1/4"	1'-6 1/4"	1'-1 3/4"
ST2	9"	1'-9 1/4"	2'-0"	1'-11 1/2"	8 3/4"
ST3	1'-1"	1'-6 1/4"	1'-11 1/4"	1'-11 1/4"	8 3/4"
ST4	1'-7 1/4"	1'-7 1/2"	1'-7 1/2"	1'-7 3/4"	8 1/2"
ST5	8 1/2"	1'-7 3/4"	1'-7 1/2"	1'-7 1/2"	1'-7 1/4"
ST6	8 3/4"	1'-11 1/4"	1'-11 1/4"	1'-6 1/4"	1'-1"
ST7	8 3/4"	1'-11 1/2"	2'-0"	1'-9 1/4"	9"
ST8	1'-1 3/4"	1'-6 1/4"	1'-11 1/4"	1'-6 1/4"	1'-1"



DESIGNED	P.S.J.
CHECKED	A.T.H.
DRAWN	Drew Christopher
CHECKED	P.S.J. A.T.H.

EXAMINED *John A. Morris*
ENGINEER OF STRUCTURAL SERVICES

PREPARED
ENGINEER OF SPECIES AND STRUCTURES

BRIDGE NO. 1
STRUCTURE NO. 002-0022
FOR INFORMATION ONLY

STOOL SUPPORT DETAILS
F.A.I. 57 OVER MISSISSIPPI RIVER
ALEXANDER COUNTY
S.N. 002-0022