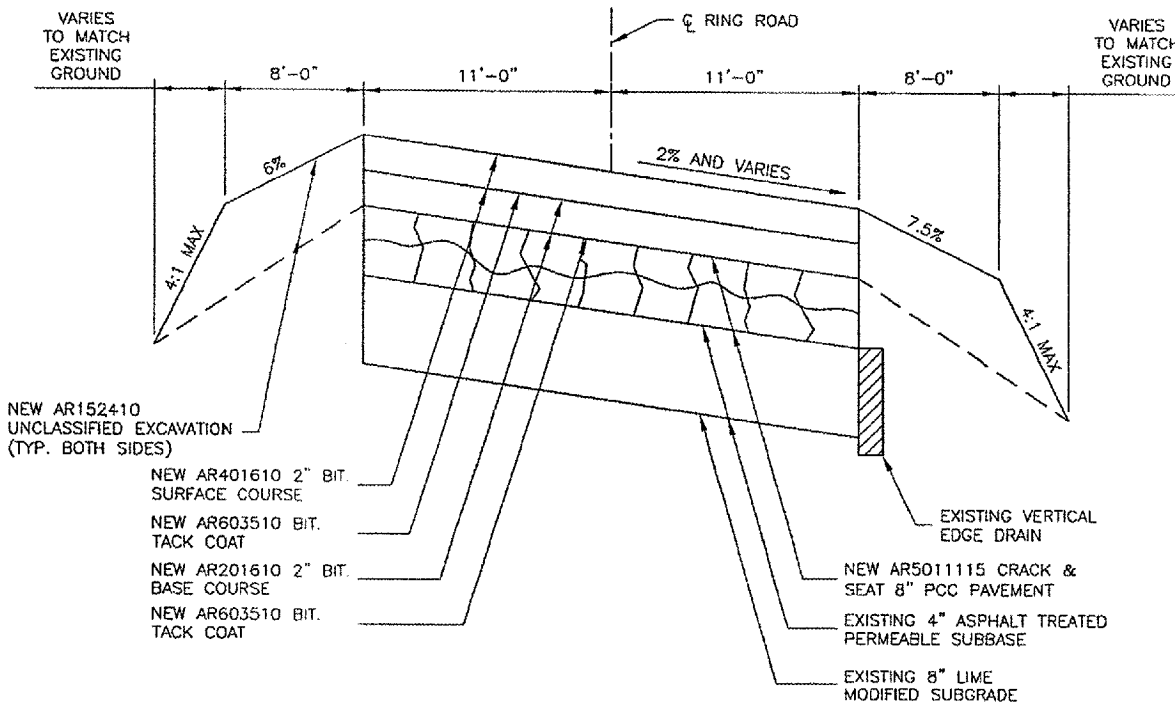
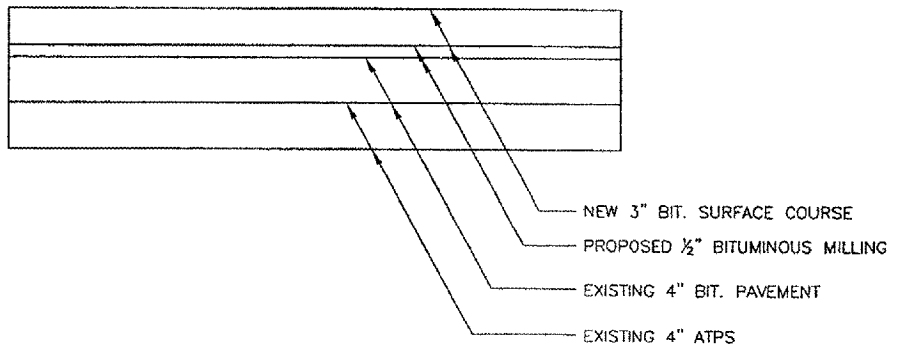


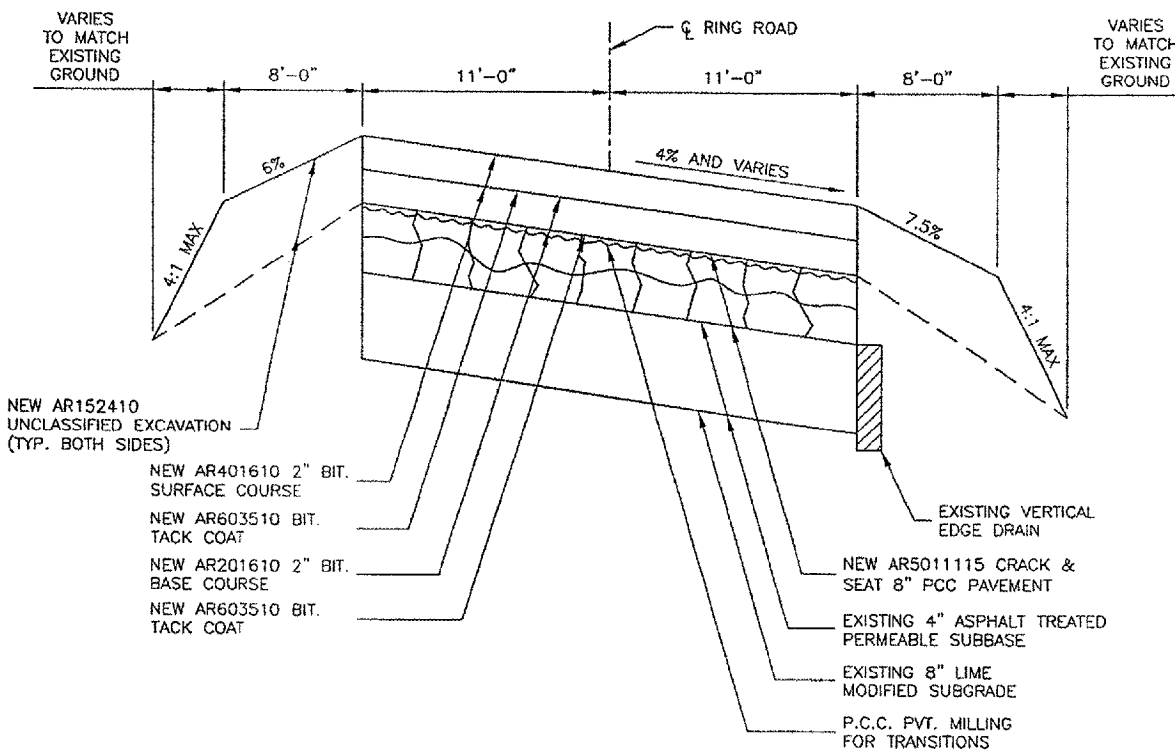
TYPICAL SECTION - RING ROAD (L)
 STA. 30+99.33 TO STA. 37+00.00
 N.T.S.



TYPICAL SECTION - RING ROAD (M)
 STA. 37+00.00 TO STA. 39+46.83
 N.T.S.



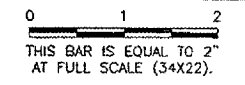
TYPICAL SECTION - PARKING LOT (N)
 N.T.S.



TYPICAL SECTION - RING ROAD (O)
 STA. 39+46.83 TO STA. 41+83.62
 N.T.S.

REVISIONS

| NUMBER | BY | DATE |
|--------|----|------|
| | | |
| | | |
| | | |



**UNIVERSITY OF ILLINOIS
 WILLARD AIRPORT
 REHABILITATE TERMINAL PARKING AREA
 TYPICAL SECTIONS SHEET 4**

© Copyright CMT, Inc.
CMT
 CRAWFORD, MERRY & TULLY, INC.
 CONSULTING ENGINEERS
 License No. 04-006618

| | |
|--------------|-----------------|
| DESIGN BY: | SMS |
| DRAWN BY: | CMT |
| CHECKED BY: | JEF |
| APPROVED BY: | SMH |
| DATE: | 11/11/05 |
| JOB No: | 0505903 |
| IL PROJECT: | CMI-3473 |
| SHEET | 18 OF 45 SHEETS |