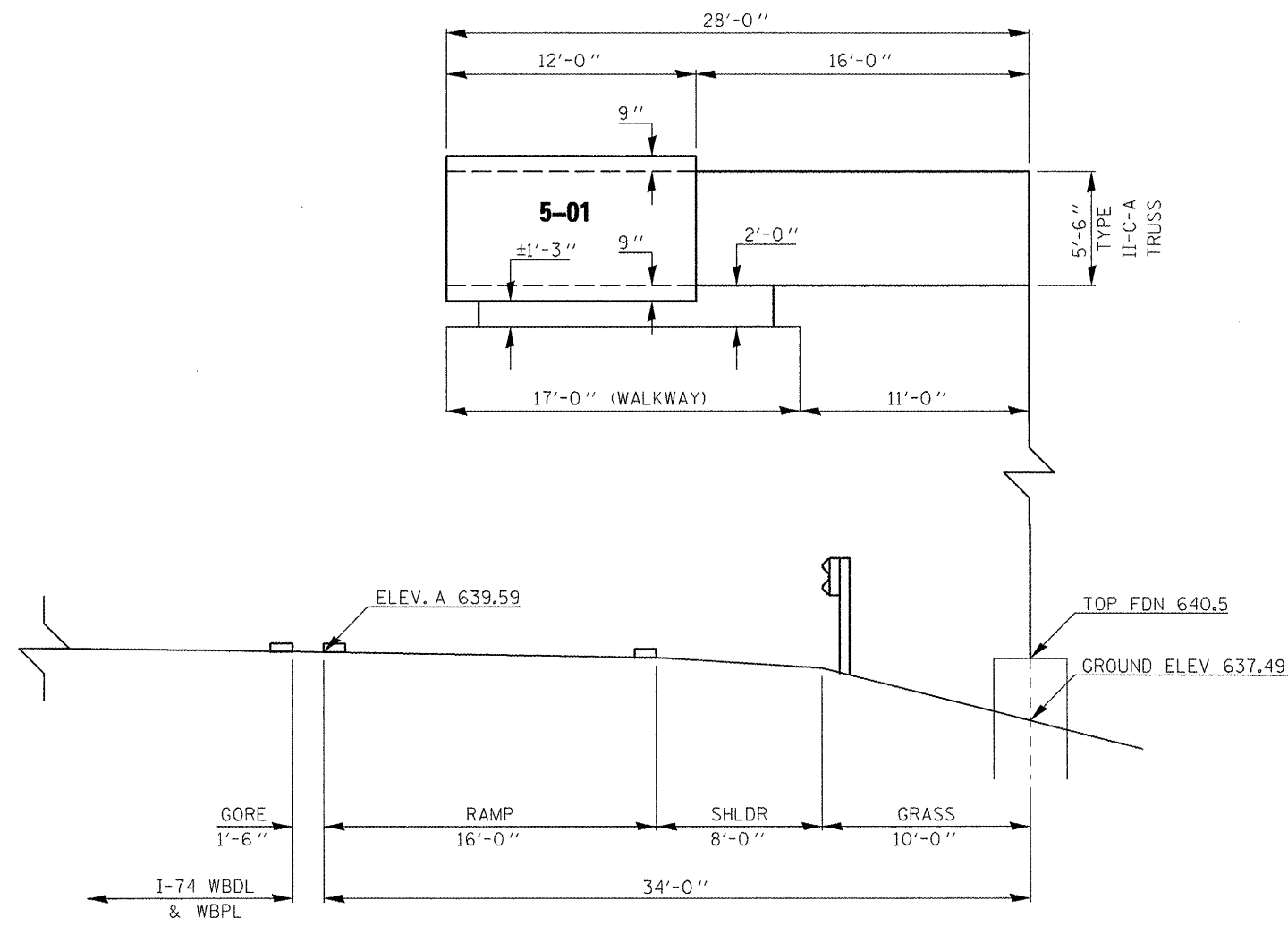


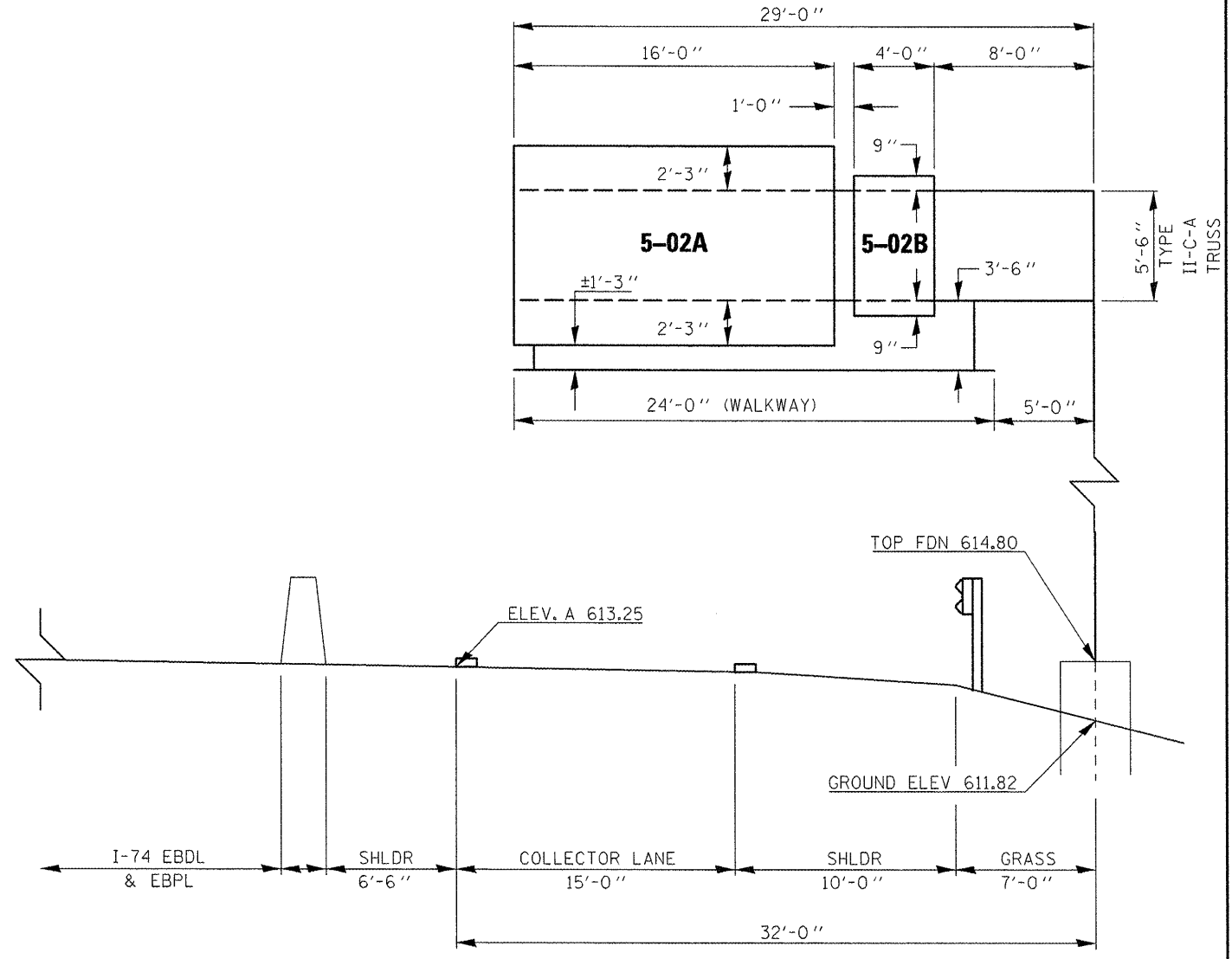
# SIGN TRUSS MOUNTING DETAILS VERMILION COUNTY

**5 C 092 1074 L208.35**

**5 C 092 1074 R214.25**



TEMP. BENCHMARK = CHIS. "X" ON SW ANCHOR BOLT = 639.25 (FROM 1986 PLANS)



TEMP. BENCHMARK = CHIS "X" ON NW ANCHOR BOLT = 615.45 (FROM 1972 PLANS)

FILE NAME =	USER NAME = ceerlookjd	DESIGNED - JAL	REVISED -	<b>STATE OF ILLINOIS DEPARTMENT OF TRANSPORTATION</b>	<b>SIGN TRUSS MOUNTING DETAILS - VERMILION COUNTY</b>	F.A. RTE.	SECTION	COUNTY	TOTAL SHEETS	SHEET NO.	
en:\pwwork\pwwork\ceerlookjd\0266557\046179-shr-details.dgn	PLOT SCALE = 40,0000 ' / 1".	DRAWN -	REVISED -			•	••	Various	178	12	
PLOT DATE = 10/7/2011	DATE = 04/26/11	CHECKED -	REVISED -			CONTRACT NO. 46179					
						ILLINOIS FED. AID PROJECT					

•VARIOUS COUNTIES  
••D-5 OVD SIN STR REPL 2012-06

SCALE: SHEET NO. 1 OF 10 SHEETS STA. TO STA.