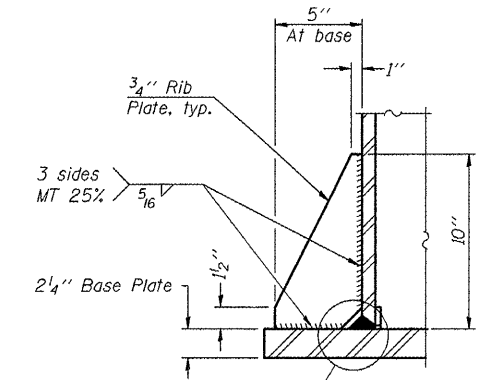
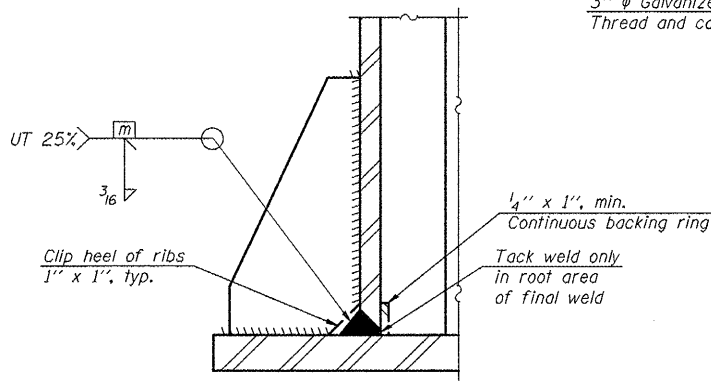


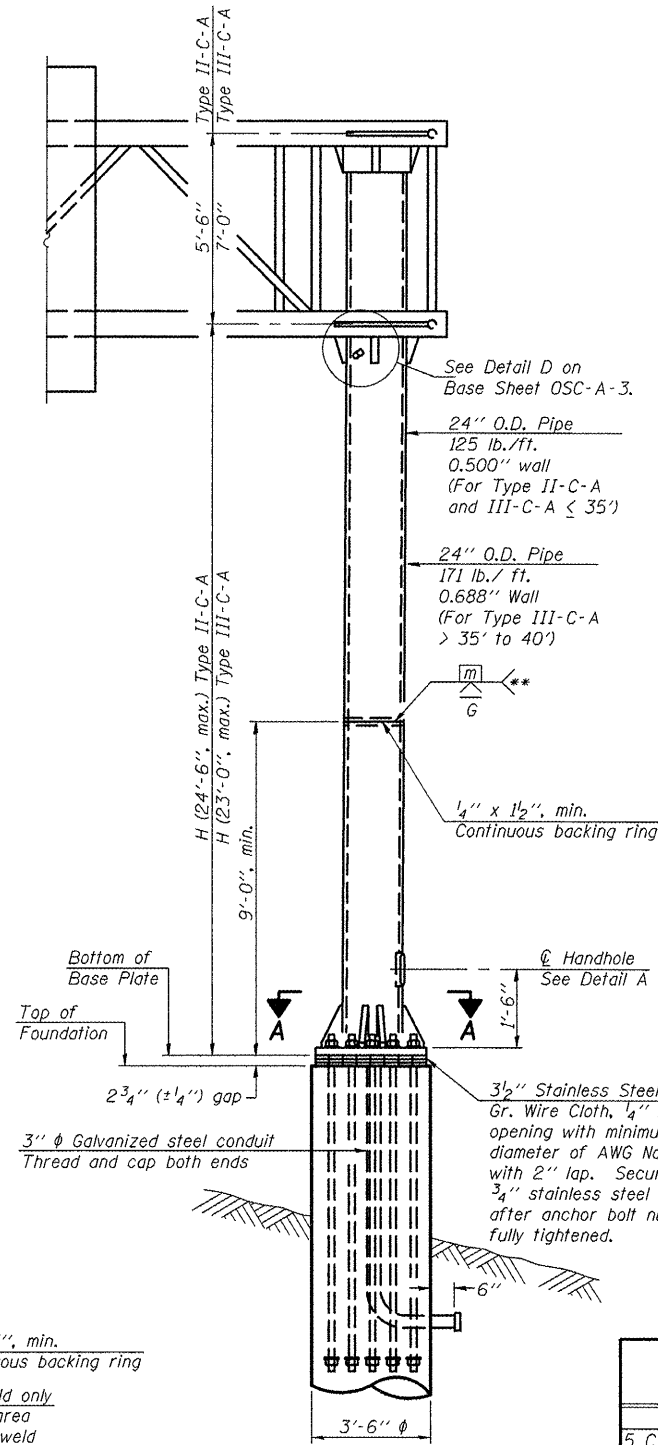
SECTION A-A



SECTION B-B

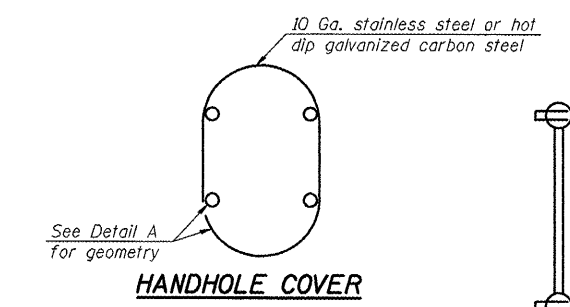


DETAIL B
(Typical rib)

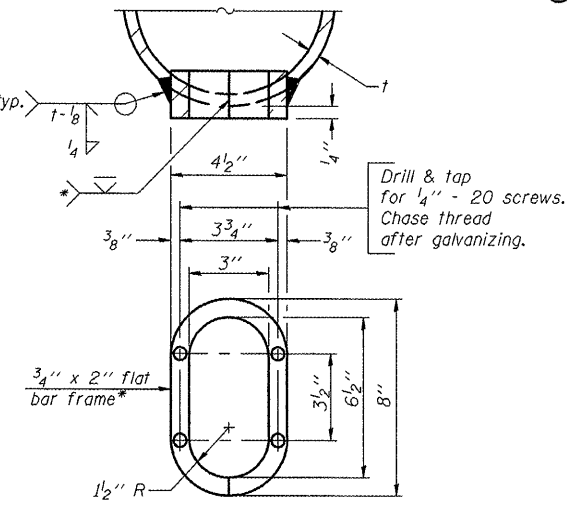


FRONT ELEVATION

For Foundation Details see Base Sheet OSC-A-9.



HANDHOLE COVER



DETAIL A

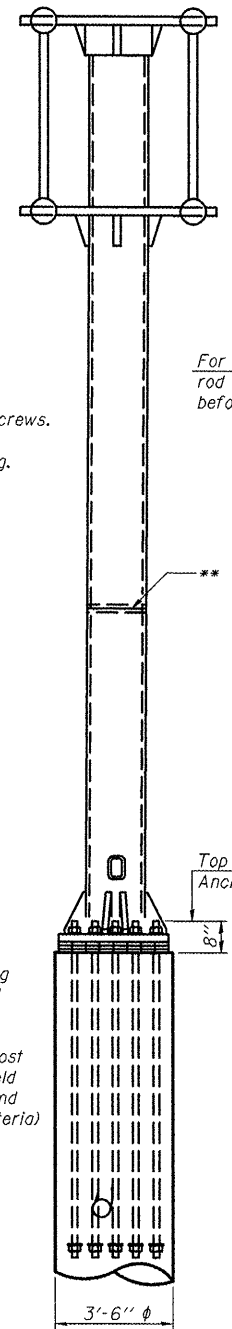
Provide 8" x 4 1/2" cover. Outside corners = 2 1/4" radius. Provide 4- 5/16" diameter holes in cover for 1/4" - 20 round head hot dip galvanized or stainless steel machine screws. (See cover details.)

* Bent bars may be butt welded top and bottom or bottom only. In lieu of fabricated handhole frame as shown, may cut from 2" plate (rolling direction vertical). All cut faces to be ground to ANSI Roughness of 500 μin or less.

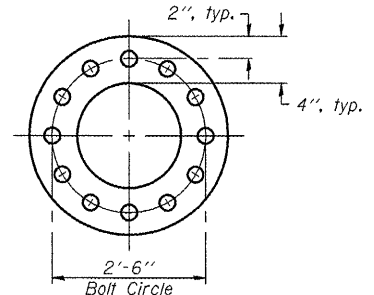
** Butt welded joint in post is only allowed for post heights (H) over 20 ft. in length. If used, weld procedure must be preapproved by Engineer and joint shall receive 100% RT or UT (tension criteria) at Contractor's expense.

Structure Number	Station	H
5 C 092 1074 L208.35	103+10	22'-6"
5 C 092 1074 R214.25	1923+65	22'-0"

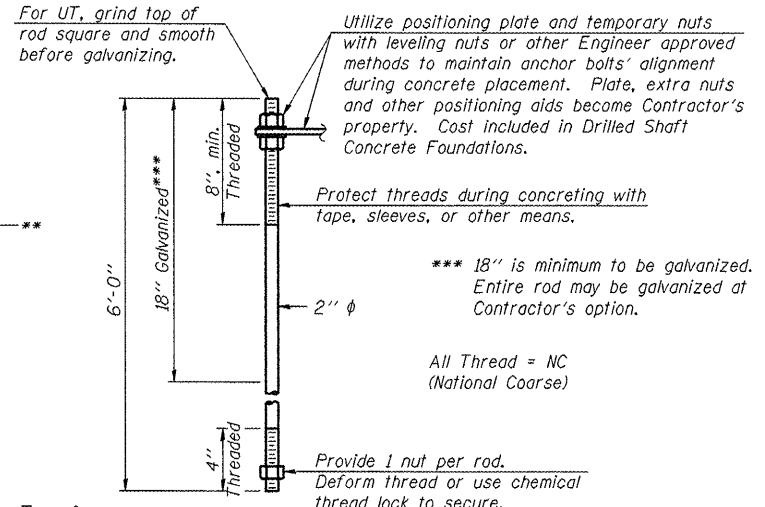
Note: "H" based on 15'-0" or actual sign height, whichever is greater.



SIDE ELEVATION



SUGGESTED POSITIONING PLATE



ANCHOR ROD DETAIL

Anchor rods shall conform to ASTM F1554 Grade 105. Galvanize the upper 18" (minimum) and associated AASHTO M291, Grade A, C or DH heavy hex nuts and hardened washers per AASHTO M232. No welding shall be permitted on rods. Provide a nut at bottom, a hexagon locknut and washer above base plate and a leveling nut and washer below base plate. Nuts shall each be tightened with 200 lb.-ft. minimum torque against base plate. Before or after threading, but before galvanizing, each anchor rod shall be ultrasonically tested (UT) by a Level II or III inspector, qualified in accord with ANSI guidelines, to insure no rejectable flaws exist in the upper 18" (tension criteria). Cost of testing included in Drilled Shaft Concrete Foundations.

OSC-A-5

9-15-11

•VARIOUS COUNTIES
•D-5 OVD SIN STR REPL 2012-06