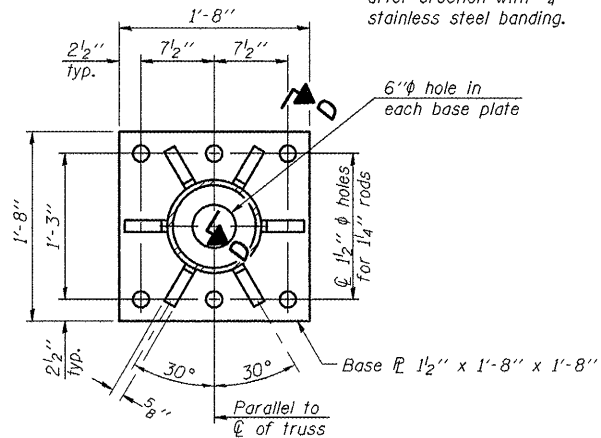


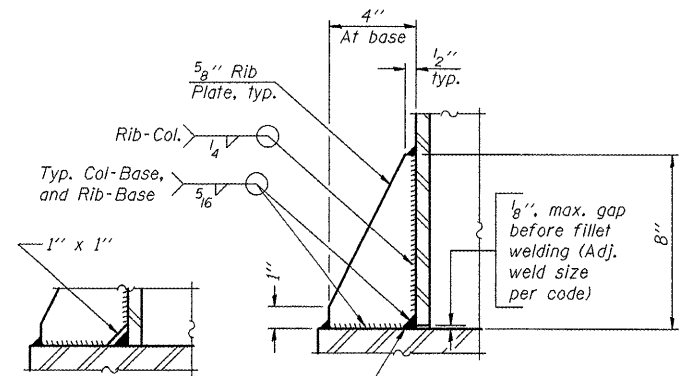
**DETAIL B**

Ribs shall be cut to fit slope of pipe.

Stainless Steel Standard Grade Wire Cloth, 3" wide, 1/4" maximum opening with a minimum wire diameter of AWG. No. 16 with a minimum 2" lap. Secure to base plate after erection with 3/4" stainless steel banding.

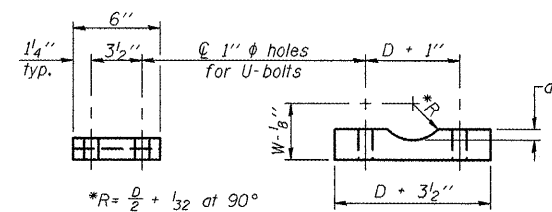


**SECTION B-B**



**SECTION D-D**

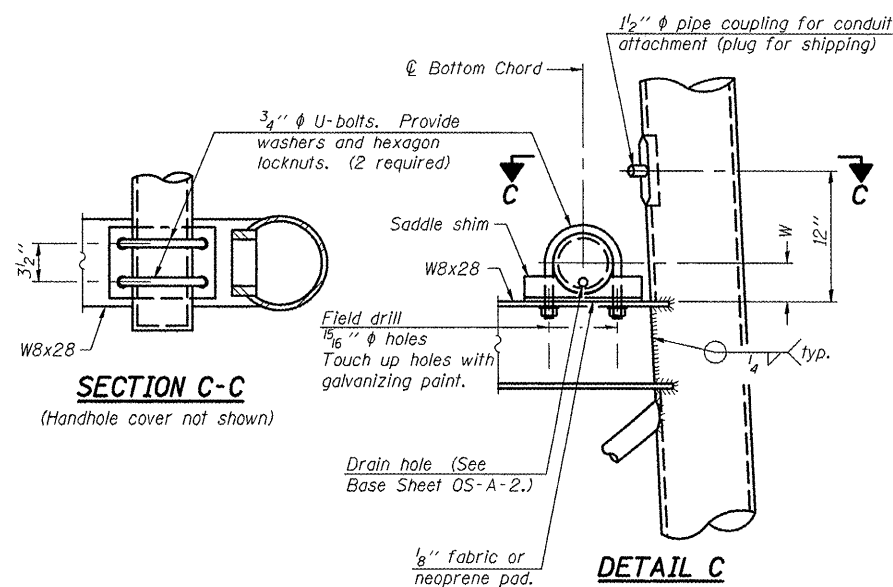
\*\* Alternate detail if welding col. to base plate first, then snip inside corner of ribs. Terminate weld on rib 1/4" from snip.



**SADDLE SHIM DETAIL**

ASTM B26 Alloy 356-F  
or  
ASTM B209 Alloy 6061-T651  
(4 required per sign truss)

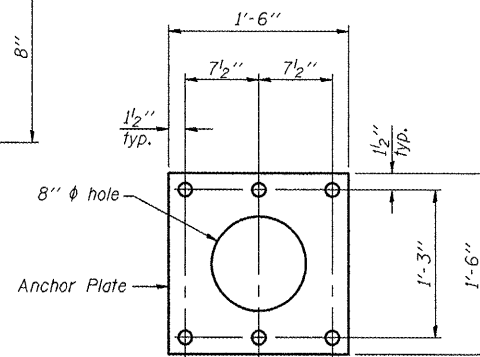
Truss Chord Nominal Dia.	a
5"	3/4"
5 1/2"	13/16"
6"	7/8"
6 1/2"	15/16"
7"	1"



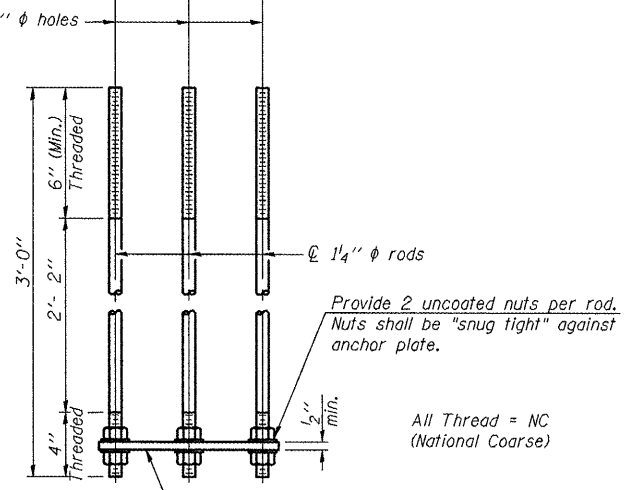
**SECTION C-C**

(Handhole cover not shown)

**DETAIL C**



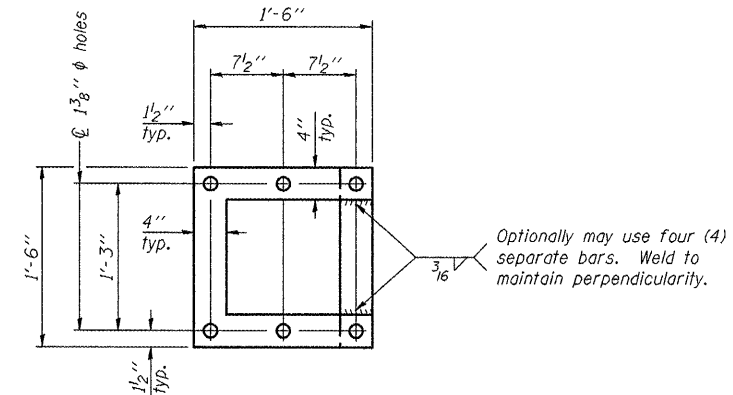
**ANCHOR ROD DETAIL**  
Spread Footing Foundation



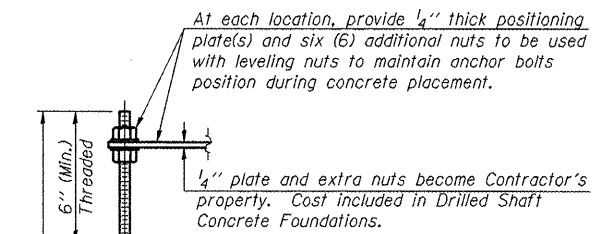
All Thread = NC  
(National Coarse)

Anchor rods shall conform to ASTM F1554 Grade 105. Galvanize upper 12" minimum per AASHTO M232. No welding shall be permitted on rods.

**10" φ PIPE SUPPORT FRAME DETAILS**



**POSITIONING PLATE(S)**



**ANCHOR ROD DETAIL**  
Drilled Shaft Foundation

All Thread = NC  
(National Coarse)

Provide 1 nut per rod. Deform thread or use chemical thread lock to secure.

OS-A-6A

1-20-11

FILE NAME =	USER NAME = ceer-lockjd	DESIGNED - JAL	REVISED -
c:\pwwork\pwwid\ceer-lockjd\026655710546179-sh1-detail.dgn		DRAWN -	REVISED -
PLOT SCALE = 40.0000		CHECKED -	REVISED -
PLOT DATE = 10/7/2011		DATE - 04/26/11	REVISED -

STATE OF ILLINOIS  
DEPARTMENT OF TRANSPORTATION

OVERHEAD SIGN STRUCTURES SUPPORT FRAME DETAILS - ALUMINUM TRUSS		
SCALE:	SHEET NO. 9 OF 17 SHEETS	STA. TO STA.

F.A. RTE.	SECTION	COUNTY	TOTAL SHEETS	SHEET NO.
		Various	178	35
CONTRACT NO. 46179				
ILLINOIS FED. AID PROJECT				

•VARIOUS COUNTIES  
•D-5 OVD SIN STR REPL 2012-06