

TYPICAL TRUSS UNIT

Note: For Section B-B and Section C-C, see Base Sheet OSC-A-3.

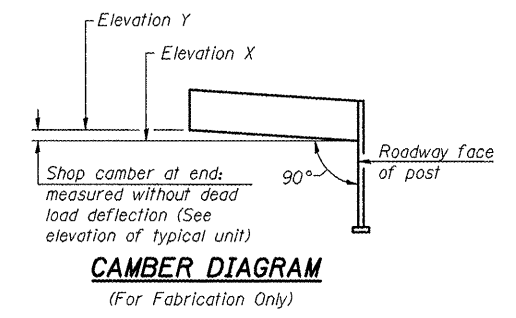
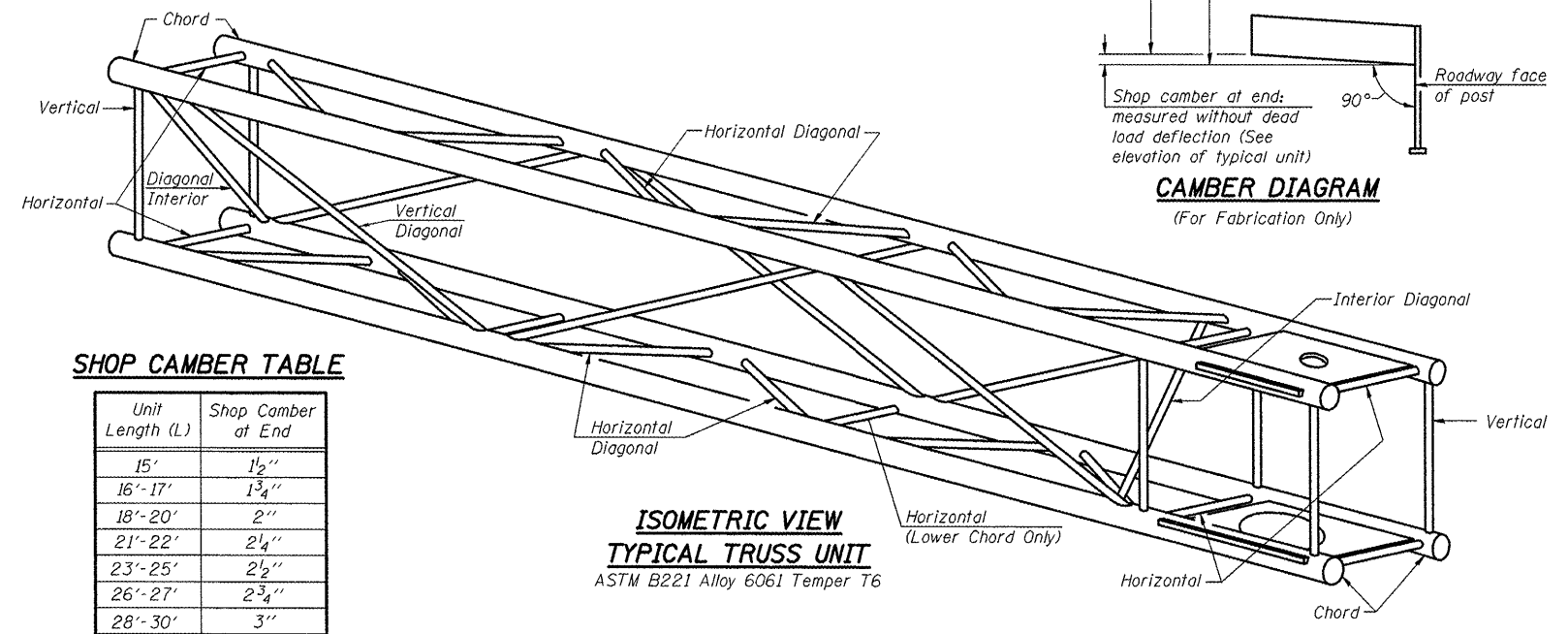
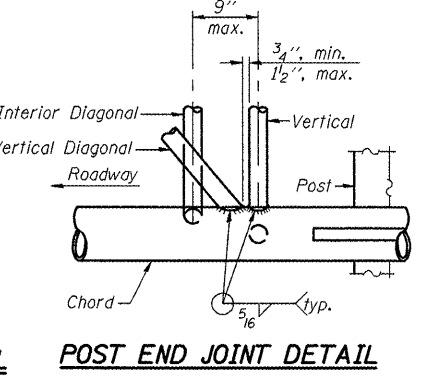
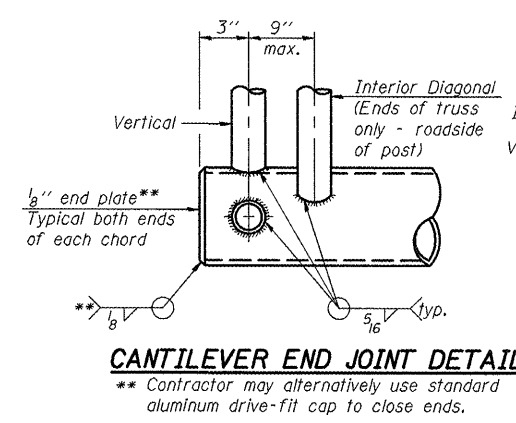
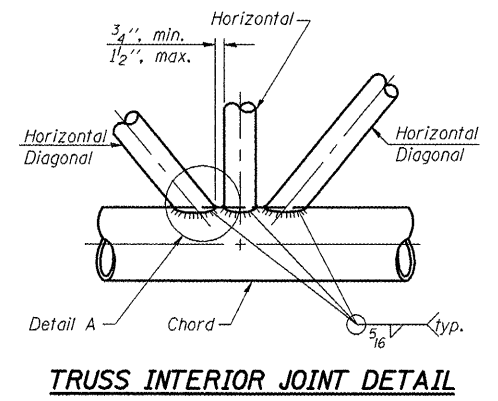
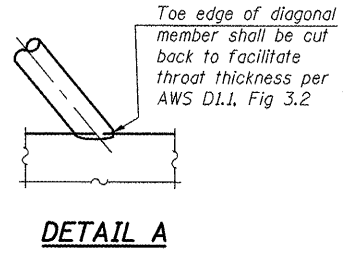
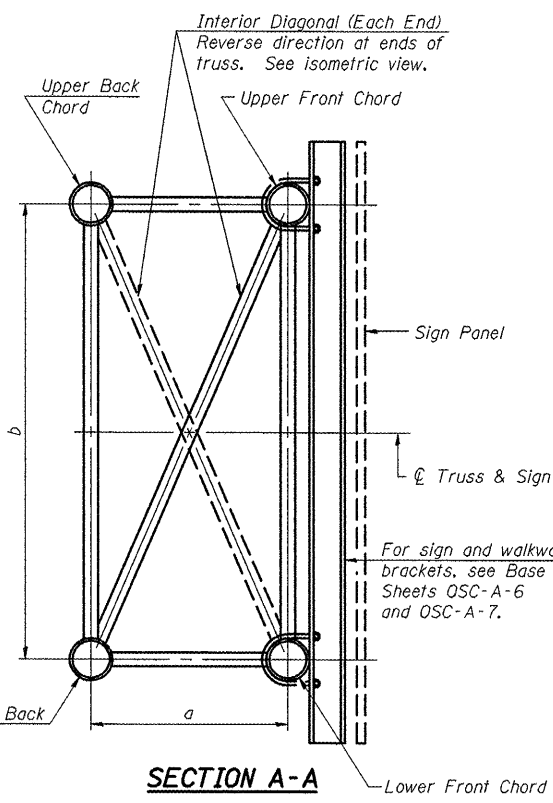
There are twice as many horizontal diagonals as there are vertical diagonals.

TRUSS UNIT TABLE

Truss Type	Dimension "a"	Dimension "b"	Dimension "s"	Limits for Panel Spacing (P)*	Up. & Low. Chord, Verticals, Horizontal, and Interior Diagonals			
					O.D.	Wall	O.D.	Wall
I-C-A	24"	54"	16"	36" min. to 48" max.	5"	5/16"	2 1/2"	5/16"
II-C-A	36"	66"	21"	42" min. to 54" max.	6 1/2"	5/16"	3 1/4"	5/16"
III-C-A (35' Max.)	36"	84"	21"	48" min. to 66" max.	7"	3/8"	3 1/2"	3/8"
III-C-A (>35' to 40')	36"	84"	21"	48" min. to 66" max.	8"	3/8"	3 1/2"	3/8"

*P = $\frac{L-s-3"}{\# \text{ Panels}}$

Structure Number	Station	Truss Type	Design Length (L)	Number of Panels Per Unit	Panel Length (P)*
5 C 020 1074 R155.62	657+53	II-C-A	28'-0"	6	4'-4"



SHOP CAMBER TABLE

Unit Length (L)	Shop Camber at End
15'	1 1/2"
16'-17'	1 3/4"
18'-20'	2"
21'-22'	2 1/4"
23'-25'	2 1/2"
26'-27'	2 3/4"
28'-30'	3"
31'-32'	3 1/4"
33'-35'	3 1/2"
36'-37'	4"
38'-40'	4 1/2"

OSC-A-2 9-15-11

FILE NAME =	USER NAME = ceerlookjd	DESIGNED - JAL	REVISED -
es:\pwork\pwork\ceerlookjd\0266557\046179-shr-details.dgn		DRAWN -	REVISED -
PLOT SCALE = 40.0000' / 1"		CHECKED -	REVISED -
PLOT DATE = 10/7/2011		DATE - 04/26/11	REVISED -

STATE OF ILLINOIS
DEPARTMENT OF TRANSPORTATION

CANTILEVER SIGN STRUCTURES - TRUSS DETAILS
ALUMINUM TRUSS & STEEL POST

SCALE: SHEET NO. 3 OF 10 SHEETS STA. TO STA.

F.A. RTE.	SECTION	COUNTY	TOTAL SHEETS	SHEET NO.
		Various	178	49

CONTRACT NO. 46179
ILLINOIS FED. AID PROJECT

•VARIOUS COUNTIES
•D-5 OVD SIN STR REPL 2012-06