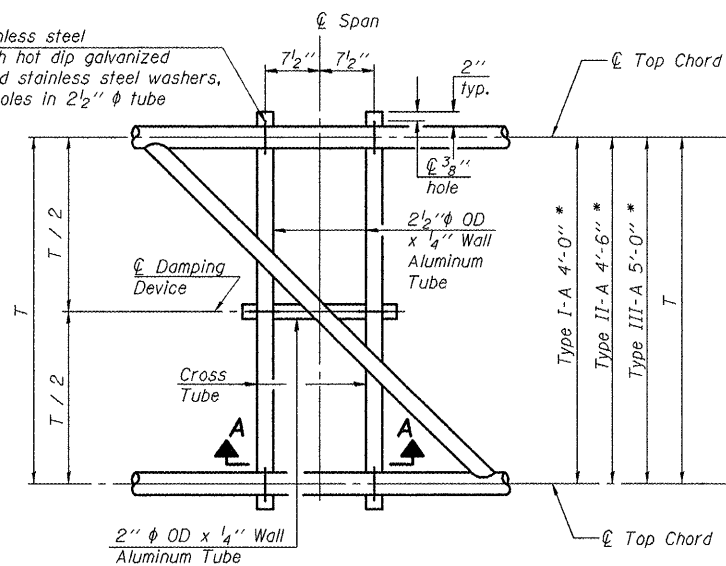
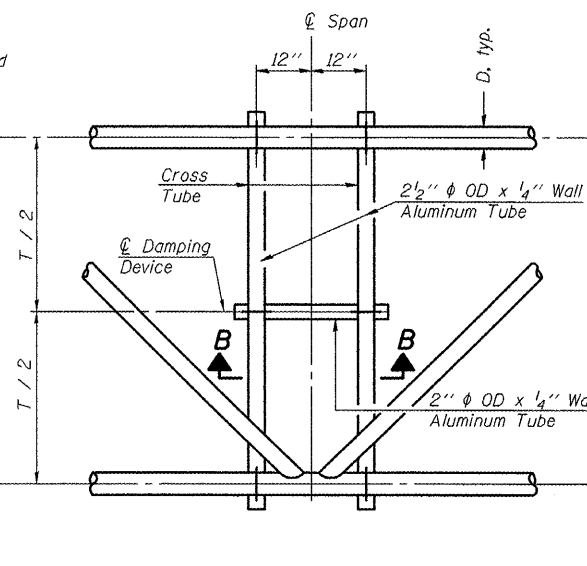


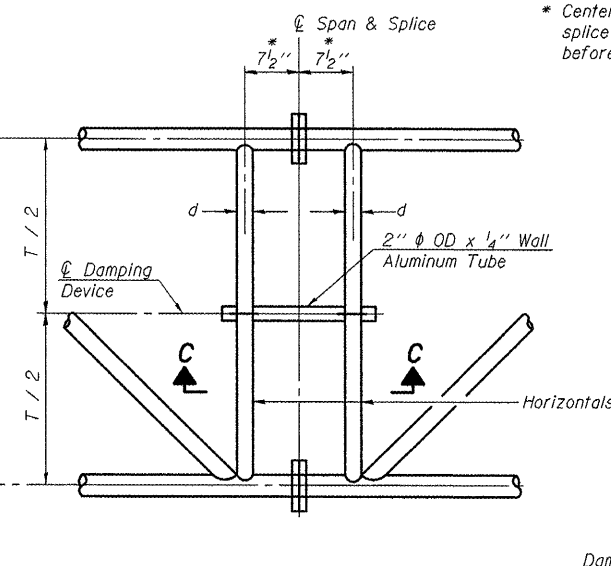
5/16" φ stainless steel
U-bolt with hot dip galvanized
locknuts and stainless steel washers,
typ. 3/8" φ holes in 2 1/2" φ tube



PLAN DETAIL "A"
Span between Panel Points



PLAN DETAIL "B"
Span at Panel Point



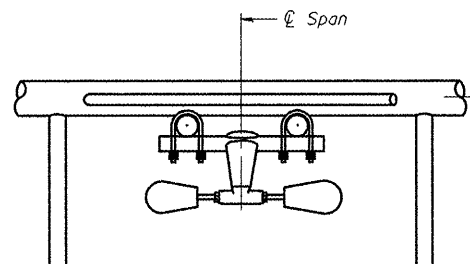
PLAN DETAIL "C"
Span at Chord Splice

* Center of horizontal to center of
splice dimension may vary. Verify
before drilling holes in mounting tube.

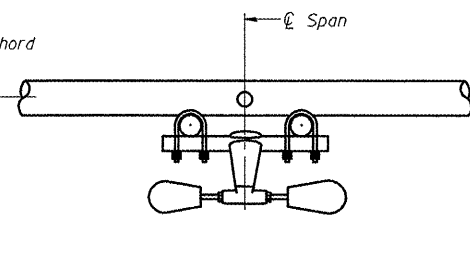
NOTES

Damper: One damper per truss. (31 lbs. minimum Stockbridge-Type
Aluminum - 29" minimum between ends of weights) Cost
included in Overhead Sign Structure...

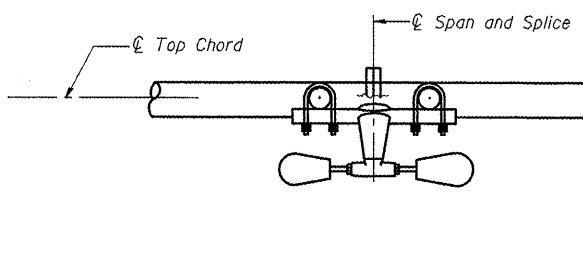
Materials: Materials: Aluminum tubes shall be ASTM B221 alloy 6061
temper T6. Cost included in Overhead Sign Structure...



SECTION A-A

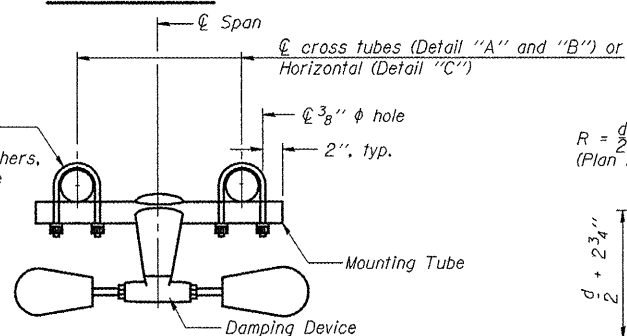


SECTION B-B

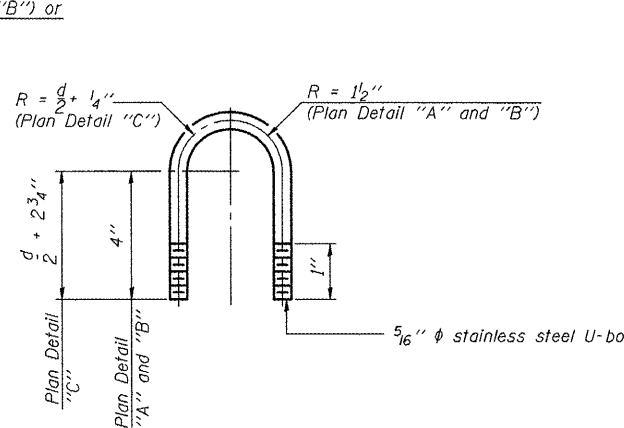


SECTION C-C

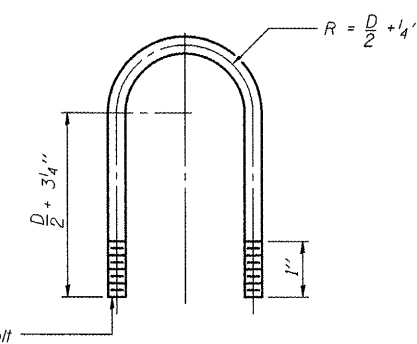
5/16" φ stainless steel
U-bolt with hot dip galvanized
locknuts and stainless steel washers,
typ. 3/8" φ holes in mounting tube



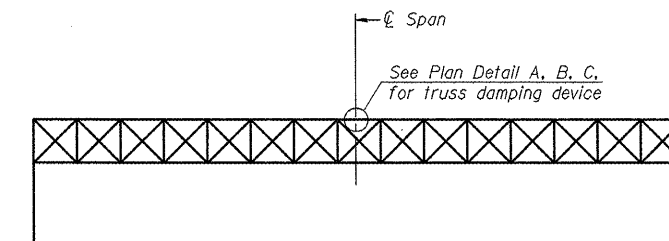
**TRUSS DAMPING
DEVICE CONNECTION DETAIL**
(Typical)



**DAMPING DEVICE MOUNTING
TUBE U-BOLT DETAIL**
(Typical)



**TOP CHORD TO CROSS TUBE
U-BOLT DETAIL**
(Typical - Detail "A" and "B")



ELEVATION
Aluminum Overhead
Sign Truss

OS-A-D

1-20-11

FILE NAME =	USER NAME = ceerlockjd	DESIGNED - JAL	REVISED -
cr:\pr_work\pwidot\ceerlockjd\0266557\046179-sht-detail.dgn		DRAWN -	REVISED -
PLOT SCALE = 40.0000' / 1"		CHECKED -	REVISED -
PLOT DATE = 10/7/2011		DATE - 04/26/11	REVISED -

STATE OF ILLINOIS
DEPARTMENT OF TRANSPORTATION

OVERHEAD SIGN STRUCTURE
DAMPING DEVICE

SCALE: SHEET NO. 6 OF 24 SHEETS STA. TO STA.

F.A. RTE.	SECTION	COUNTY	TOTAL SHEETS	SHEET NO.
	**	Various	178	73
			CONTRACT NO. 46179	
ILLINOIS FED. AID PROJECT				

•VARIOUS COUNTIES
•D-5 OVD SIN STR REPL 2012-06