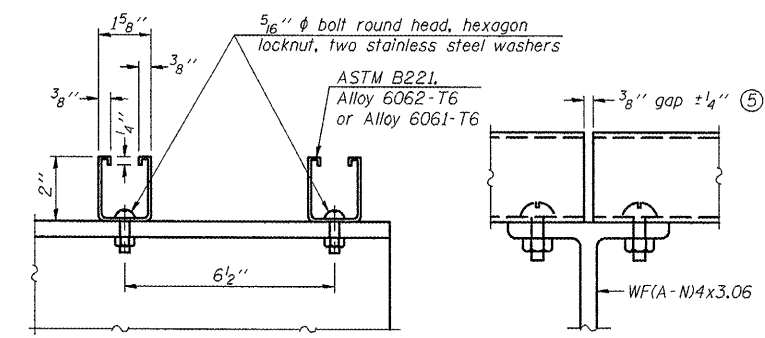
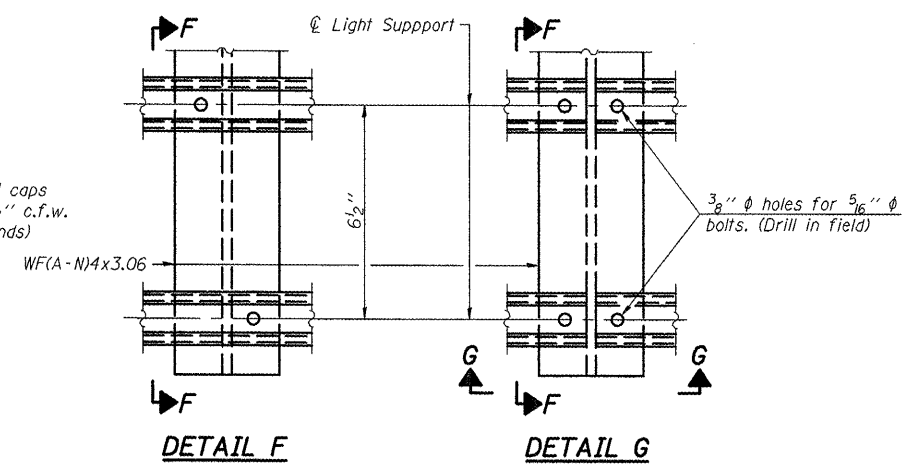


HANDRAIL DETAILS

Handrail pipe shall be ASTM B241 or B429, Alloy 6063-T6 or Alloy 6061-T6.

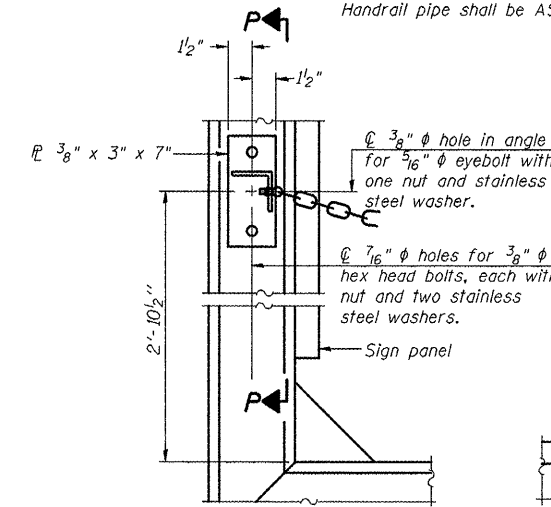
① Install standard force-fit end caps or weld 1/8" end plates with 1/8" c.f.w. and grind smooth. (All rail ends)

② Horizontal handrail member shall be continuous thru fitting. Provide 1/16" hole in fitting for 3/8" bolt. Field drill 1/16" hole in horizontal rail member. Provide locknut and two stainless steel washers for bolt. (Use 5/16" eyebolts in 1/16" holes on top rail at ends only.)



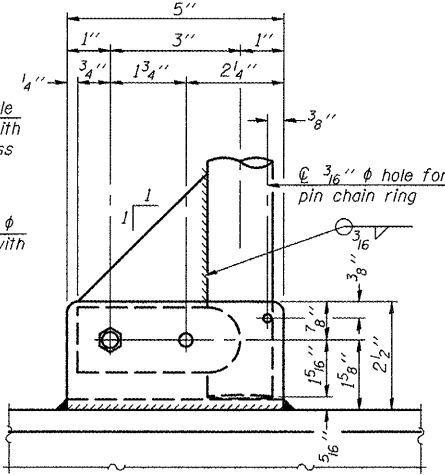
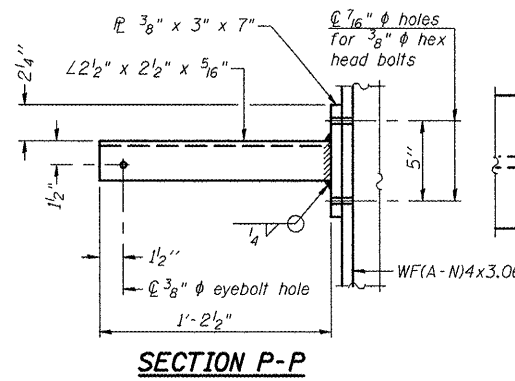
LIGHTING FIXTURE MOUNTS (IF REQUIRED)

⑤ Field cut ends of light support channels shall be free of burrs or hazardous projections and coated with zinc-rich primer or equivalent.



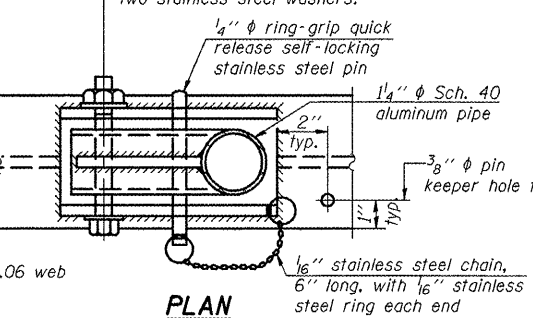
ALTERNATE SAFETY CHAIN ATTACHMENT

Items not shown same as "Side Elevation" of "Handrail Details"

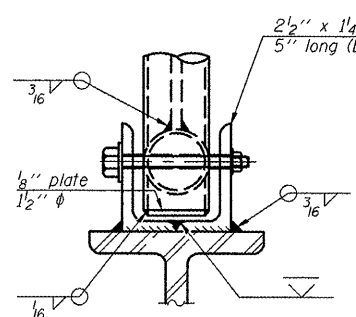


SIDE ELEVATION

Drill and ream for 3/8" bolt with two hexagon locknuts and two stainless steel washers.

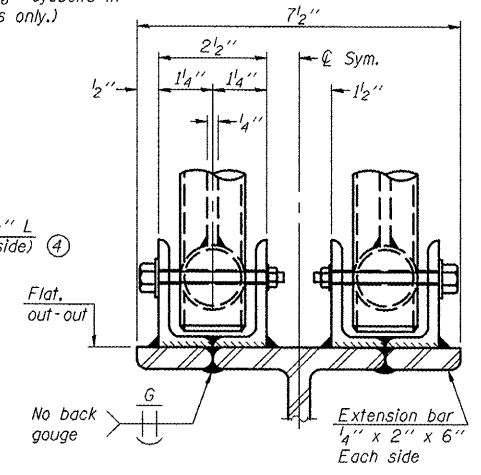


DETAIL E HANDRAIL HINGE



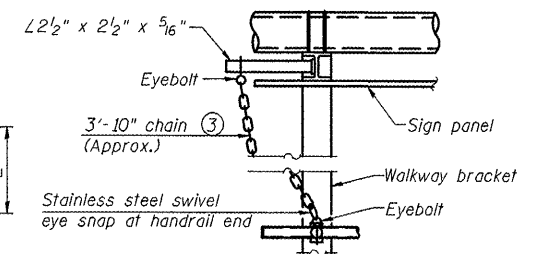
FRONT ELEVATION

Details not shown same as "ELEVATION" at right.



ELEVATION AT HANDRAIL JOINT ④

Details not shown same as "FRONT ELEVATION"

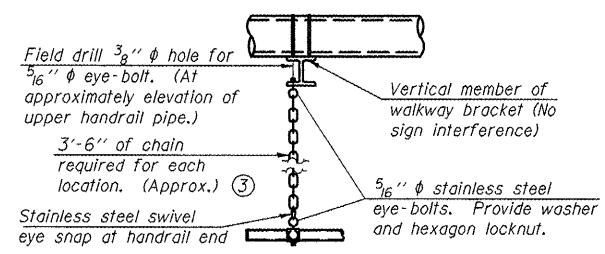


ALTERNATE SAFETY CHAIN ATTACHMENT

Details not shown similar to "Safety Chain" Details (Walkway omitted for clarity)

③ 3/16" Type 304L stainless steel chain, approximately 12 links per foot.

④ Extrusions may be used in lieu of the details shown, with approval of the Engineer.



SAFETY CHAIN

One required for each end of each walkway.

OSC-A-8 9-15-11

FILE NAME =	USER NAME = ceerlockjd	DESIGNED - JAL	REVISED -	STATE OF ILLINOIS DEPARTMENT OF TRANSPORTATION	CANTILEVER SIGN STRUCTURES - HANDRAIL DETAILS ALUMINUM TRUSS & STEEL POST	SCALE: SHEET NO. 23 OF 24 SHEETS STA. TO STA.	F.A. RTE. SECTION COUNTY TOTAL SHEETS SHEET NO. 178 90 CONTRACT NO. 46179 ILLINOIS FED. AID PROJECT
cr:\pwwork\pwwork\ceerlockjd\0266557\046179\shd\det\1.dgn	DRAWN -	REVISED -					
PLOT SCALE = 48,5882 / 10	CHECKED -	REVISED -					
PLOT DATE = 10/7/2011	DATE - 04/26/11	REVISED -					

•VARIOUS COUNTIES
•D-5 OVD SIN STR REPL 2012-06