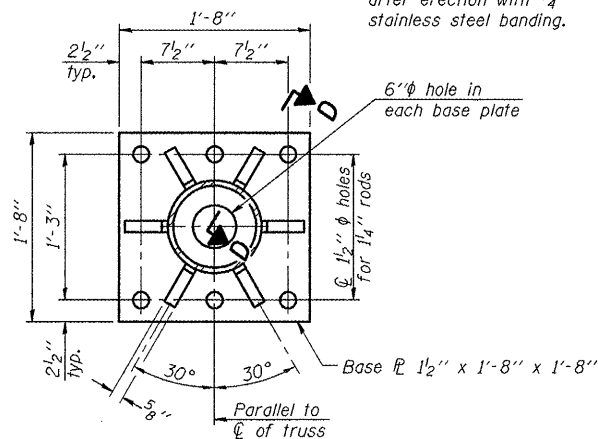


**DETAIL B**

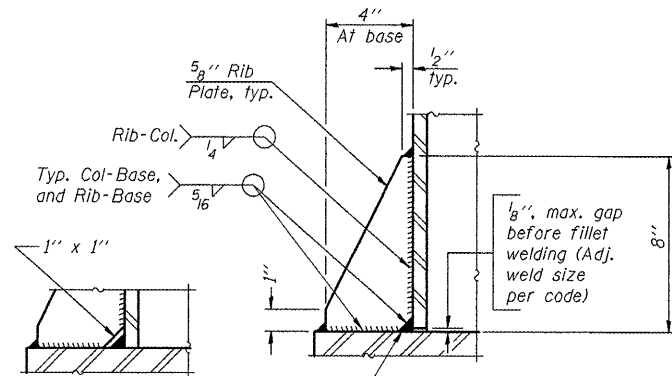
Hexagon locknut and washer (top), leveling nut and washer (bottom). Galvanize per AASHTO M232. Nuts shall each be tightened against base plate with 200 lb.-ft. minimum torque.

Ribs shall be cut to fit slope of pipe.

Stainless Steel Standard Grade Wire Cloth, 3" wide, 1/4" maximum opening with a minimum wire diameter of AWG. No. 16 with a minimum 2" lap. Secure to base plate after erection with 3/4" stainless steel banding.



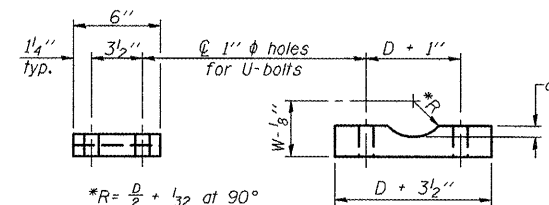
**SECTION B-B**



**SECTION D-D**

\*\* Alternate detail if welding col. to base plate first, then snip inside corner of ribs. Terminate weld on rib 1/4" from snip.

No snip req'd. at rib inside corner if placed before col. to base plate welding.

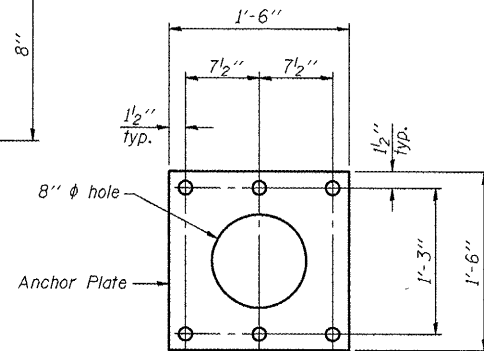


**SADDLE SHIM DETAIL**

\*R =  $\frac{D}{2} + \frac{1}{32}$  at 90°  
D = Outside Diameter of Chord.  
For W, see Base Sheet OS-A-6.

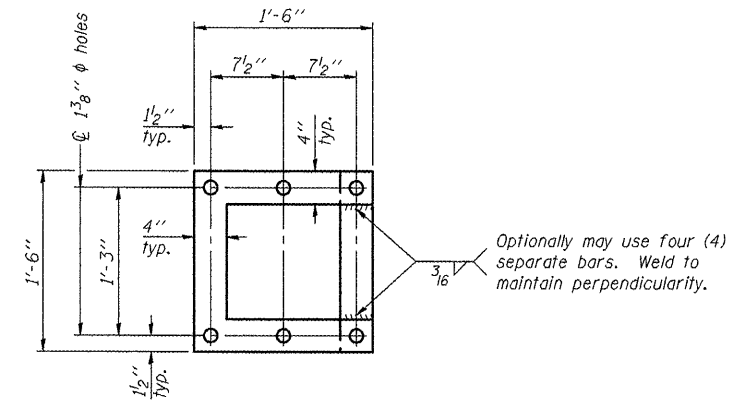
ASTM B26 Alloy 356-F  
or  
ASTM B209 Alloy 6061-T651  
(4 required per sign truss)

Truss Chord Nominal Dia.	a
5"	3/4"
5 1/2"	13/16"
6"	7/8"
6 1/2"	15/16"
7"	1"



**ANCHOR ROD DETAIL**

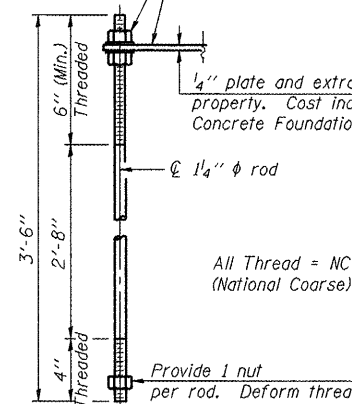
Spread Footing Foundation



**POSITIONING PLATE(S)**

At each location, provide 1/4" thick positioning plate(s) and six (6) additional nuts to be used with leveling nuts to maintain anchor bolts position during concrete placement.

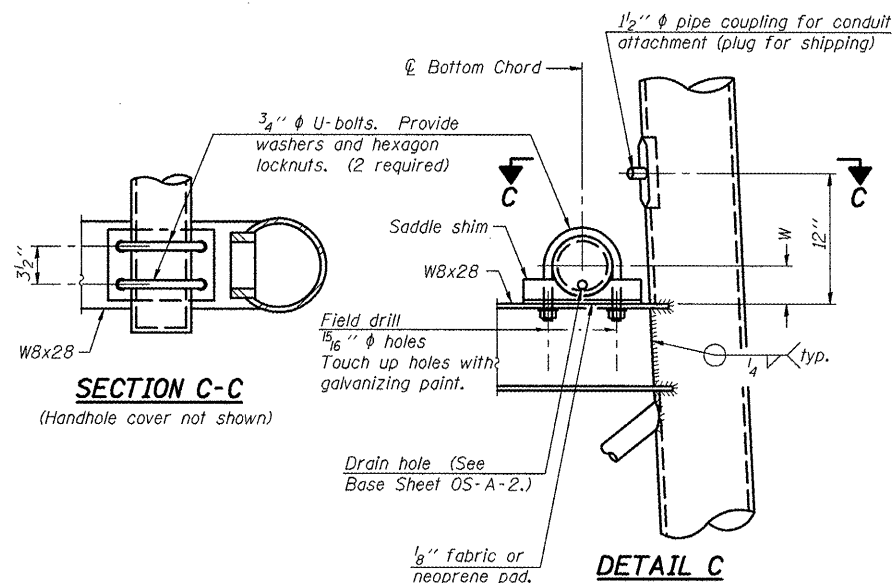
1/4" plate and extra nuts become Contractor's property. Cost included in Drilled Shaft Concrete Foundations.



**ANCHOR ROD DETAIL**

Drilled Shaft Foundation

Anchor rods shall conform to ASTM F1554 Grade 105. Galvanize upper 12" minimum per AASHTO M232. No welding shall be permitted on rods.



**SECTION C-C**

(Handhole cover not shown)

**DETAIL C**

**10" Ø PIPE SUPPORT FRAME DETAILS**

OS-A-6A

1-20-11

FILE NAME =	USER NAME = ceerlockjd	DESIGNED - JAL	REVISED -
c:\pwwork\pwwork\ceerlockjd\02665571046179-sht-details.dgn		DRAWN -	REVISED -
PLOT SCALE = 40.0000" / 1"		CHECKED -	REVISED -
PLOT DATE = 10/7/2011		DATE - 04/26/11	REVISED -

STATE OF ILLINOIS  
DEPARTMENT OF TRANSPORTATION

OVERHEAD SIGN STRUCTURES  
SUPPORT FRAME DETAILS - ALUMINUM TRUSS

SCALE: SHEET NO. 10 OF 24 SHEETS STA. TO STA.

F.A. RTE.	SECTION	COUNTY	TOTAL SHEETS	SHEET NO.
	**	Various	178	115
CONTRACT NO. 46179				
ILLINOIS FED. AID PROJECT				

•VARIOUS COUNTIES  
••D-5 OVD SIN STR REPL 2012-06