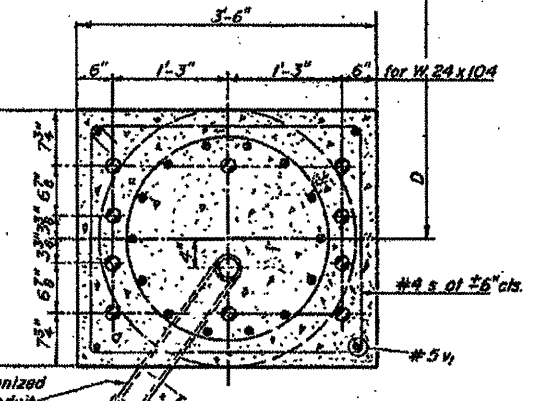
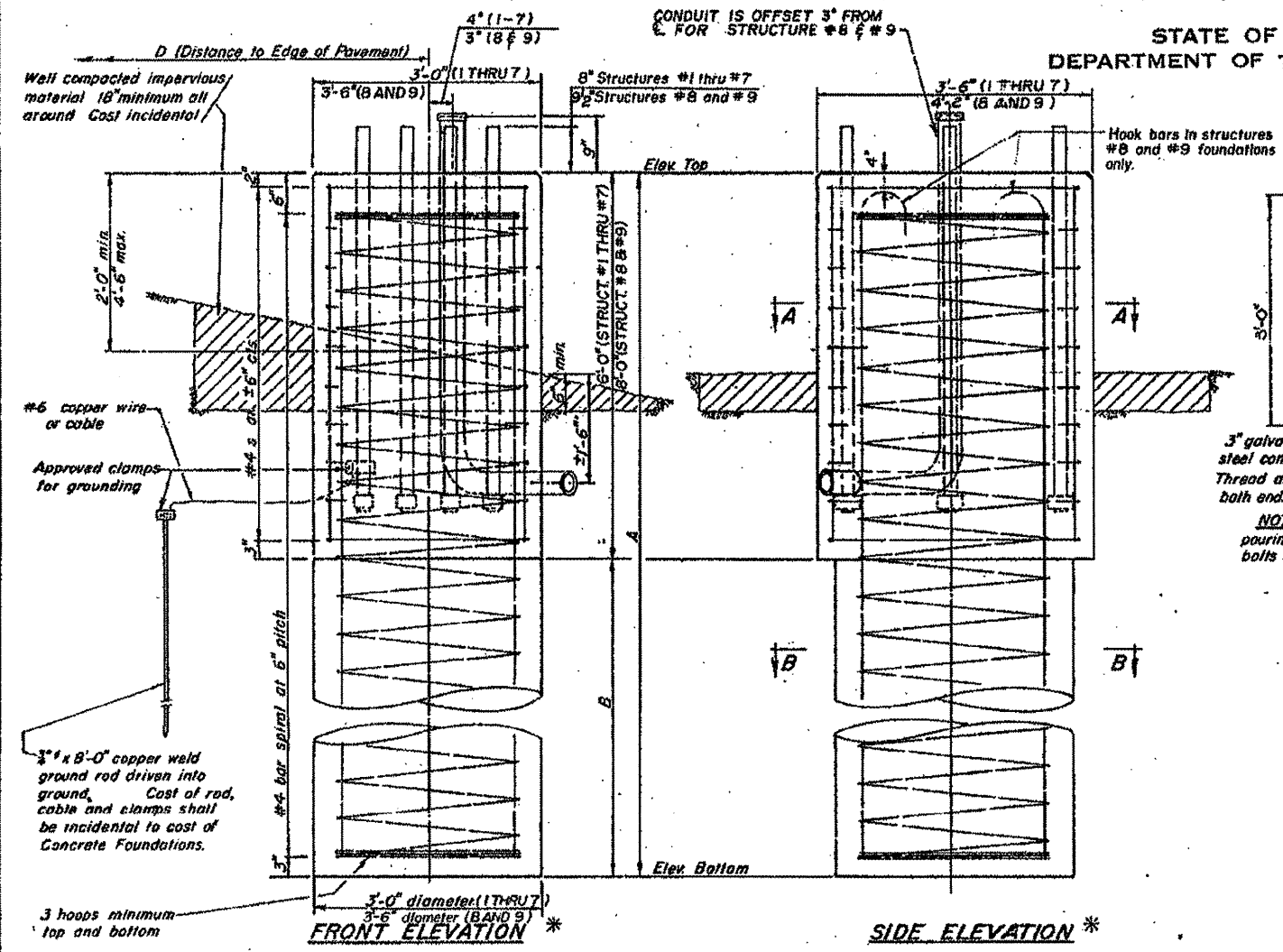


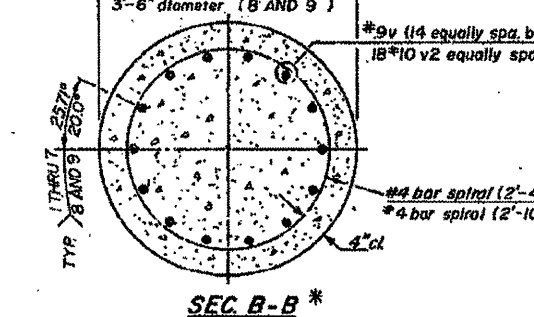
# EXISTING INFORMATION ONLY

STATE OF ILLINOIS  
DEPARTMENT OF TRANSPORTATION

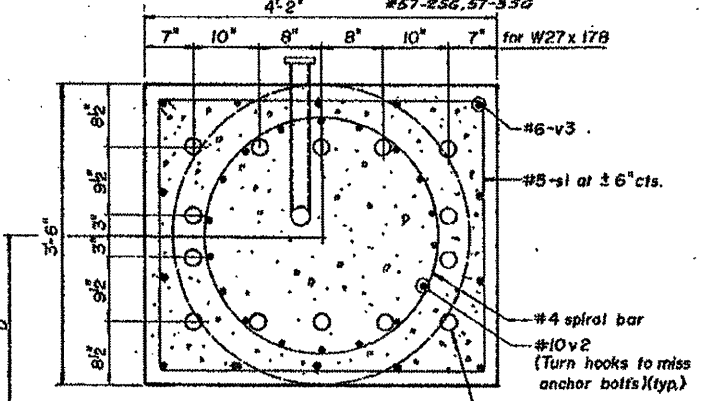
PROJECT NO.	SECTION	COUNTY	TOTAL SHEETS	SHEET NO.	SHEET NO.
1039 R001.00	#	MCLEAN	33	30	30
SHEET NO. 5 SHEETS 10					



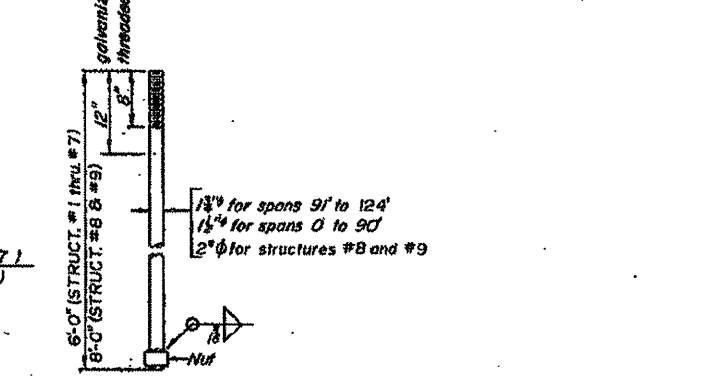
**SEC. A-A\***  
(For structures #1 thru #7 only)  
NOTE: The anchor bolts and reinforcing cage must be in place before pouring concrete, and shall be adjusted for proper placement of anchor bolts as shown. 3'-0" diameter (1 THRU 7)



**SEC. B-B\***  
3'-6" diameter (8 AND 9)  
#9v (14 equally spa. bars) (1 thru 7)  
#10v2 equally spa. (8 and 9)  
#4 bar spiral (2'-4" O.D.) (1 THRU 7)  
#4 bar spiral (2'-10" O.D.) (8 AND 9)



**SEC. A-A**  
(FOR STRUCTURES #8 AND #9 ONLY)  
#6-v3  
#5-s1 at 16" cts.  
#4 spiral bar  
#10v2 (Turn hooks to miss anchor bolts) (typ.)  
2" anchor bolts (typ.)



**ANCHOR BOLT DETAILS**  
(ASTM A-576 -  $f_y = 55,000$  psi.)  
Galvanize upper 12" in accordance with AASHTO M 232.  
Provide 3 nuts and 1 sq. fl. washer 1/2" x 4" x 4" for each anchor bolt ASTM A-576

**BAR LIST - EACH FOUNDATION**

STRUCTURE No's 1 thru 7

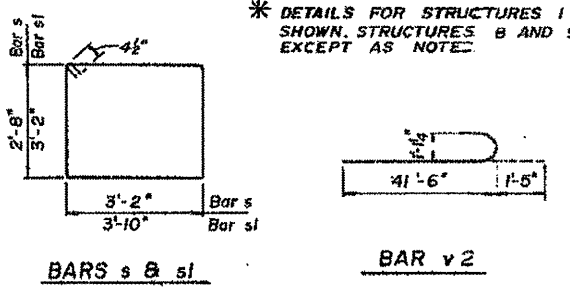
Bar	No	Size	Length	Shape
s	12	#4	11'-9"	□
v	14	#9	B(5'-7")	□
v2	4	#5	5'-3"	□

#4 bar spiral - See Front Elevation

STRUCTURE No's 8 and 9 ONLY

Bar	No	Size	Length	Shape
s1	16	#5	14'-9"	□
v2	18	#10	42'-11"	□
v3	4	#6	10'-0"	□

#4 Bar spiral - See front elevation



**DEPTH TABLE**

Span	B (min.)
70'	15'
80'	15'
90'	16'
100'	17'
110'	5 S#057
124'	5 S#057
Structures #8 and #9	35'

Structure No	Station	B	Anchor Bolt Size	Left Foundation		Right Foundation		Class X Concrete		
				Elev. Top	Elev. Btm.	Elev. Top	Elev. Btm.			
1	261+81.25 (F.A.I.-55)	20'	1 1/2" φ	850.70	824.70	26'	850.70	824.70	26'	15.1
2	262+00.00 (F.A.I.-55)	18'	1 1/2" φ	850.70	826.70	24'	855.50	834.50	24'	14.1
3	282+00.00 (F.A.I.-55)	16'	1 1/2" φ	843.50	821.50	22'	843.50	821.50	22'	13.0
4	312+00.00 (F.A.I.-55)	17'	1 1/2" φ	804.57	781.57	23'	804.57	781.57	23'	13.6
5	338+40.00 (F.A.I.-55)	17'	1 1/2" φ	795.00	772.00	23'	794.20	771.20	23'	13.6
6	364+80.00 (F.A.I.-55)	17'	1 1/2" φ	790.00	767.00	23'	790.00	767.00	23'	13.6
7	237+20.00 (F.A.I.-55)	20'	1 1/2" φ	842.30	816.30	26'	842.30	816.30	26'	15.2
8	152+89.00 (F.A.P. 412)	35'	2" φ	866.00	823.00	43'	866.00	823.00	43'	32.6
9	194+20.00 (F.A.P. 412)	35'	2" φ	825.00	782.00	43'	825.00	782.00	43'	32.6

NOTES:  
The foundation details shown are for Average Cohesive Soil Conditions (stiff clays, sandy clays) and with minimum  $Q_u = 1.0$  Tons/Sq. Ft. " $Q_u$ " being the average value of hand penetrometer readings at various depths of the shaft as determined by the Engineer at time of drilling operations or previous soil investigation.

**OVERHEAD SIGN STRUCTURES FOUNDATION DETAILS**

F.A.P. ROUTE 412 / F.A.I. ROUTE 55  
MCLEAN COUNTY

\*VARIOUS COUNTIES  
\*\*D-5 OVD SIN STR REPL 2012-06

FILE NAME =	USER NAME = ceo-jack_jd	DESIGNED - JAL	REVISED -
of:\work\p\p\1039 R001.00\ceo-jack_jd\0268557.D	046179-shr-det01.dgn	DRAWN -	REVISED -
		CHECKED -	REVISED -
		DATE - 04/26/11	REVISED -

STATE OF ILLINOIS  
DEPARTMENT OF TRANSPORTATION

AS-BUILTS  
FOR INFORMATION ONLY  
SCALE: SHEET NO. OF SHEETS STA. TO STA.

F.A. RTE.	SECTION	COUNTY	TOTAL SHEETS	SHEET NO.
*	**	Various	178	135
CONTRACT NO. 46179				
(ILLINOIS) FED. AID PROJECT				