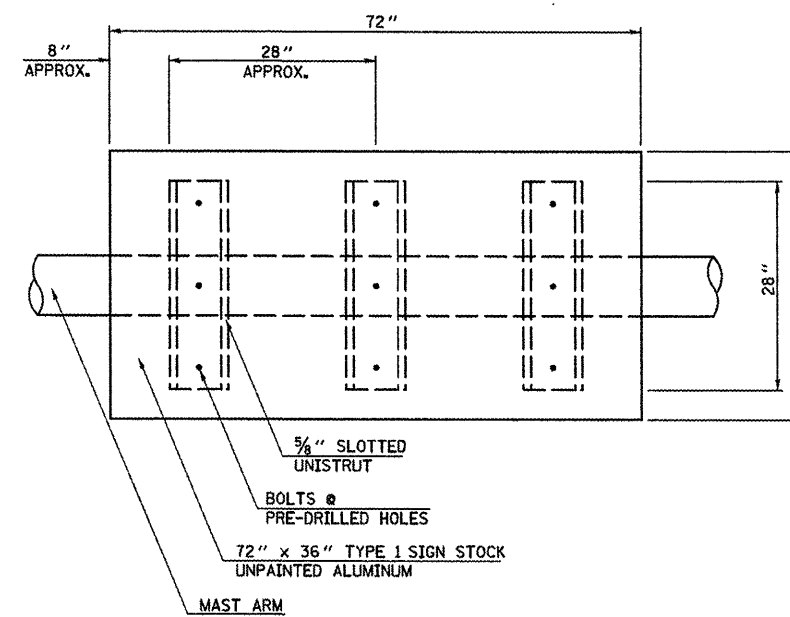
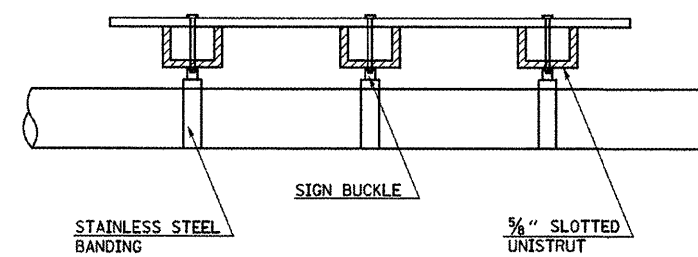


**DETAIL OF MAST ARM FOUNDATION  
BOLT PATTERN**

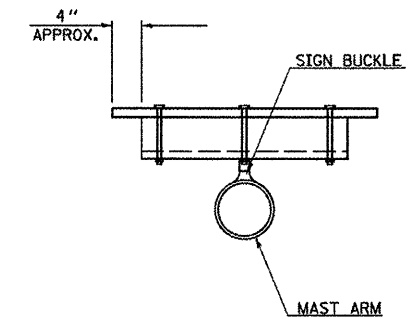
**MAST ARM DAMPENING DEVICE MOUNTING DETAIL**



**PLAN VIEW**



**ELEVATION**



**CROSS SECTION**

**NOTE:** PAINT ENDS OF UNISTRUT WITH SPRAY ON GALVANIZED PAINT

•VARIOUS  
••D-5 OVD SIN STR REPL 2012-06

FILE NAME =	USER NAME = ceerlockjd	DESIGNED -	REVISED -
ct:\pwork\pwork\ceerlockjd\266539\046179-shr-trdffac.dgn		DRAWN -	REVISED -
	PLOT SCALE = 48.0000' / 1"	CHECKED -	REVISED -
	PLOT DATE = 10/7/2011	DATE -	REVISED -

**STATE OF ILLINOIS  
DEPARTMENT OF TRANSPORTATION**

**MCLEAN COUNTY - U.S. 51 BUSINESS  
TRAFFIC SIGNAL MODERNIZATION**

SCALE:	SHEET NO. OF SHEETS	STA. TO STA.
--------	---------------------	--------------

F.A. RTE.	SECTION	COUNTY	TOTAL SHEETS	SHEET NO.
•	••	Various	178	147
CONTRACT NO. 46179				
ILLINOIS FED. AID PROJECT				