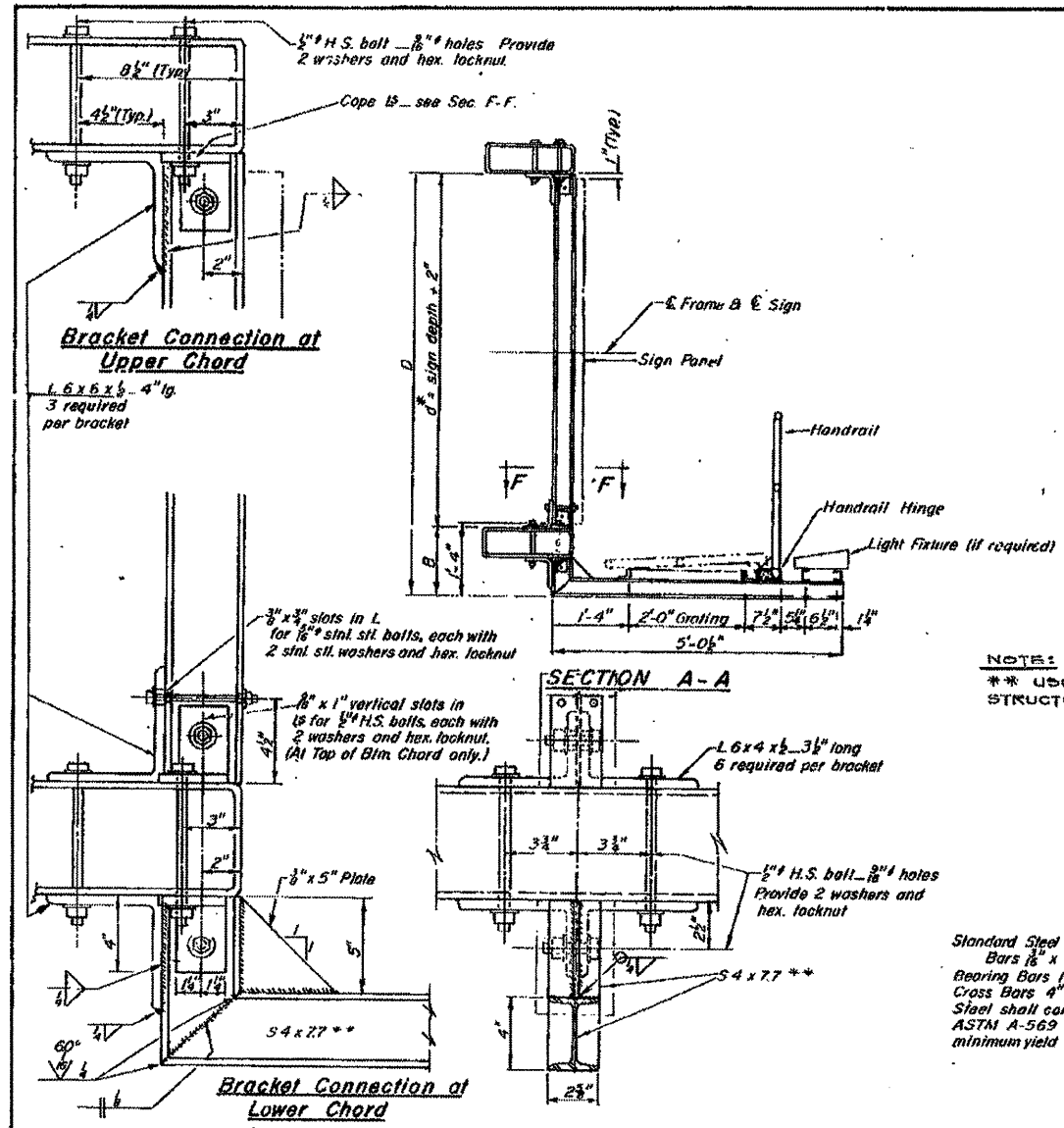


EXISTING INFORMATION ONLY

STATE OF ILLINOIS
DEPARTMENT OF TRANSPORTATION

PROJECT NO.	319	SHEET NO.	125
CONTRACT NO.	McLEAN	SHEETS	

* FAP 412, F.A.I-55, FAP 46 (U.S. RTE. 51)
** I-HBR-4, VDR, 101, 62R, L, SC & TS

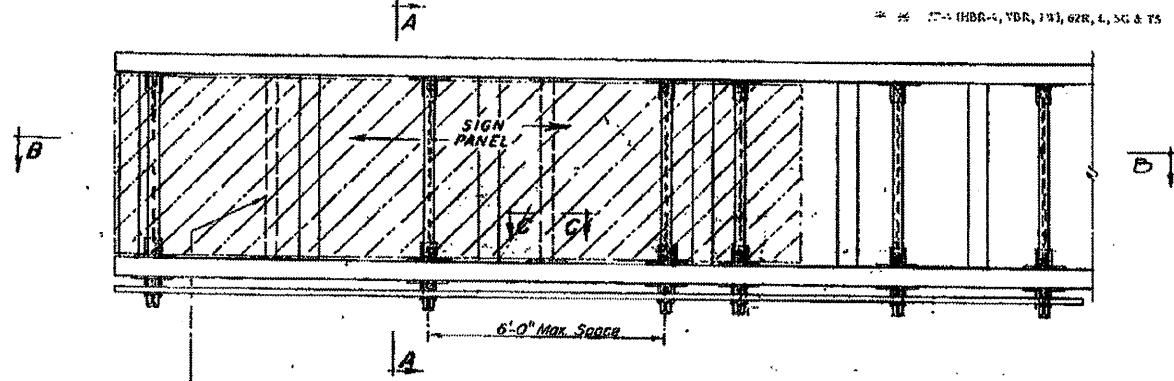


NOTE: Walkway brackets shall conform to requirements of AASHTO M-193

5 S 057 U051 R006.80

Structure Number	Station	B	D	d
T1	155+20.0 (F.A.I-55)	115	15+11	14.15
T2	151+60.0 (F.A.I-55)	115	15+11	14.15
T3	168+00.0 (F.A.I-55)	115	15+11	12.15
T4	184+00.0 (F.A.I-55)	115	14+11	13.15
T5	205+00.0 (F.A.I-55)	115	15+3	14+0
T6	210+00.0 (F.A.I-55)	115	15+5	14+2
T7	27+00.0 (U.S.-91)	115	9+11	8.15

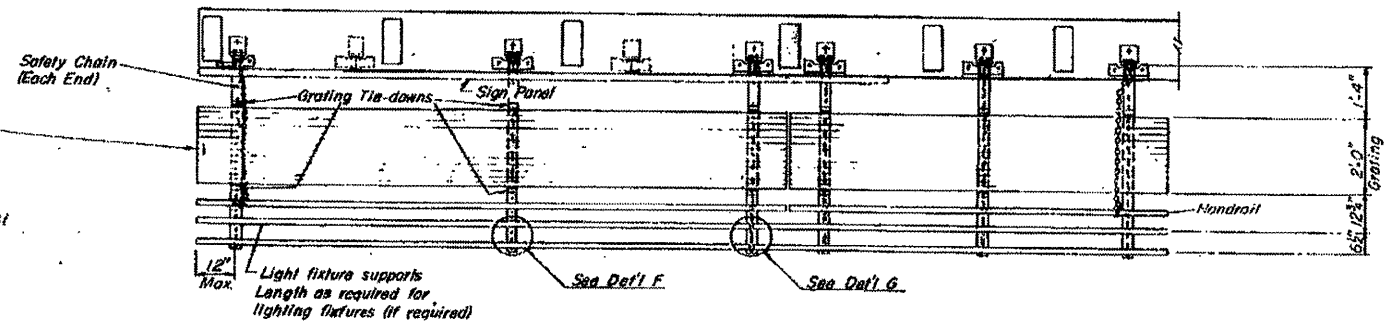
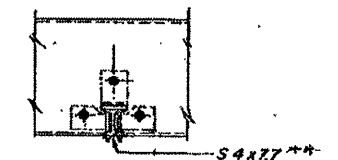
Standard Steel Grating
Bars 1/2" x 1"
Rearranging Bars 1/2" o.c.
Cross Bars 4" o.c.
Steel shall conform to
ASTM A-569 with a
minimum yield of 30,000 psi



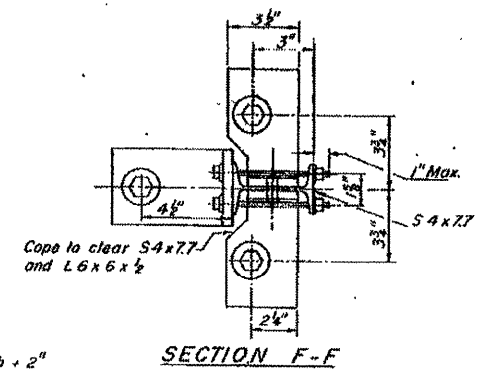
NOTE:
** USE 5510 FOR STRUCTURE #1, #2, #4 AND #6.

54x77 **
AASHTO M-193 Steel
Sign width - 0-10' incl. 2 req'd
10-16' incl. 3 req'd
16-22' incl. 4 req'd
22-28' incl. 5 req'd
28-34' incl. 6 req'd.

For location and date of Sign Panel See other sheets.



Note: Handrail and Grating shall span a minimum of three (3) brackets.



OVERHEAD SIGN STRUCTURES-CANTILEVER STEEL WALKWAY DETAILS

F.A.I-55 AND U.S. RT.51
F.A.P.412
McLEAN COUNTY

DESIGNER	DESIGNED	DATE
CHECKER	CHECKED	DATE
DRAWN	DRAWN	DATE
CHECKER	CHECKED	DATE

OS -S-3- SPECIAL

*VARIOUS COUNTIES
**D-5 OVD SIN STR REPL 2012-06

FILE NAME =	USER NAME = cearlockjd	DESIGNED - JAL	REVISED -
46179-shr-de-tal-udgn	46179-shr-de-tal-udgn	DRAWN -	REVISED -
PLT SCALE = 48.0000 1/4"	PLT SCALE = 48.0000 1/4"	CHECKED -	REVISED -
PLT DATE = 9/21/2011	PLT DATE = 9/21/2011	DATE - 04/26/11	REVISED -

STATE OF ILLINOIS
DEPARTMENT OF TRANSPORTATION

AS-BUILTS
FOR INFORMATION ONLY

SCALE:	SHEET NO. OF SHEETS	STA. TO STA.
--------	---------------------	--------------

F.A. RTE.	SECTION	COUNTY	TOTAL SHEETS	SHEET NO.
*	**	Various	178	156
CONTRACT NO. 46179				
ILLINOIS FED. AID PROJECT				