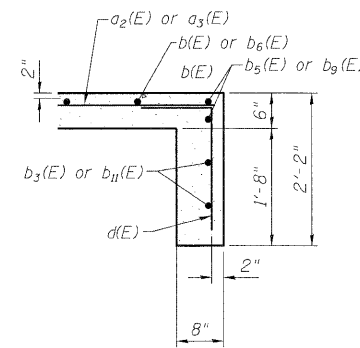
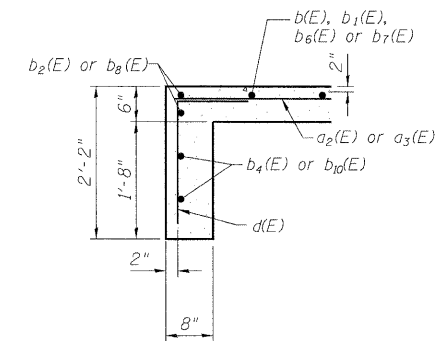


SECTION E-E

(East cut off wall shown for west steel liner, other 3 cut off walls similar).



SECTION F-F



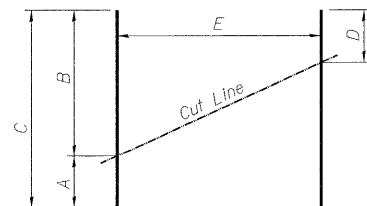
SECTION G-G

NOTES

See sht. S9 of S11 for Bar Splicer Details.
Coordinate this sheet with sheet S3 of S11.

BILL OF MATERIAL

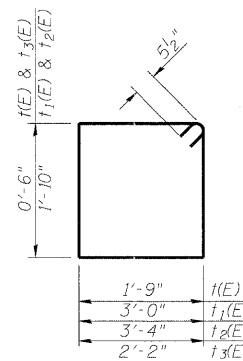
Bar	No.	Size	Length	Shape
a ₂ (E)	7	#5	47'-9"	—
a ₃ (E)	6	#5	46'-2"	—
b(E)	30	#5	12'-7"	—
b ₁ (E)	2	#5	15'-6"	—
b ₂ (E)	2	#5	17'-8"	—
b ₃ (E)	2	#5	17'-2"	—
b ₄ (E)	2	#5	17'-8"	—
b ₅ (E)	2	#5	17'-2"	—
b ₆ (E)	28	#5	10'-5"	—
b ₇ (E)	3	#5	12'-11"	—
b ₈ (E)	2	#5	16'-11"	—
b ₉ (E)	2	#5	15'-9"	—
b ₁₀ (E)	2	#5	16'-11"	—
b ₁₁ (E)	2	#5	15'-9"	—
d(E)	70	#5	2'-9"	—
n(E)	41	#6	6'-1"	—
t(E)	50	#5	5'-5"	□
t ₁ (E)	98	#5	10'-7"	□
t ₂ (E)	23	#5	11'-3"	□
t ₃ (E)	49	#5	6'-3"	□
w(E)	12	#5	14'-4"	—
w ₁ (E)	12	#5	12'-6"	—
w ₂ (E)	48	#5	17'-7"	—
w ₃ (E)	8	#5	3'-11"	—
w ₄ (E)	8	#5	3'-1"	—
w ₅ (E)	4	#5	7'-4"	—
w ₆ (E)	4	#5	13'-11"	—
w ₇ (E)	12	#5	11'-8"	—
w ₈ (E)	12	#5	14'-7"	—
Rock Excavation for Structures			Cu. Yd.	4
Concrete Structures			Cu. Yd.	45.0
Reinforcement Bars, Epoxy Coated			Pound	5910
Bar Splicers			Each	32



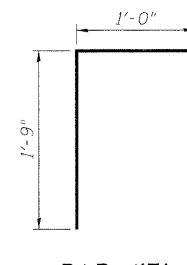
FIELD CUTTING DIAGRAM

Order a₂(E), a₃(E), b₁(E), b₇(E), w₅(E) & w₆(E) bars full length. Cut as shown and use remainder of bars in opposite face.

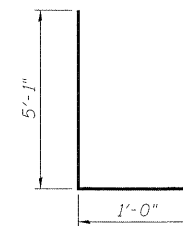
Bar	A	B	C	D	E
a ₂ (E)	22'-4"	25'-5"	47'-9"	24'-0"	14- #5 a ₂ (E) bars
a ₃ (E)	20'-10"	25'-4"	46'-2"	23'-3"	12- #5 a ₃ (E) bars
b ₁ (E)	3'-7"	11'-11"	15'-6"	9'-2"	4- #5 b ₁ (E) bars
b ₇ (E)	2'-3"	10'-8"	12'-11"	7'-4"	6- #5 b ₇ (E) bars
w ₅ (E)	3'-1"	4'-3"	7'-4"	3'-1"	4- #5 w ₅ (E) bars
w ₆ (E)	6'-7"	7'-4"	13'-11"	6'-7"	4- #5 w ₆ (E) bars



BARS t(E), t₁(E), t₂(E), & t₃(E)



BAR d(E)



BAR n(E)