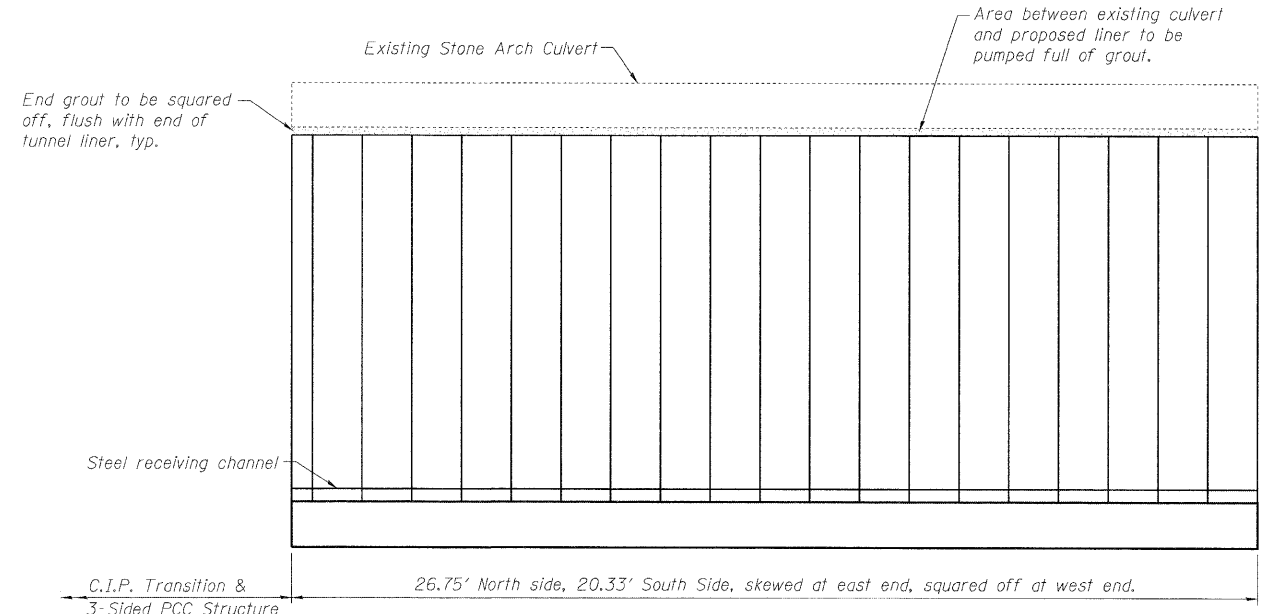
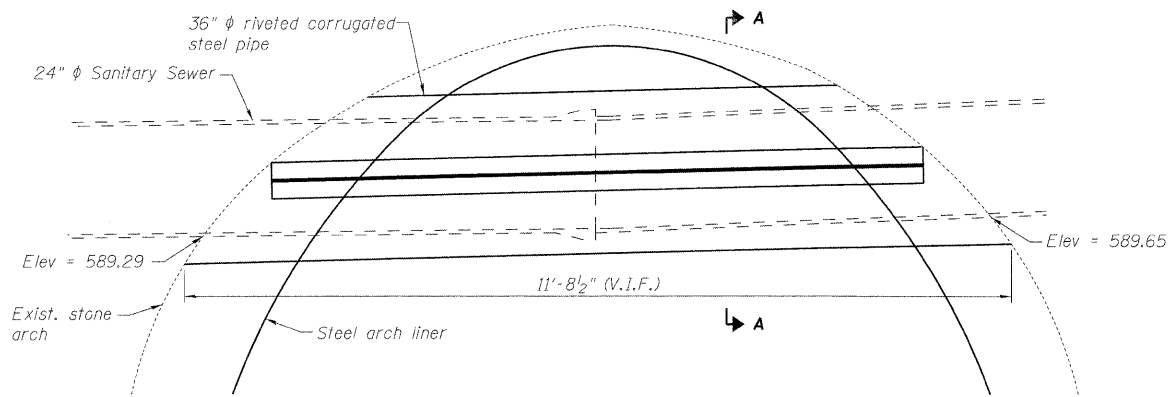


**WEST END STEEL LINER**

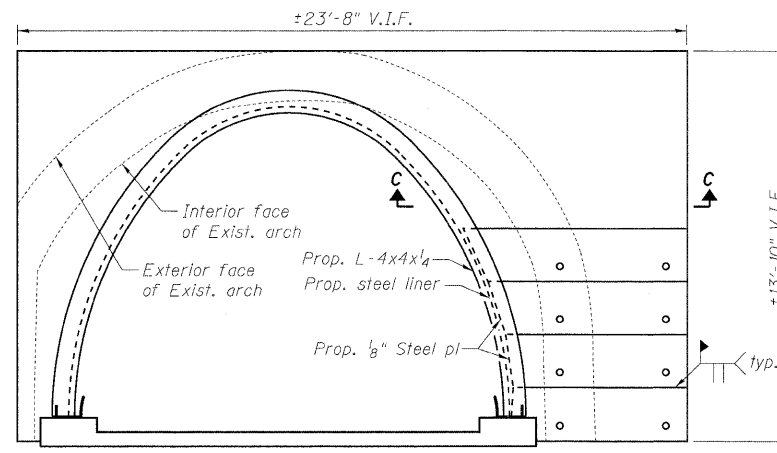


**EAST END STEEL LINER**

**ELEVATION PROPOSED CORRUGATED STEEL PLATE ARCH LINER**

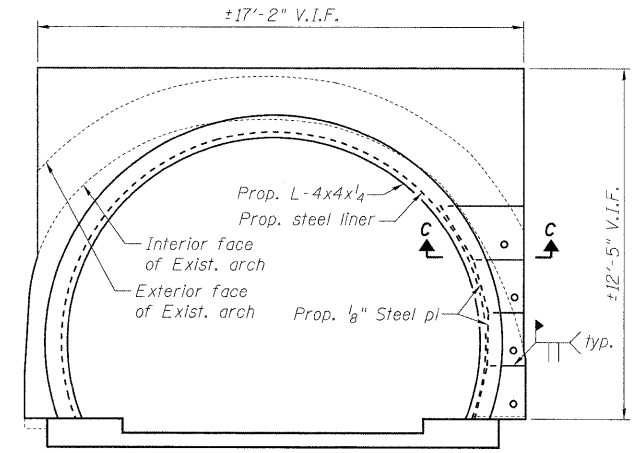


**ELEVATION STEEL SLEEVE FOR SANITARY SEWER AT STA 3+26.45**



**WEST END**

(Looking east at west end steel liner at west end ROW)



**EAST END**

(Looking west at east end steel liner at east end ROW)

**ELEVATION END OF STEEL LINER DETAIL**

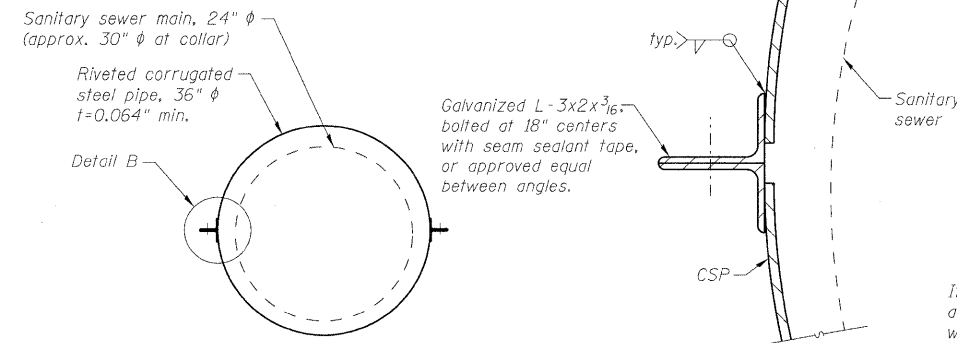
**Note:**  
Dimensions of the steel liner end plate are approximate and shall be field verified before any materials are ordered. Based on the approximate dimensions, it is estimated that the end of steel liner plate with cover an area of 268 sq ft. The angle and steel plate for the end of steel liner detail shall be included in the cost of Furnishing and Erecting Structural Steel.

**BILL OF MATERIAL**

Item	Unit	Total
Corrugated Steel Arch Liner	Foot	48
Riveted Corrugated Steel Pipe	L. Sum	1

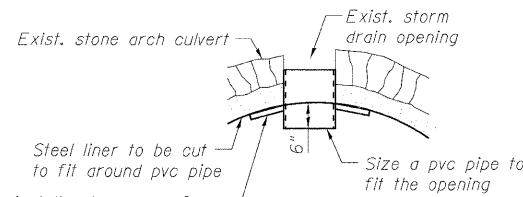
**NOTES**

Steel plate for end of liner detail shall be hot dipped galvanized according to AASHTO M111 or M232 as applicable. Steel plate shall be sized and cut in field to allow for better fit. There shall be no splice in the Riveted Corrugated Steel Pipe. The pipe shall be long enough to span the entire length required. The cost including all material, equipment and labor to install the PVC for the existing storm drains shall not be paid for separately, but shall be included in the cost of Corrugated Steel Arch Liner. The Riveted Corrugated Steel Pipe shall be temporarily supported until the Steel Arch Liner has been installed around the sleeve, and the grout has been pumped in behind the liner, therefore securing the sleeve in place. This work shall not be paid for separately, but shall be included in the cost of Riveted Corrugated Steel Pipe.

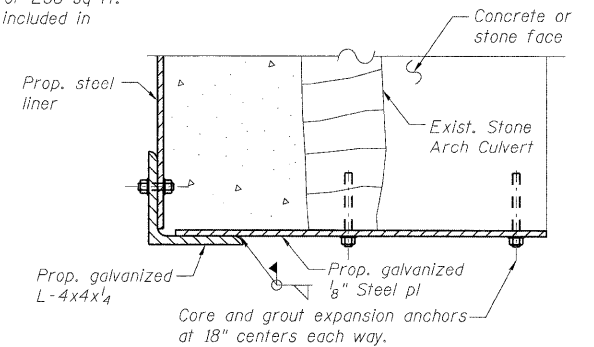


**SECT A-A**

**DETAIL B**



**STORM DRAIN DETAIL**



**SECT C-C**