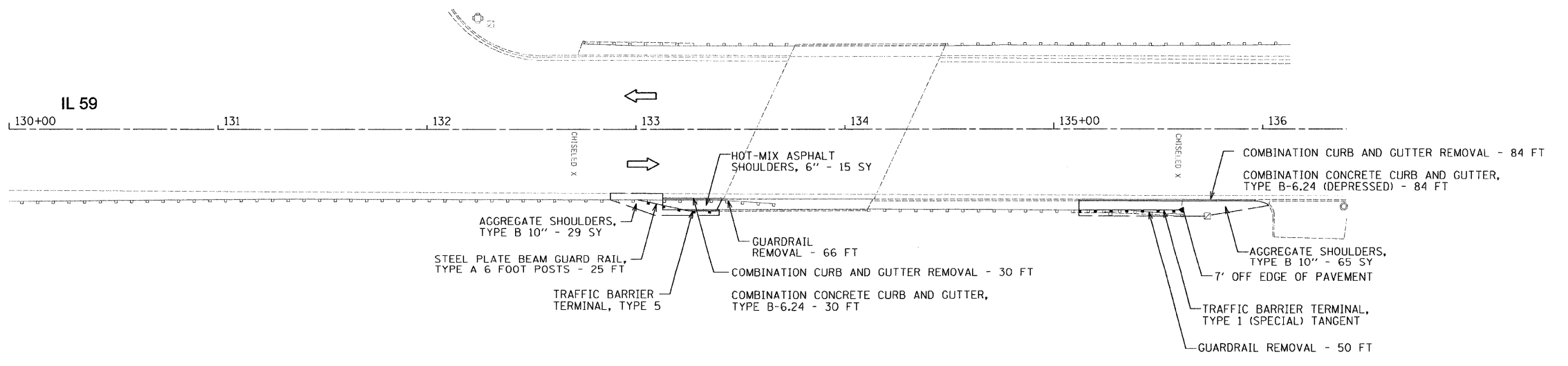
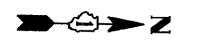


LOCATION 11



LOCATION 13

P:\pba2011\20113012-04\cad\site\ogn\00\0160M56-ant-plan05.dgn  
 11/9/2011 3:26:24 PM

FILE NAME =	USER NAME = .USER.	DESIGNED - EAF	REVISED -	<b>STATE OF ILLINOIS</b> <b>DEPARTMENT OF TRANSPORTATION</b>	<b>GUARDRAIL IMPROVEMENTS - DuPAGE COUNTY</b> <b>ROADWAY PLANS</b>			F.A. RTE.	SECTION	COUNTY	TOTAL SHEETS	SHEET NO.
#FILEL#		DRAWN - EAF	REVISED -		2010-119-GRR	DuPAGE	17	9				
PLOT SCALE = 30,0000' / IN.		CHECKED - RS	REVISED -		CONTRACT NO. 60M56							
PLOT DATE = 11/9/2011		DATE - 11/10/2011	REVISED -		SCALE: 30	SHEET NO. 5 OF 8 SHEETS	STA.	TO STA.				
					ILLINOIS FED. AID PROJECT							