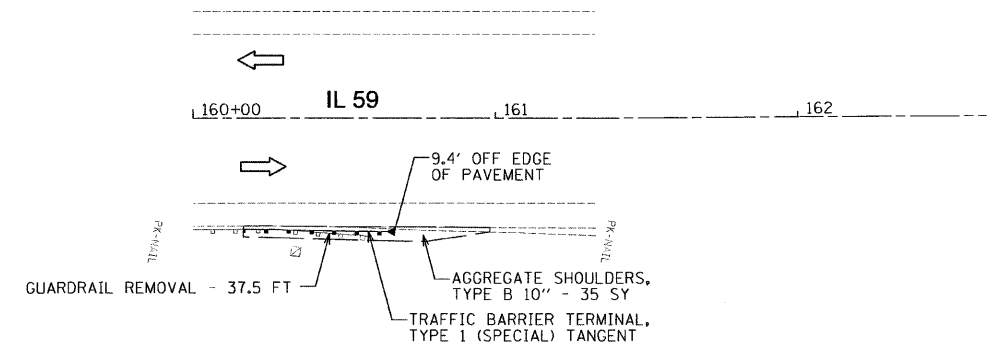
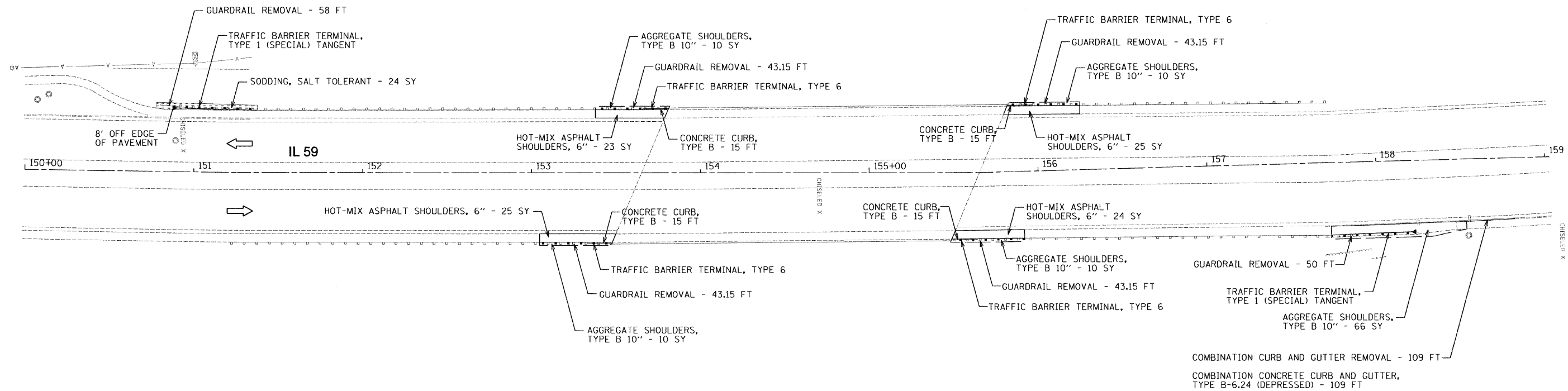


LOCATION 14



LOCATION 16
SOUTH OF WAYWOOD DR.



LOCATION 15

p:\p022011\2011012-04\cod\site\ dgn\00\160M56-shi-plan06.dgn
 11/9/2011 3:26:29 PM

FILE NAME =	USER NAME = USER.	DESIGNED - EAF	REVISED -	STATE OF ILLINOIS DEPARTMENT OF TRANSPORTATION	GUARDRAIL IMPROVEMENTS - DuPAGE COUNTY ROADWAY PLANS			F.A. RTE.	SECTION	COUNTY	TOTAL SHEETS	SHEET NO.
#FILEL*		DRAWN - EAF	REVISED -		SCALE: 30	SHEET NO. 6 OF 8 SHEETS	STA.	TO STA.	2010-119-GRR	DUPAGE	17	10
	PLOT SCALE = 30.0000' / IN.	CHECKED - RS	REVISED -						VARIOUS ROUTES		CONTRACT NO. 60M56	
	PLOT DATE = 11/9/2011	DATE - 11/10/2011	REVISED -						ILLINOIS FED. AID PROJECT			