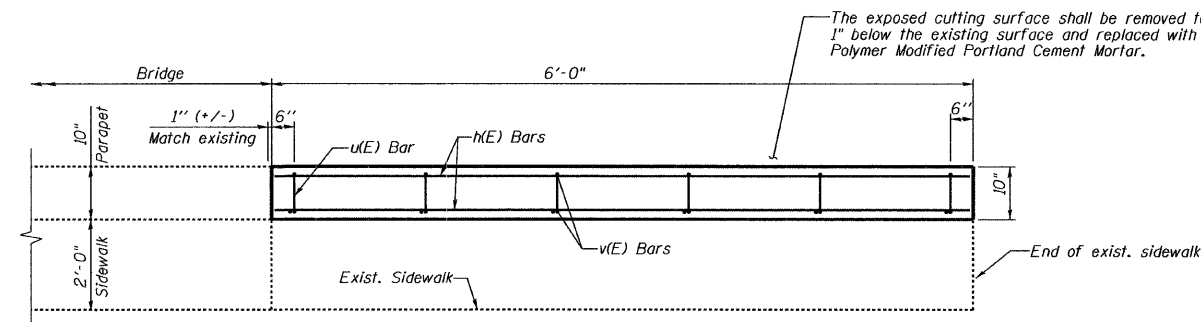
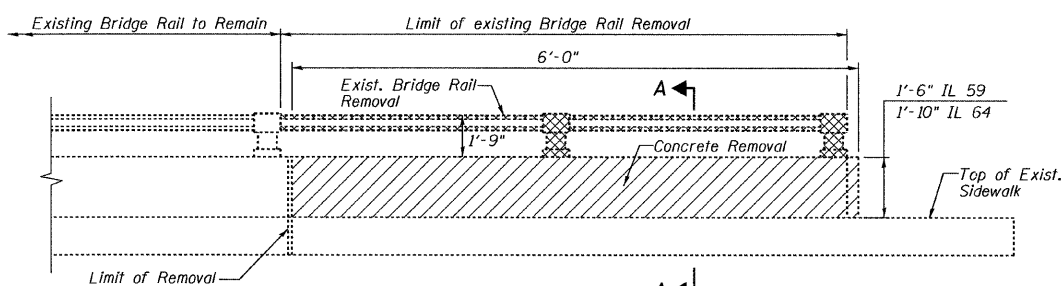


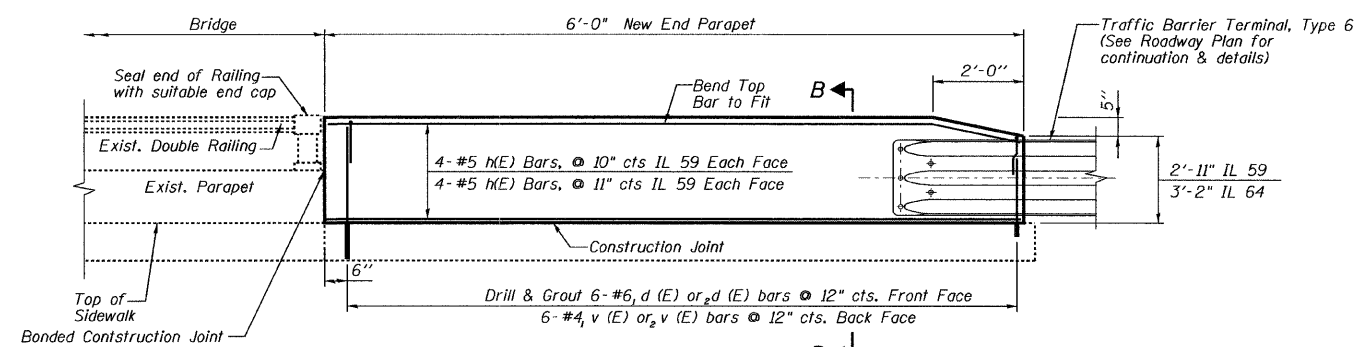
**CONCRETE REMOVAL PLAN**



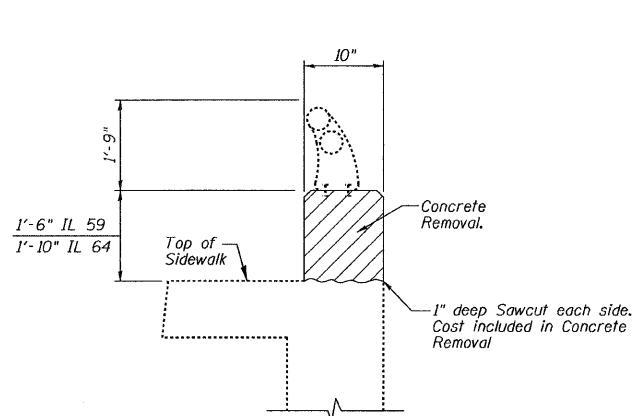
**NEW END PARAPET PLAN**



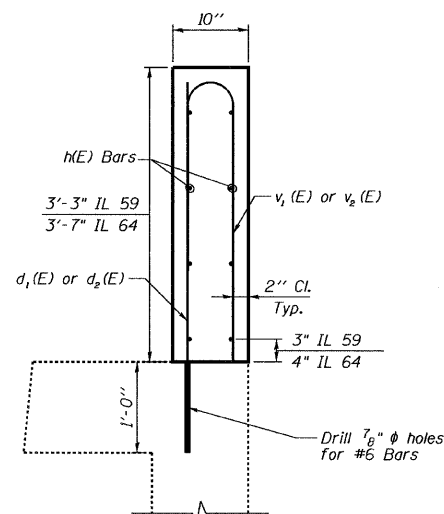
**REMOVAL ELEVATION**



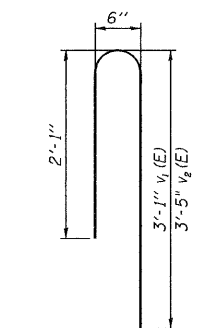
**NEW END PARAPET ELEVATION (FRONT VIEW)**



**SECTION A-A**



**SECTION B-B**



**BARS v<sub>1</sub> (E) & v<sub>2</sub> (E)**

**NOTES**

1. Reinforcement bars shall conform to the requirements of ASTM A 706 Gr. 60. See Special Provisions.
2. Reinforcement bars designated (E) shall be epoxy coated.
3. Plan dimensions and details relative to existing plans are subject to nominal construction variations. The Contractor shall field verify existing dimensions and details affecting new construction and make necessary approved adjustments prior to construction or ordering of materials. Such variations shall not be cause for additional compensation for a change in scope of the work, however, the Contractor will be paid for the quantity actually furnished at the unit price bid for the work.
4. Drilling and grouting bars shall be in accordance with Section 584 of the Standard Specifications.

**BILL OF MATERIAL**

Bar	No.	Size	Length	Shape
d <sub>1</sub> (E)	24	#6	4'-1"	—
d <sub>2</sub> (E)	12	#6	4'-5"	—
h (E)	48	#5	5'-8"	—
v <sub>1</sub> (E)	24	#4	5'-5"	↪
v <sub>2</sub> (E)	12	#4	5'-9"	↪
Concrete Removal			Cu. Yd.	1.8
Bridge Rail Removal			LF	60
Concrete Superstructure			Cu. Yd.	3.7
Reinforcement Bars, Epoxy Coated			Pound	643
Drill and Grout Dowel Bars			Each	36

The quantities above include:  
4 new end parapets for IL 59  
2 new end parapets for IL 64

P:\Jobs\2011\20110302-04\_CAD\Site\re.dgn 00\DI60M66-sht-wingwall.dgn  
 1/9/2011 3:53:10 PM

**GRÄEF**  
 8501 N. Higgins Road, Suite 200  
 Chicago, Illinois 60631; (773) 399-0112

USER NAME =	DESIGNED - X.X.X. 11/10/2011	REVISED -
PLOT SCALE =	CHECKED - X.X.X. 11/10/2011	REVISED -
PLOT DATE =	DRAWN - X.X.X. 11/10/2011	REVISED -
	CHECKED - X.X.X. 11/10/2011	REVISED -

**STATE OF ILLINOIS  
 DEPARTMENT OF TRANSPORTATION**

**END PARAPET RECONSTRUCTION  
 IL 59 OVER RR AND IL 64 OVER I-355**

SHEET NO. 1 OF 2 SHEETS

F.A. RTE.	SECTION	COUNTY	TOTAL SHEETS	SHEET NO.
	2010-119-GRR	DUPAGE	17	13
VARIOUS ROUTES		CONTRACT NO. 60M56		
ILLINOIS FED. AID PROJECT				