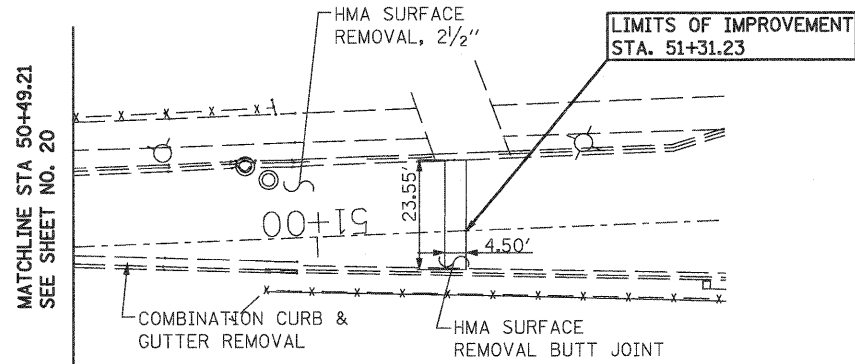
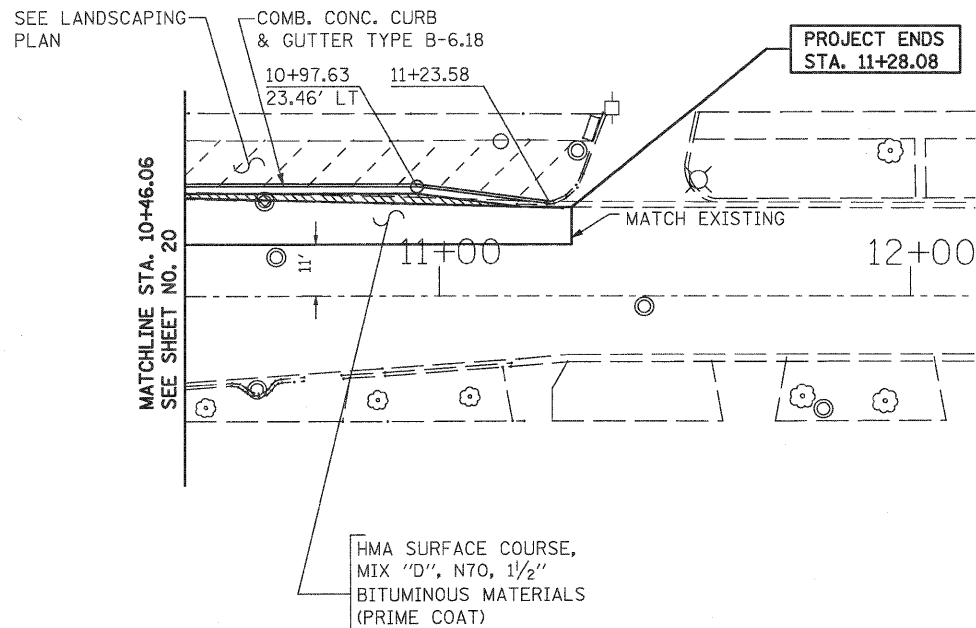


*STREET PARKING WILL BE ELIMINATED

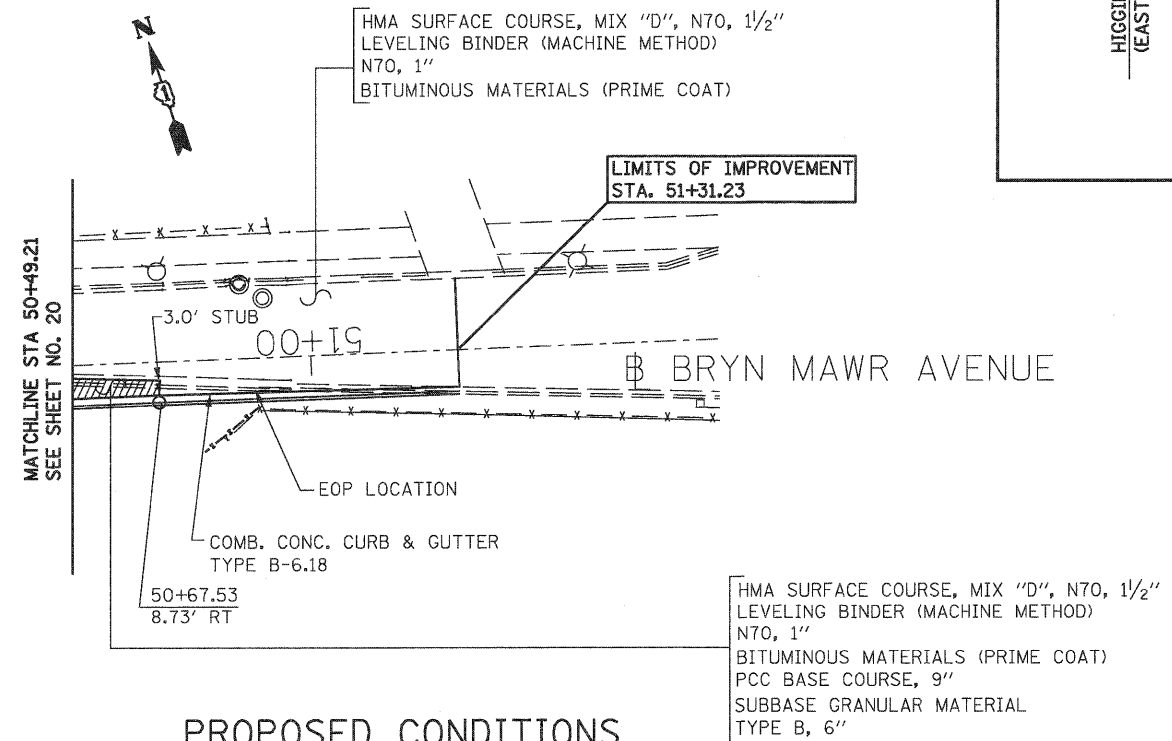
**EXISTING CONDITIONS
ORIOLE AVENUE**



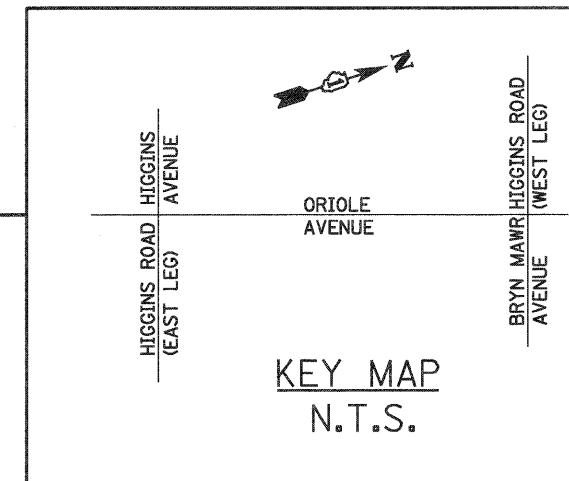
**EXISTING CONDITIONS
BRYN MAWR AVENUE**



**PROPOSED CONDITIONS
ORIOLE AVENUE**



**PROPOSED CONDITIONS
BRYN MAWR AVENUE**



LEGEND - PROPOSED
 PAVEMENT WIDENING



9901 S. Western Ave.
 Chicago, IL 60643
 Ph. 773-881-4788
 F: 773.239.3728

DESIGNED	TS	REVISED	-
CHECKED	TPP	REVISED	-
DRAWN	JS	REVISED	-
CHECKED	TPP	REVISED	-

**STATE OF ILLINOIS
 DEPARTMENT OF TRANSPORTATION**

**ORIOLE AVENUE AT I-90
 STRUCTURE NO. 016-1101**

**ROADWAY PLAN ORIOLE AVE. &
 BRYN MAWR AVE.**

SCALE: 1" = 20' SHEET NO. OF SHEETS STA. VARIES TO STA. VARIES

F.A.I. RTE.	SECTION	COUNTY	TOTAL SHEETS	SHEET NO.
90	1515.1-B	COOK	101	21
CONTRACT NO. 60M79				
ILLINOIS FED. AID PROJECT				