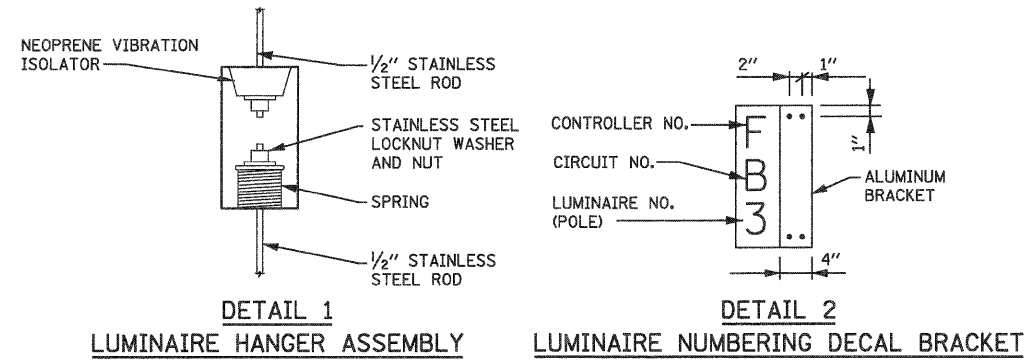
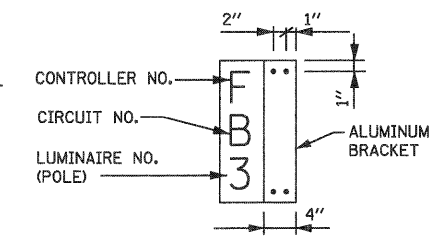


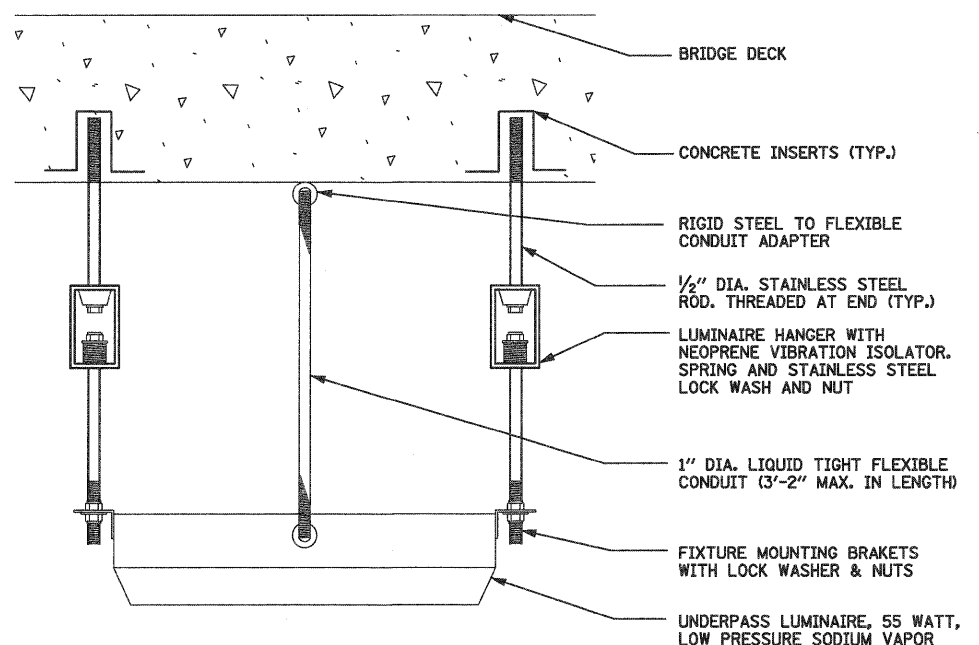
PARTIAL BRIDGE SECTION VIEW LOOKING WEST
NOT TO SCALE



DETAIL 1
LUMINAIRE HANGER ASSEMBLY

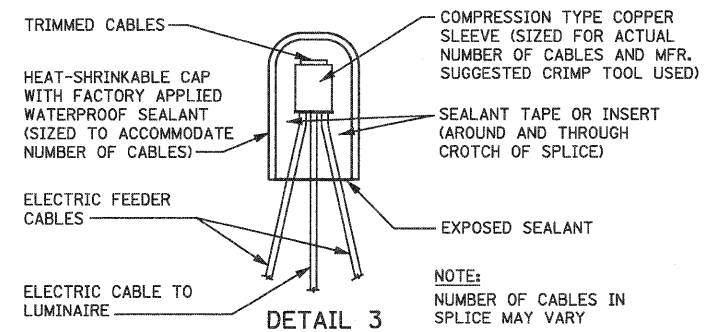


DETAIL 2
LUMINAIRE NUMBERING DECAL BRACKET



TYPICAL UNDERPASS LUMINAIRE INSTALLATION DETAIL

NOT TO SCALE



DETAIL 3
ELECTRIC CABLE SPLICE

NOTE:
NUMBER OF CABLES IN
SPLICE MAY VARY



9901 S. Western Ave.
Chicago, IL 60643
Ph. 773-881-4788
F: 773.239.3728

DESIGNED	TS	REVISED	-
CHECKED	TPP	REVISED	-
DRAWN	JS	REVISED	-
CHECKED	TPP	REVISED	-

STATE OF ILLINOIS
DEPARTMENT OF TRANSPORTATION

ORIOLE AVENUE AT I-90
STRUCTURE NO. 016-1101

IDOT
SECTIONS, DETAILS AND PARTIAL PLAN
ORIOLE AVENUE

F.A.I. RTE.	SECTION	COUNTY	TOTAL SHEETS	SHEET NO.
90	1515.1-B	COOK	101	38
CONTRACT NO. 60M79				
ILLINOIS FED. AID PROJECT				

DWG. E-7

SCALE: NONE SHEET NO. XX OF XX SHEETS STA. TO STA.