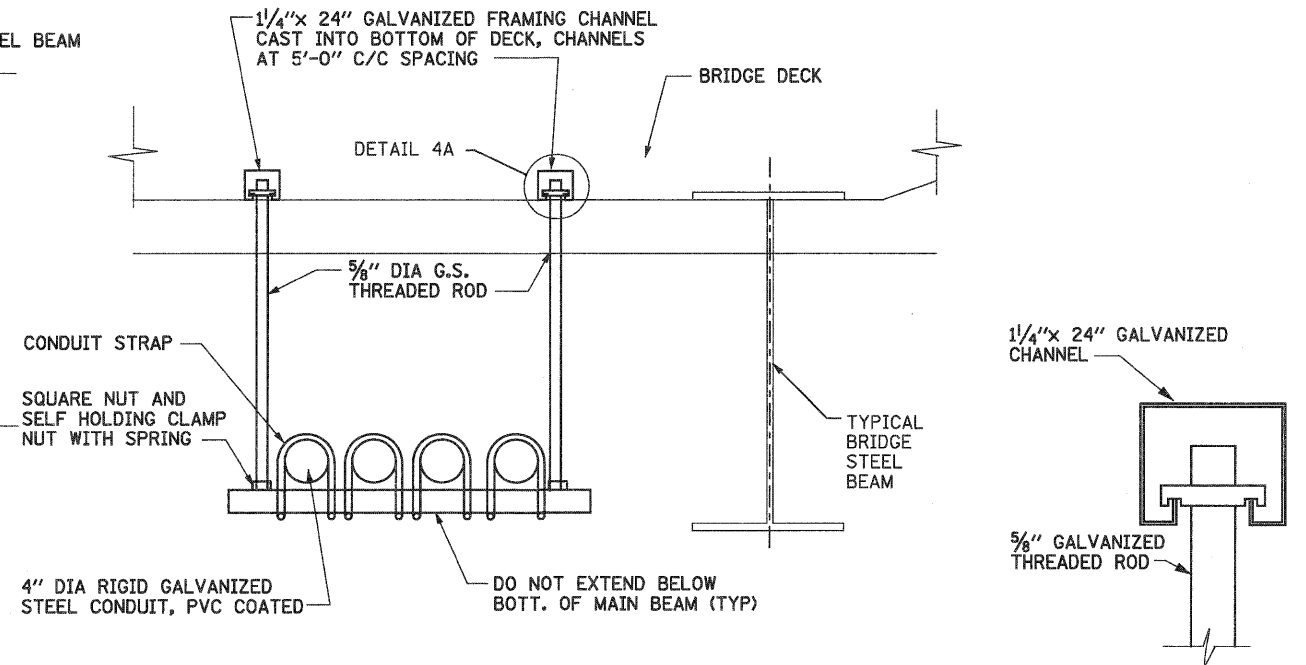
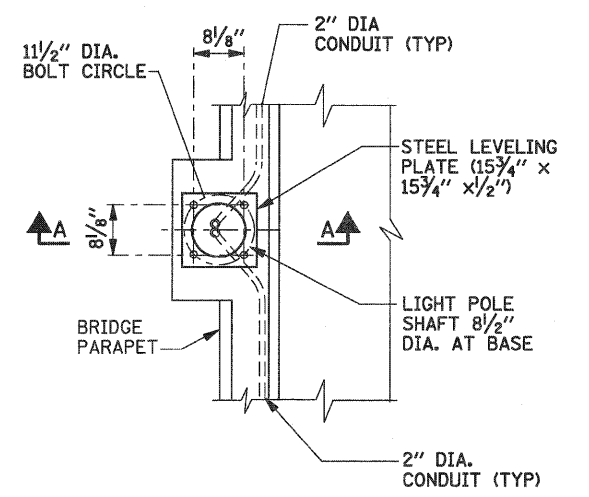


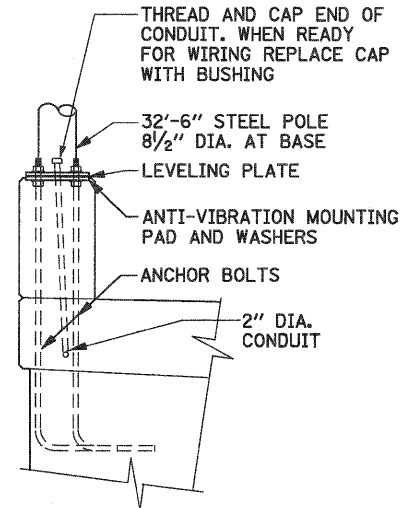
PARTIAL PLAN AT SOUTHWEST ABUTMENT
 (SIMILAR BUT OPPOSITE HAND FOR NORTHWEST ABUTMENT)
 NOT TO SCALE



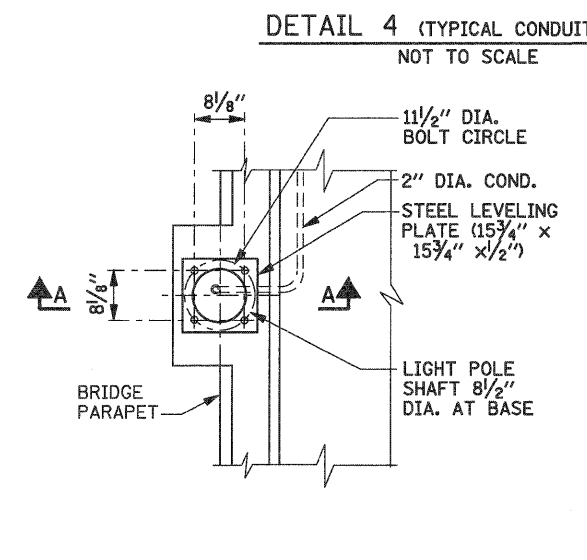
DETAIL 4A
 NOT TO SCALE



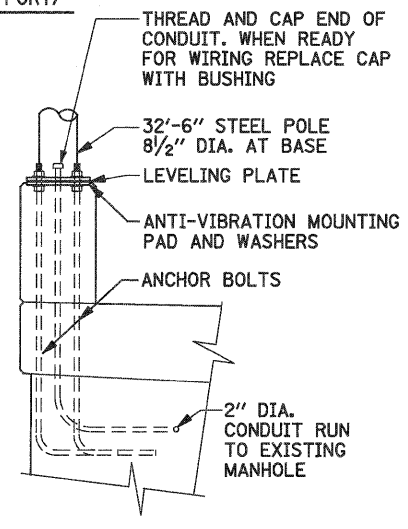
LIGHT POLE PLAN & LEVELING PLATE DETAIL (*)



SECTION A-A (*)



LIGHT POLE PLAN & LEVELING PLATE DETAIL (*)



SECTION A-A (*)

DETAIL 5 (TYPICAL FOR LIGHT STANDARD MOUNTED ON BRIDGE PARAPET)
 (*) (FOR DIMENSIONS AND INFORMATION NOT NOTED SEE STRUCTURAL DRAWINGS)
 NOT TO SCALE

DETAIL 6 (TYPICAL FOR LIGHT STANDARD MOUNTED AT BRIDGE ENDS)
 (*) (FOR DIMENSIONS AND INFORMATION NOT NOTED SEE STRUCTURAL DRAWINGS)
 NOT TO SCALE



9901 S. Western Ave.
 Chicago, IL 60643
 Ph. 773-881-4788
 F: 773.239.3728

DESIGNED	TS	REVISED	-
CHECKED	TPP	REVISED	-
DRAWN	JS	REVISED	-
CHECKED	TPP	REVISED	-

STATE OF ILLINOIS
DEPARTMENT OF TRANSPORTATION

ORIOLE AVENUE AT I-90
STRUCTURE NO. 016-1101

CITY OF CHICAGO
TYPICAL SECTIONS AND DETAILS
ORIOLE AVENUE AT I-90

SCALE: NONE SHEET NO. XX OF XX SHEETS STA. TO STA.

F.A.I. RTE.	SECTION	COUNTY	TOTAL SHEETS	SHEET NO.
90	1515.1-B	COOK	101	39
CONTRACT NO. 60M79			ILLINOIS FED. AID PROJECT	