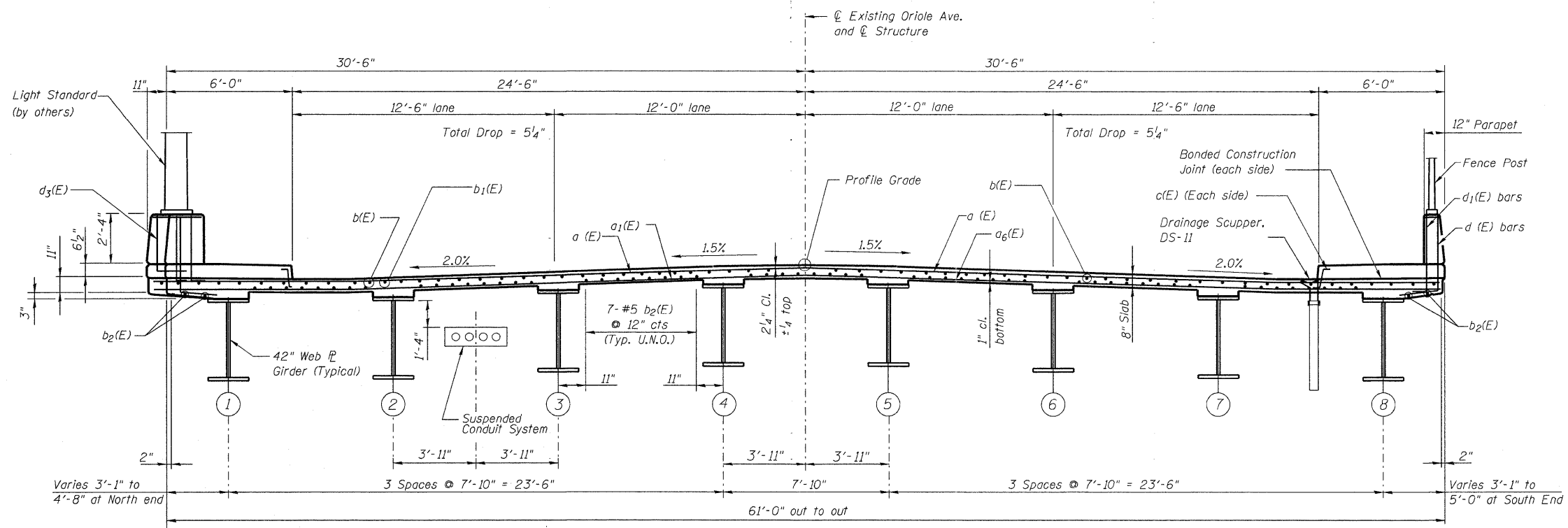
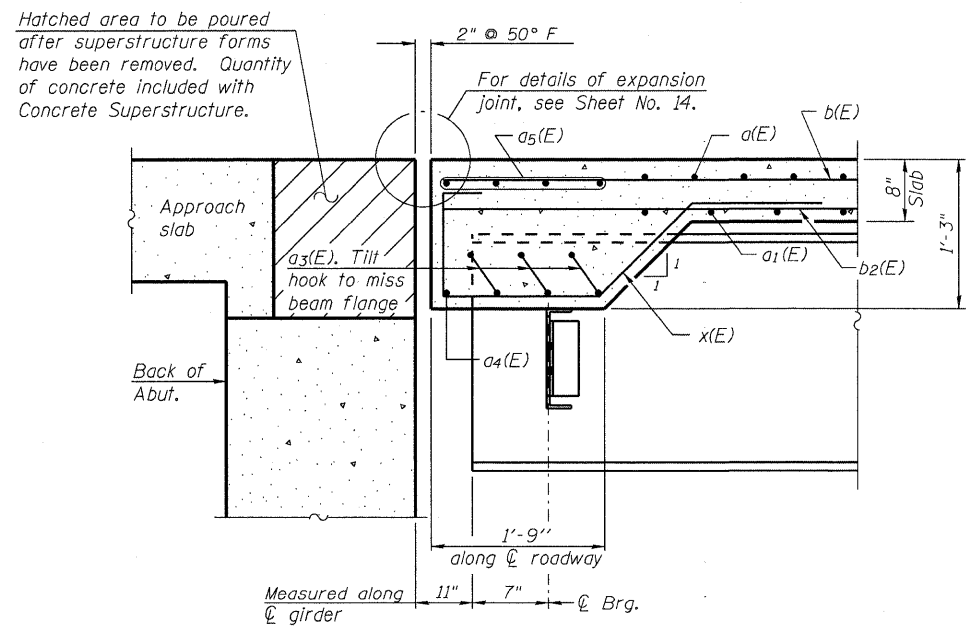


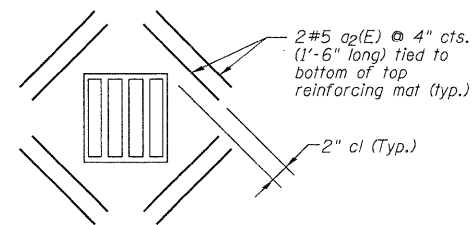
12/7/2011 12:38:40 PM J:\2009\246 IDOT PTB 153 Item 2\Cadd\Design\016-1101\N.O. 15 Oriole Steel Plans\016-1101.dgn



**CROSS SECTION ( SHOWING DECK REINF. ONLY )**  
Looking North



**SECTION A-A**



**TYPICAL SCUPPER DETAIL**  
Note: Cut longitudinal reinforcement to clear drainage scuppers.



**ABNA**  
DESIGN FIRM REG. 184.002117

9901 S. Western Ave.  
Chicago, IL 60643  
Ph. 773-881-4788  
F: 773.239.3728

DESIGNED - SEA	REVISED -
CHECKED - RJL	REVISED -
DRAWN - JJE / SCS	REVISED -
CHECKED - SEA	REVISED -

**STATE OF ILLINOIS**  
**DEPARTMENT OF TRANSPORTATION**

**DECK CROSS SECTIONS**  
**STRUCTURE NO. 016-1101**

SHEET NO. 7 OF 36 SHEETS

F.A.J. RTE.	SECTION	COUNTY	TOTAL SHEETS	SHEET NO.
90	1515.1-B	COOK	101	50
STA. TO STA.	CONTRACT NO. 60M79			
FED. ROAD DIST. NO.	ILLINOIS FED. AID PROJECT			