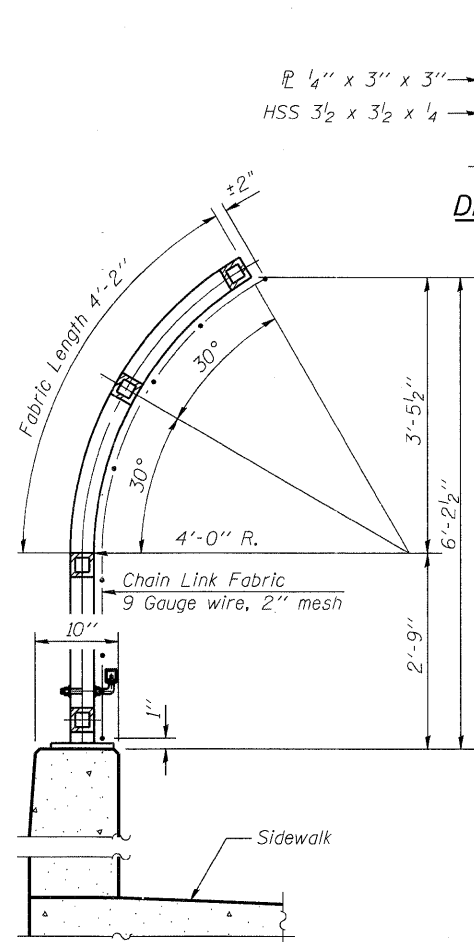
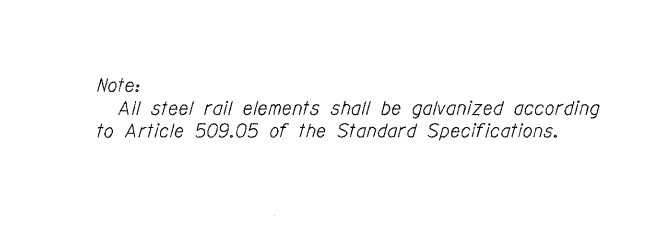
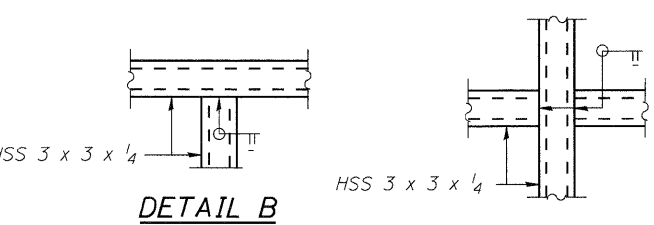
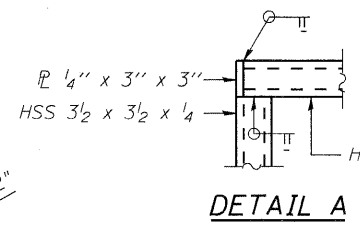


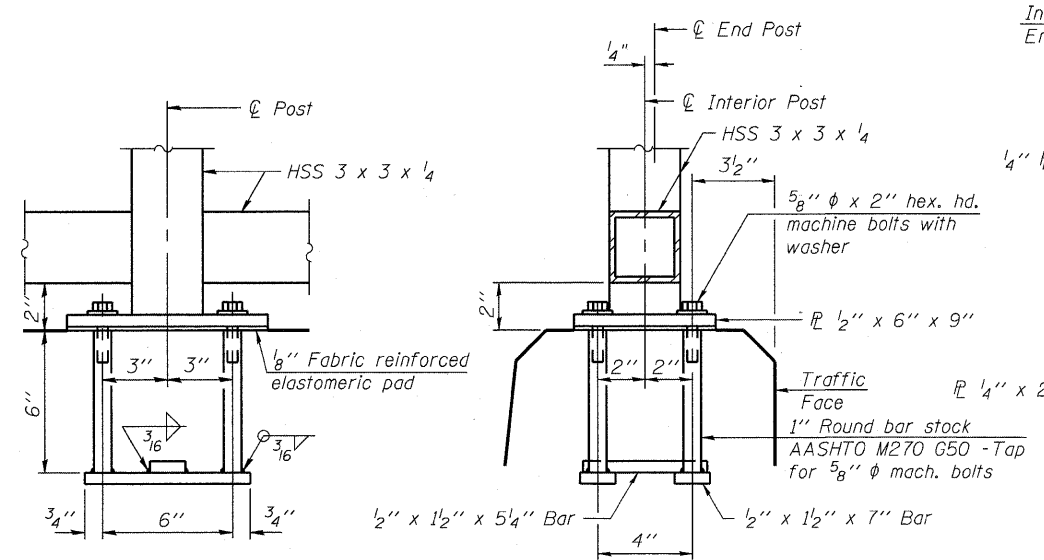
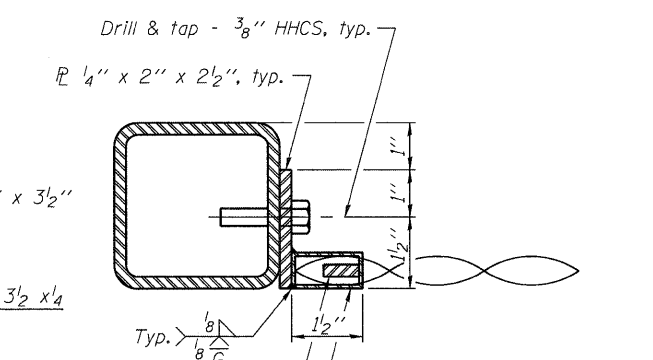
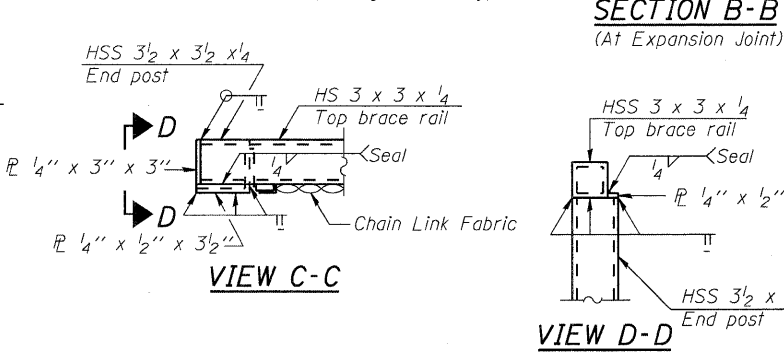
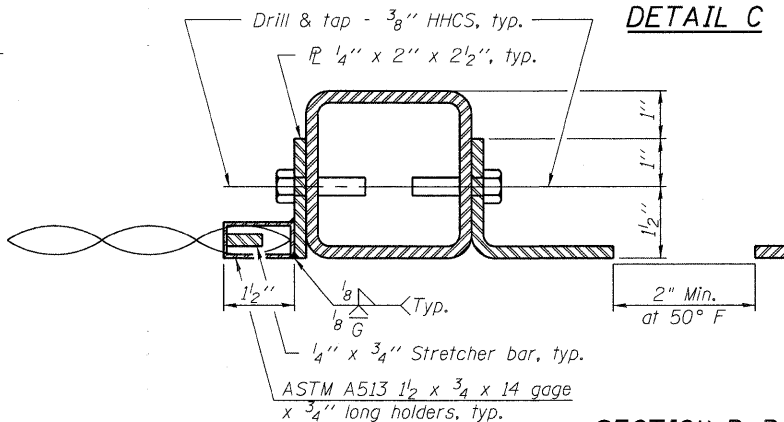
ELEVATION
(Inside Face)



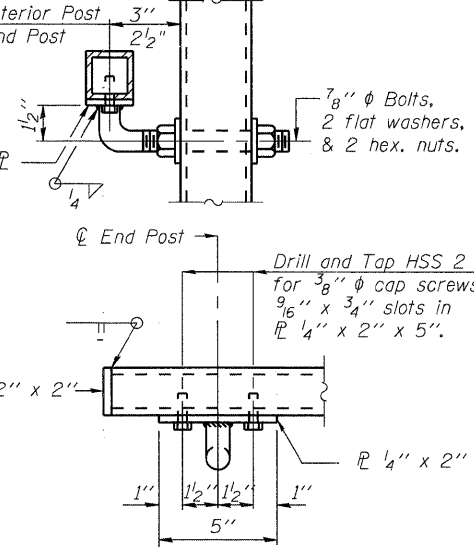
SECTION A-A



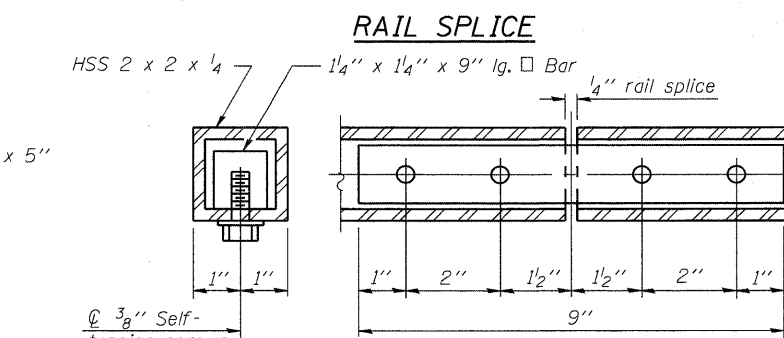
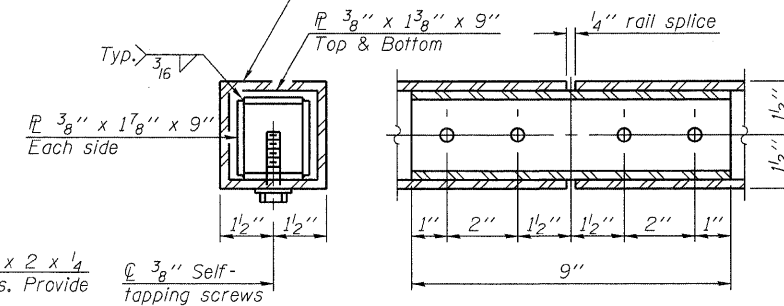
Note:
All steel rail elements shall be galvanized according to Article 509.05 of the Standard Specifications.



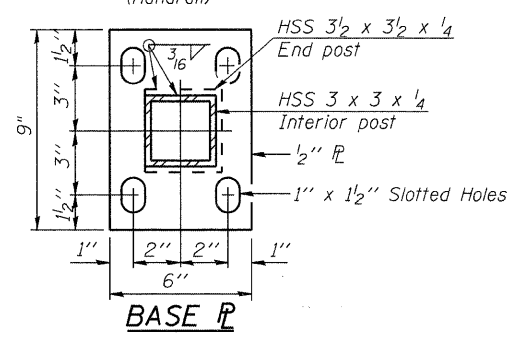
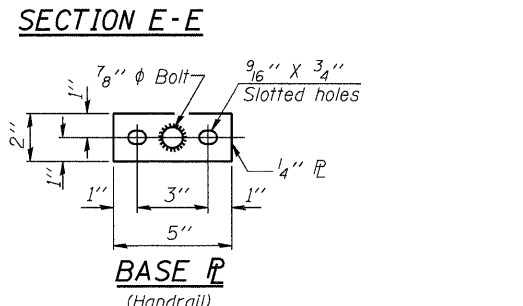
In lieu of the cast-in-place anchor device shown, the Contractor has the option of drilling and setting 5/8" φ anchor rods according to Article 509.06 of the Standard Specifications. Embedment shall be according to the manufacturer's specifications.



HANDRAIL DETAIL



HANDRAIL SPLICE



BILL OF MATERIAL

Item	Unit	Quantity
Bridge Fence Railing	Foot	442

R-32

7-1-10

ABNA
DESIGN FIRM REG. 184.002117

9901 S. Western Ave.
Chicago, IL 60643
Ph. 773-881-4788
F: 773.239.3728

DESIGNED - TBS	REVISIONS -
CHECKED - R.J.L.	REVISIONS -
DRAWN - J.J.E.	REVISIONS -
CHECKED - SEA	REVISIONS -

STATE OF ILLINOIS
DEPARTMENT OF TRANSPORTATION

BRIDGE FENCE RAILING, PARAPET MOUNTED
STRUCTURE NO. 016-1101

SHEET NO. 13 OF 36 SHEETS

F.A.U. RTE.	SECTION	COUNTY	TOTAL SHEETS	SHEET NO.
90	1515.1-B	COOK	101	56
STA. TO STA.	CONTRACT NO.		60M79	
FED. ROAD DIST. NO.	ILLINOIS FED. AID PROJECT			