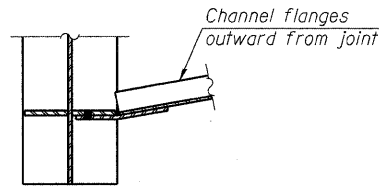
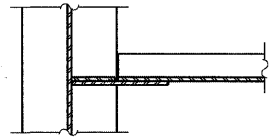


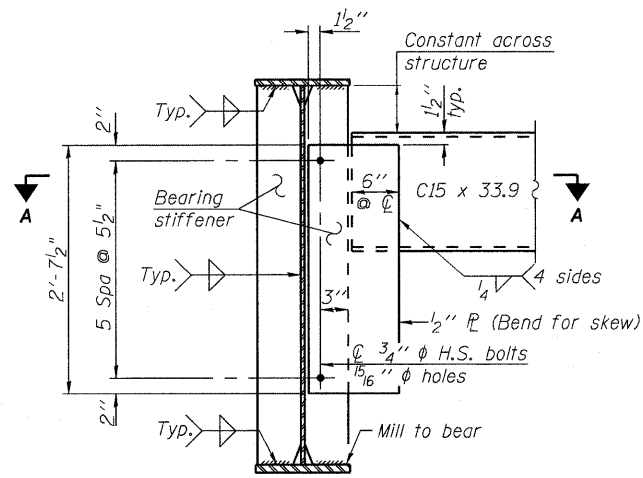
J:\2009\246 IDOT PTB 153 Item 21\Cadd\Design\016-1101\W.D.15 Ortole Steel Plans\016-1101.dgn 12:38:32 PM 12/7/2011



SECTION A-A

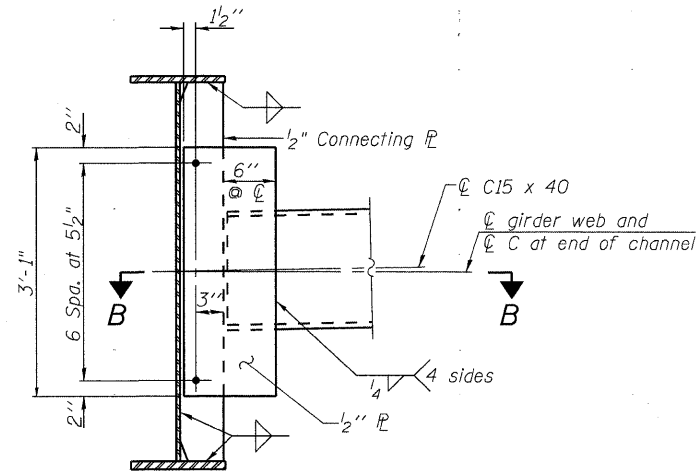


SECTION B-B



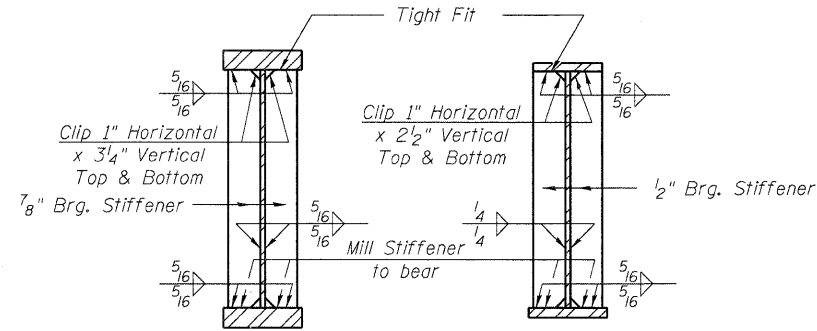
END DIAPHRAGM (D1)

Note: Two hardened washers required for each set of oversized holes.



INTERIOR DIAPHRAGM (D2)

Note:
 Two hardened washers required for each set of oversized holes.
 *Alternate channels C15 x 50 are permitted to facilitate material acquisition. Calculated weight of structural steel is based on the lighter section.
 The alternate, if utilized, shall be provided at no additional cost to the Department.



SECTION AT PIER

SECTION AT ABUTMENT



9901 S. Western Ave.
 Chicago, IL 60643
 Ph. 773-881-4788
 F: 773.239.3728

DESIGNED - SEA	REVISED -
CHECKED - RJL	REVISED -
DRAWN - JJE / SCS	REVISED -
CHECKED - SEA	REVISED -

STATE OF ILLINOIS
 DEPARTMENT OF TRANSPORTATION

DIAPHRAGM DETAILS
 STRUCTURE NO. 016-1101

SHEET NO. 18 OF 36 SHEETS

F.A.U. RTE.	SECTION	COUNTY	TOTAL SHEETS	SHEET NO.
90	1515.1-B	COOK	101	61
STA. TO STA.		CONTRACT NO. 60M79		
FED. ROAD DIST. NO. ILLINOIS FED. AID PROJECT				