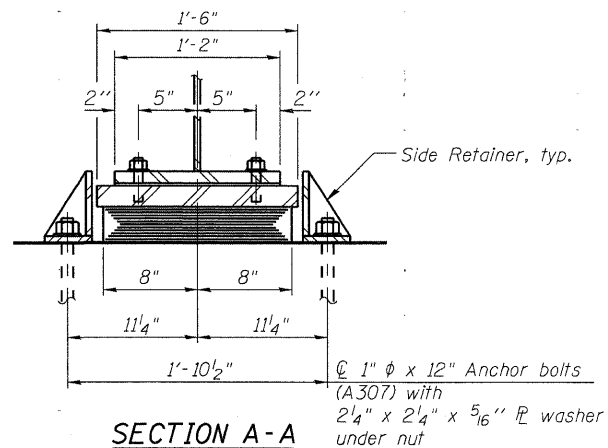
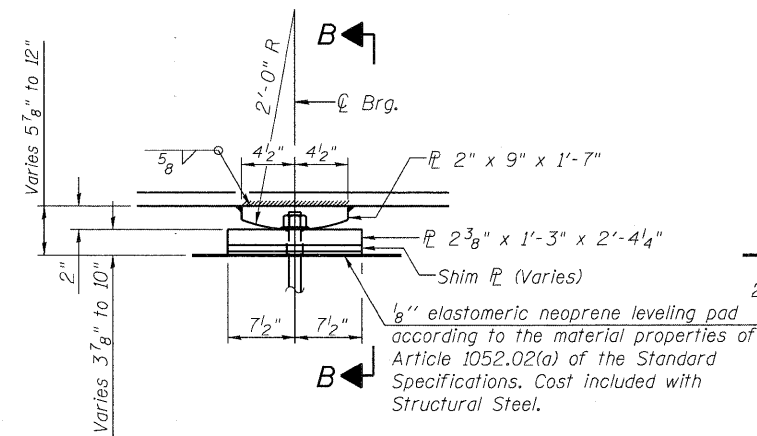


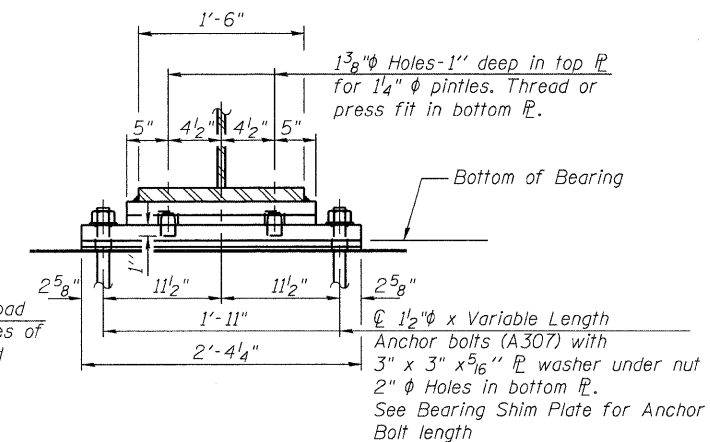
ELEVATION AT ABUT.



SECTION A-A

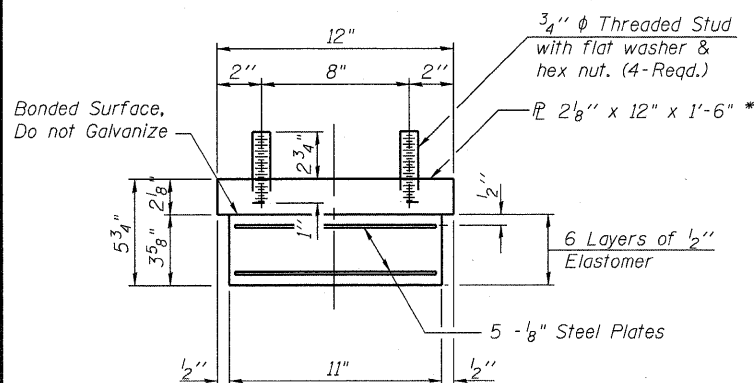


ELEVATION AT PIER



SECTION B-B

TYPE I ELASTOMERIC EXP. BRG.



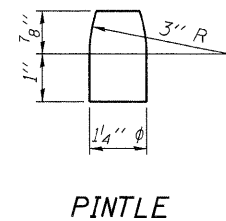
BEARING ASSEMBLY

Note:
Shim plates shall not be placed under Bearing Assembly.
* AASHTO M270 Grade 50

BEARING SHIM PLATES (SOUTH ABUTMENT)		
GIRDER	THICKNESS	NUMBER REQUIRED
4	5/8"	1

Notes:
Anchor bolts shall be ASTM F1554 all-thread (or an Engineer-approved alternate material) of the grade(s) and diameter(s) specified. ASTM A307 Grade C anchor bolts may be used in lieu of ASTM F1554 Grade 36 (Fy=36ksi). The corresponding specified grade of AASHTO M314 anchor bolts may be used in lieu of ASTM F1554.
Anchor bolts of fixed bearings may be either cast in place or installed in holes drilled after the supported member is in place.
Anchor bolts for side retainers may be cast in place or installed in holes drilled before or after members are in place.
Drilled and set anchor bolts shall be installed according to Article 521.06 of the Standard Specifications.
Side retainers and other steel members required for the elastomeric bearing assembly shall be included in the cost of Elastomeric Bearing Assembly, Type I.
All Bearing Plates, Side Retainers, Anchor Bolts, nuts, washers and pintles shall be galvanized according to AASHTO M111 or M232 as applicable.
The structural steel plates of the Bearing Assembly shall conform to the requirements of AASHTO M 270 Grade 50.
Two 1/8 in. adjusting shims shall be provided for each bearing in addition to all other plates or shims and placed as shown on bearing details.

FIXED BEARING

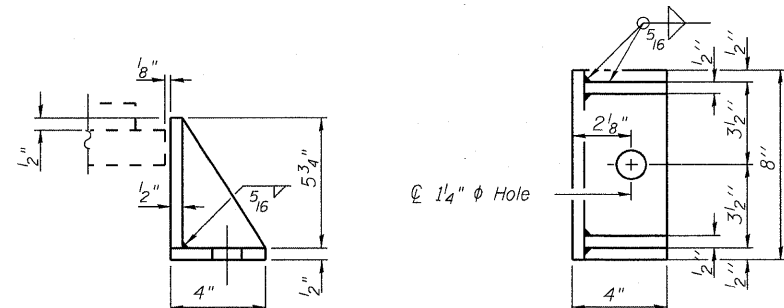


PINTLE

Note:
Anchor Bolts shall have a minimum embedment of 15" in 18" drilled holes.

BEARING SHIM PLATES (PIER 2)			
GIRDER	THICKNESS*	NUMBER REQUIRED	ANCHOR BOLT LENGTH
1	3/8"	1	24"
2	4 3/4"	1	25"
3	6 1/2"	1	27"
4	7 5/8"	1	28"
5	7 3/8"	1	28"
6	5 3/4"	1	26"
7	3 3/4"	1	24"
8	1 1/2"	1	22"
MISC.	1/2"	8	

* Shim plate thickness is bottom of bearing elevation minus existing top of pier 2 elevation. Field verify after concrete removal.



SIDE RETAINER

Equivalent rolled angle with stiffeners will be allowed in lieu of welded plates.

BILL OF MATERIAL

Item	Unit	Total
Elastomeric Bearing Assembly Type 1	Each	16
Anchor Bolts, 1"	Each	32
Anchor Bolts, 1 1/2"	Each	16