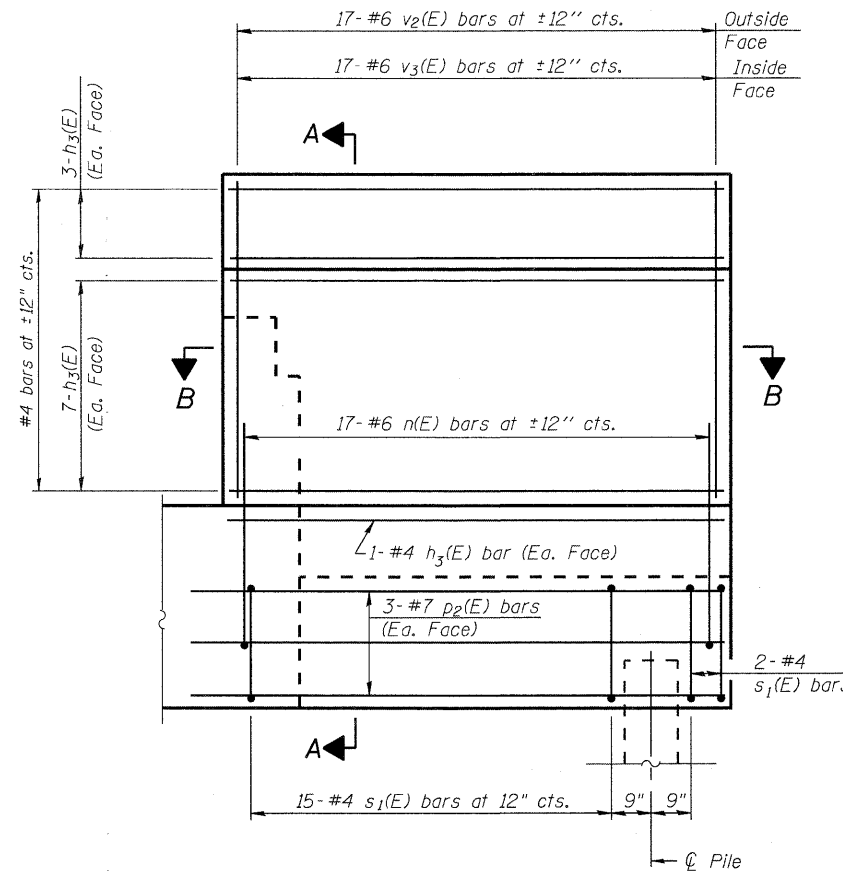
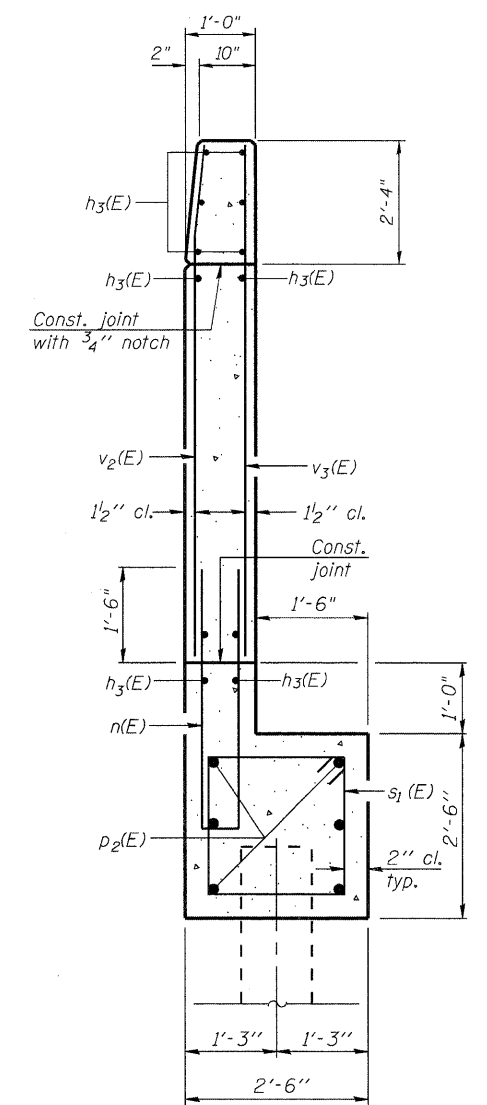


WEST WING WALL ELEVATION
Showing Dimensions

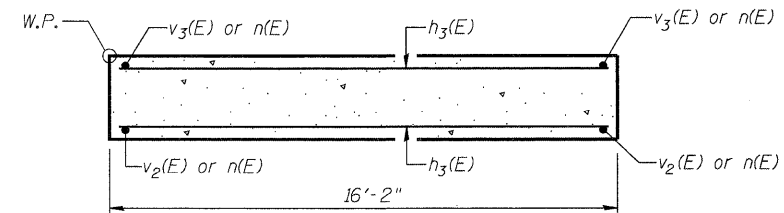
End Post shall be poured after bridge parapet is in place. Form top surface to match parapet grade.



WEST WING WALL ELEVATION
Showing Reinforcement

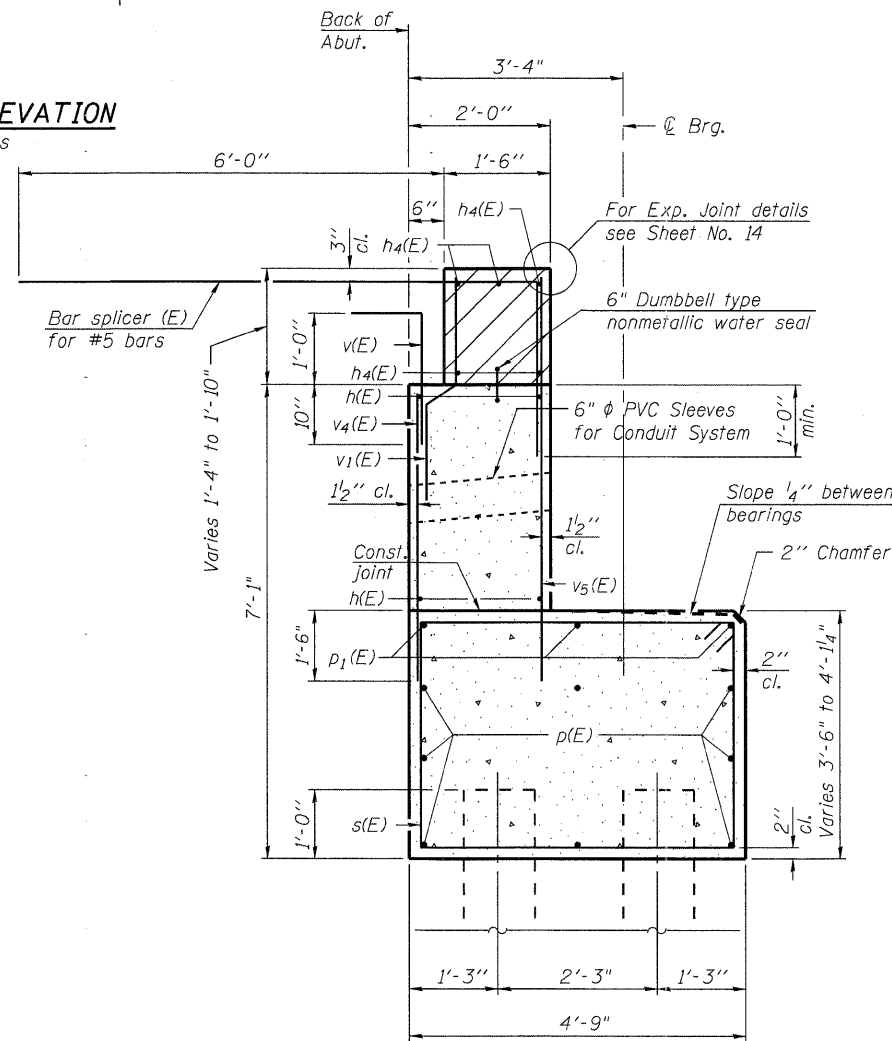


SECTION A-A



SECTION B-B

Notes:
 Hatched area to be poured after superstructure false work has been removed, see Sheet No. 7. Quantity of concrete included with Concrete Superstructure.
 Space reinforcement in cap to miss anchor bolts.
 Pour steps monolithically with cap.
 Quantity of concrete in end post included with Concrete Superstructure on Sheet No. 11.



SECTION THRU ABUTMENT