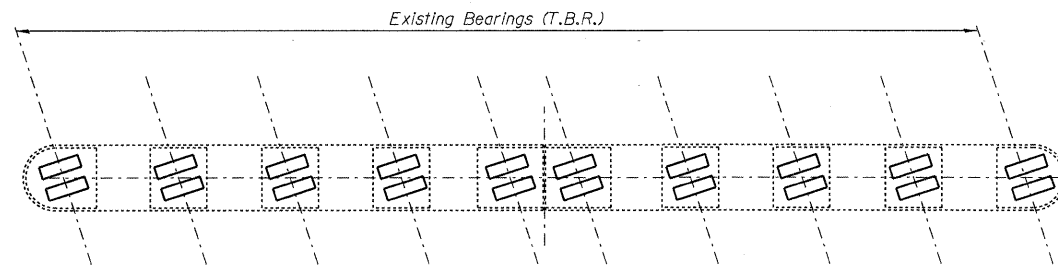
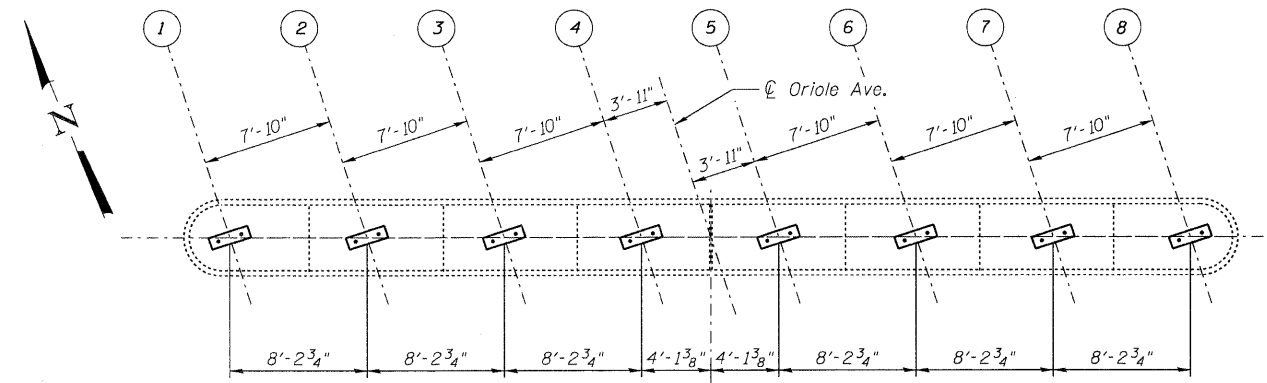


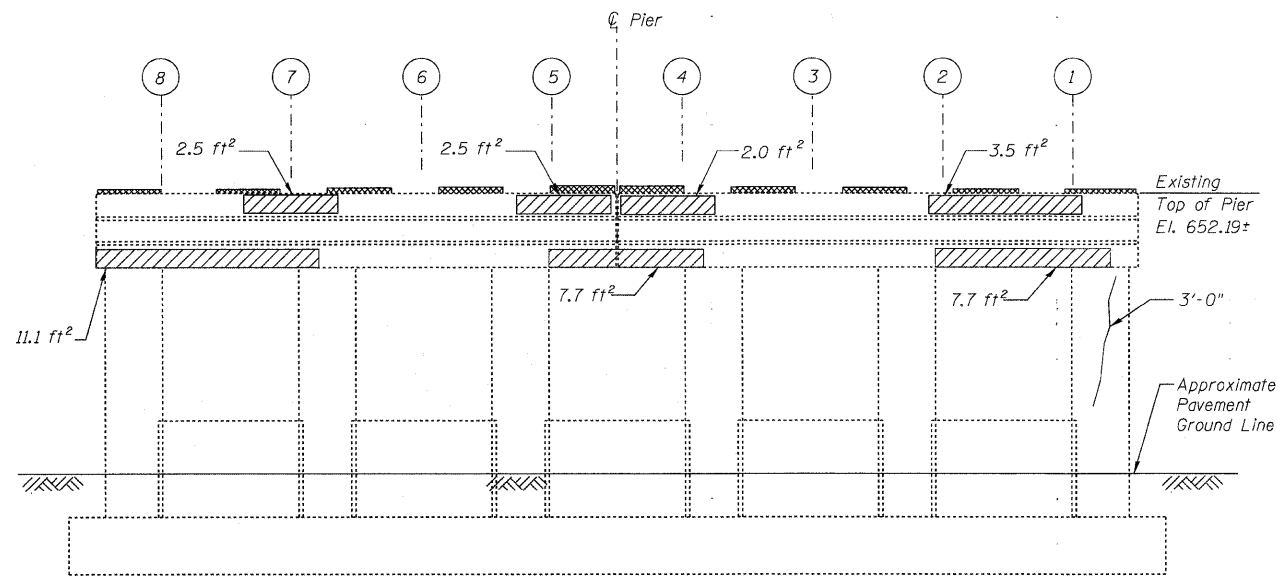
12/7/2011 12:38:51 PM J:\2009\246 IDOT PTB I53 Item 21\Cadd\Design\016-1101\W.D.15 Oriole Steel Plans\016-1101.dgn



EXISTING PLAN PIER 2

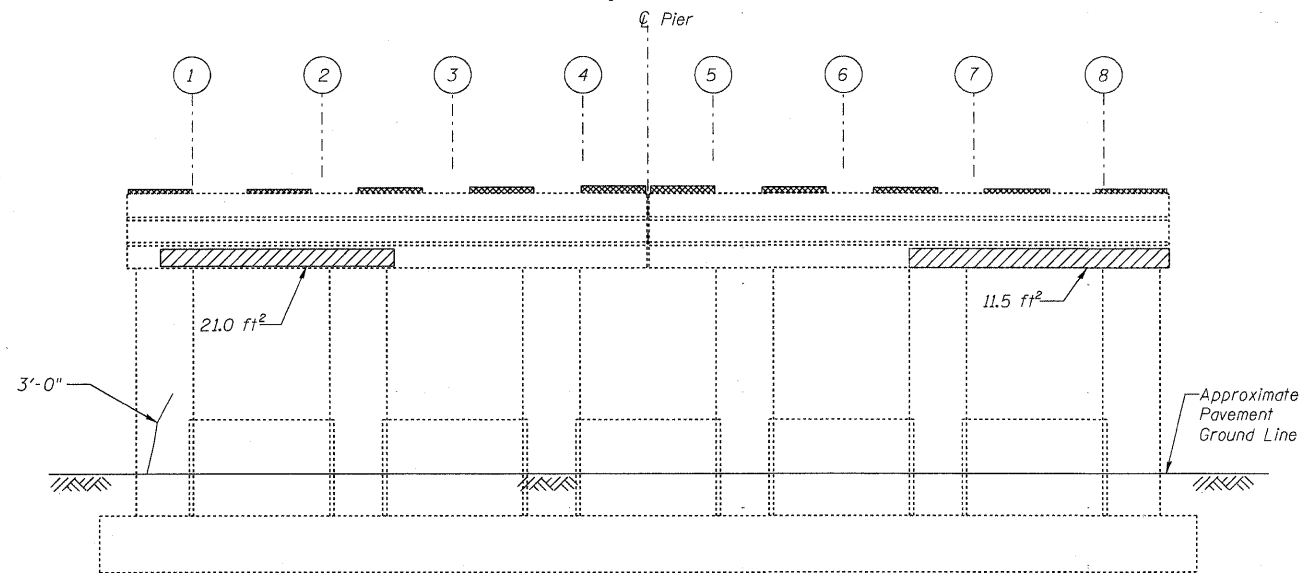


NEW PLAN PIER 2



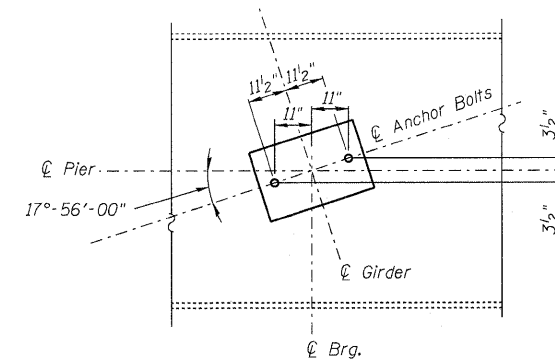
NORTH FACE PIER 2

Looking South



SOUTH FACE PIER 2

Looking North



TYPICAL BEARING AND ANCHOR BOLT DETAIL

BOTTOM OF BEARING PAD ELEVATIONS *	
Girder	Elevation
Girder 1	652.45
Girder 2	652.59
Girder 3	652.73
Girder 4	652.83
Girder 5	652.81
Girder 6	652.67
Girder 7	652.50
Girder 8	652.32

* See bearing shim plates. Field verify and adjust as required

LEGEND

- Concrete Removal Areas
- Concrete Repair ≤ 5"
- Epoxy Crack Injection

BILL OF MATERIAL PIER

ITEM	Unit	Quantity
Concrete Removal	Cu. Yds.	2.5
Concrete Repair ≤ 5"	Sq. Ft.	70
Epoxy Crack Injection	Feet	6