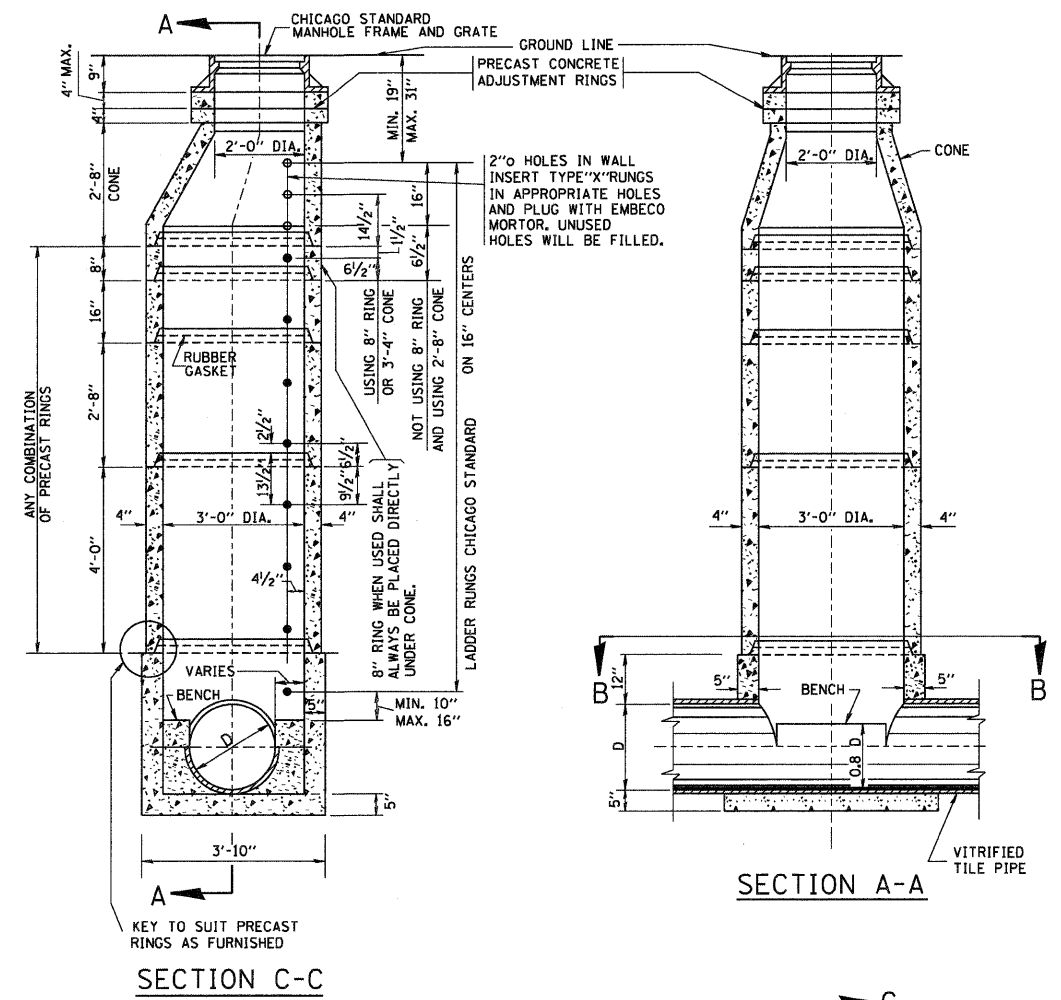
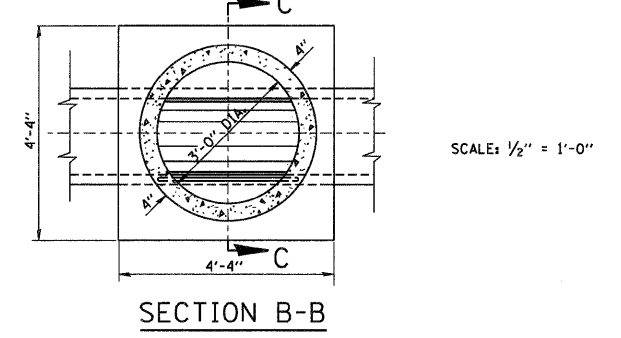
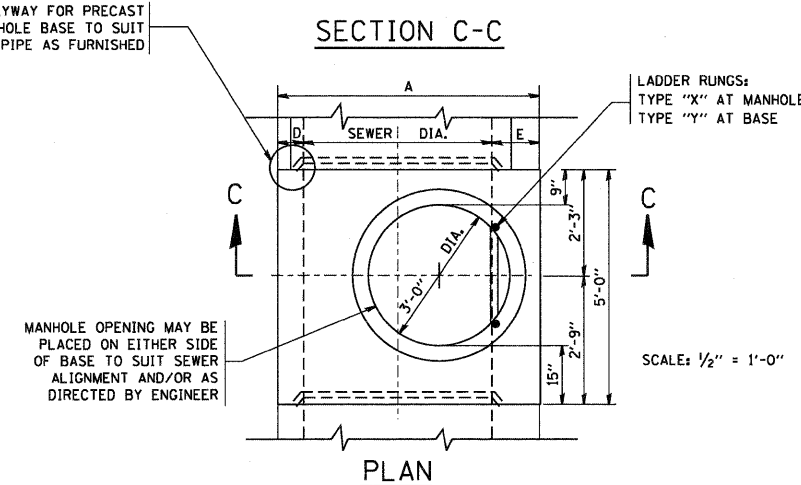


TYPE "A" MANHOLE
FOR SEWERS
24" TO 120" DIAMETER
PRECAST BASES AND RINGS



TYPE "A" MANHOLE
FOR SEWERS
21" DIAMETER AND SMALLER
PRECAST BASES AND RINGS



SEWER DIA.	PART OF ITEM	DIMENSIONS OF PRECAST MANHOLE BASE																NO. "Y" RINGS
		A	B	C	D	E	F	G	J	K	L	M	N	P	Q	R		
120"	----	12"-4 1/2"	12"	12"	12"	16 1/2"	12"	4'-0"	4'-0"	4'-4 1/2"	2'-7 1/2"	2'-5"	3'-7"	3'-7"	4'-8 1/2"	2'-0"	2 1/2"	7
108"	----	11"-4 1/2"	12"	12"	12"	16 1/2"	12"	3'-8"	3'-8"	4'-0 1/2"	2'-5"	2'-2"	3'-4"	3'-4"	4'-0 1/2"	2'-0"	6 1/2"	6
102"	----	10"-10 1/2"	12"	12"	12"	16 1/2"	12"	3'-6"	3'-6"	3'-10 1/2"	2'-4"	2'-1"	3'-2"	3'-2"	3'-8 1/2"	2'-0"	16 1/2"	5
96"	10-A	10"-2 1/2"	11"	11"	11"	15 1/2"	11"	3'-3"	3'-3"	3'-8 1/2"	2'-3"	23"	2'-11"	2'-11"	3'-4 1/2"	2'-0"	9 1/2"	5
90"	10-B	9'-8 1/2"	11"	11"	11"	15 1/2"	11"	3'-1"	3'-1"	3'-6 1/2"	2'-1 1/2"	22"	2'-10"	2'-10"	2'-11 1/2"	2'-0"	3 1/2"	5
84"	10-C	9'-0 1/2"	10"	10"	10"	14 1/2"	10"	2'-11"	2'-11"	3'-2 1/2"	23"	21"	2'-7"	2'-7"	2'-7 1/2"	2'-0"	12 1/2"	4
78"	10-D	8'-6 1/2"	10"	10"	10"	14 1/2"	10"	2'-9"	2'-9"	3'-0 1/2"	22"	20"	2'-6"	2'-6"	2'-2 1/2"	2'-0"	6 1/2"	4
72"	10	7'-10 1/2"	9"	9"	9"	13 1/2"	9"	2'-6"	2'-6"	2'-10 1/2"	21"	18"	2'-3"	2'-3"	22 1/2"	2'-0"	15 1/2"	3
66"	11	7'-4 1/2"	9"	9"	9"	13 1/2"	9"	2'-4"	2'-4"	2'-8 1/2"	19 1/2"	17"	2'-1"	2'-1"	18 1/2"	2'-0"	9 1/2"	3
60"	12	6'-8 1/2"	8"	8"	8"	12 1/2"	8"	2'-1 1/2"	2'-1"	2'-6"	18"	15"	23"	23"	13 1/2"	2'-0"	2 1/2"	3
54"	13	6'-2 1/2"	8"	8"	8"	12 1/2"	8"	2'-4"	2'-4"	23 1/2"	23"	14"	21"	21"	9 1/2"	2'-0"	12 1/2"	2
48"	14	5'-6 1/2"	7"	7"	7"	11 1/2"	7"	20 1/2"	21"	2'-1"	15"	12 1/2"	18 1/2"	18 1/2"	5"	2'-0"	5 1/2"	2
42"	15	5'-0 1/2"	7"	7"	7"	11 1/2"	7"	18 1/2"	19"	23"	14"	11"	---	17 1/2"	21"	2 1/2"	2	
36"	16	4'-4 1/2"	6"	6"	6"	10 1/2"	6"	16"	16"	20 1/2"	12 1/2"	9 1/2"	---	10 1/2"	18"	4 1/2"	1	
30"	17	4'-0"	6"	6"	6"	12"	6"	14"	14"	20"	12"	8 1/2"	---	6"	15"	11 1/2"	1	
24"	18	4'-0"	6"	6"	12"	12"	6"	16"	16"	16"	9 1/2"	9 1/2"	---	6"	12"	8 1/2"	1	

FOR STATE CONTRACT
ALL DIMENSIONS SHOULD
BE PREPARED IN METRIC
UNITS. SOFT CONVERSION
METHOD SHOULD BE USED.