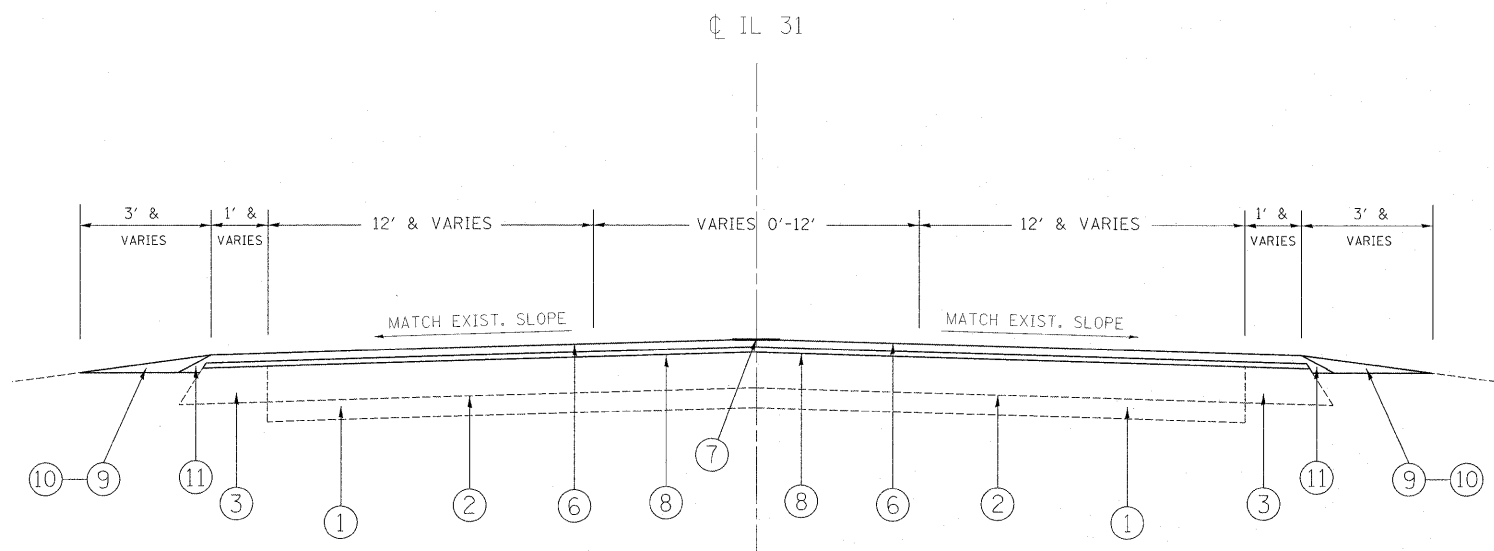


EXISTING TYPICAL SECTION
IL 31
STATION:
426+57 TO 598+71



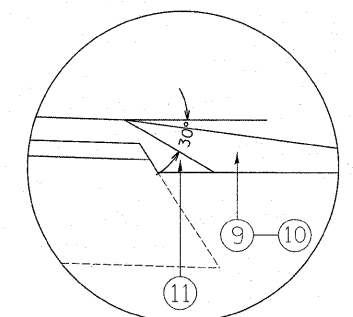
PROPOSED TYPICAL SECTION
IL 31
STATION:
426+57 TO 598+71

LEGEND

- ① EXIST. PCC BASE COURSE, 8''(±)
- ② EXIST. HOT-MIX ASPHALT SURFACE COURSE, 7''(±)
- ③ EXIST. HOT-MIX ASPHALT SHOULDER
- * ④ EXIST. AGGREGATE SHOULDER
- ⑤ PROP. HOT-MIX ASPHALT SURFACE REMOVAL - 2 1/4''
- ⑥ PROP. HOT-MIX ASPHALT SURFACE COURSE, MIX "D", N70, 1 1/2''
- ** ⑦ PROP. CENTERLINE RUMBLE STRIPES
- ⑧ PROP. POLYMERIZED LEVELING BINDER (MM), IL-4.75, N50, 3/4''
- ⑨ PROP. GRADING AND SHAPING SHOULDERS
- ⑩ PROP. AGGREGATE WEDGE SHOULDERS, TYPE B
- *** ⑪ SAFETY EDGE

NOTES:

- * ① EXISTING CURB & GUTTER IS BETWEEN STA. 596+49 AND STA. 598+71.
- ** ② CENTERLINE RUMBLE STRIPES TO BE INSTALLED BETWEEN STA. 500+00 AND STA. 592+32 ONLY.
- *** ③ SAFETY EDGE TO BE INSTALLED IN AREAS BETWEEN STA. 537+00 AND STA. 596+49 ONLY.



SAFETY EDGE DETAIL
NTS

| | | | | | | | | | | | | |
|--|---------------------------|----------------------|-----------|---|---|---|--------------------------|----------------------------|--------------------|-------------|--|--|
| FILE NAME = | USER NAME = baskinm | DESIGNED - M. BASKIN | REVISED - | STATE OF ILLINOIS DEPARTMENT OF TRANSPORTATION | IL 31 (McHENRY COUNTY LINE - STROM DRIVE) EXISTING AND PROPOSED TYPICAL SECTIONS | F.A.U. RTE. 3887 | SECTION S-RS-5 | COUNTY KANE | TOTAL SHEETS 33 | SHEET NO. 7 | | |
| ct:\pw_work\pwwork\baskinm\d0270384\0146611-sht-plan.dgn | PLT SCALE = 50.0000' / 1" | CHECKED - | REVISED - | | | SCALE: N/A | SHEET NO. 7 OF 33 SHEETS | STA. 354+00 TO STA. 598+71 | CONTRACT NO. 60P12 | | | |
| | PLT DATE = 10/25/2011 | DATE - | REVISED - | | | FED. ROAD DIST. NO. 1 ILLINOIS FED. AID PROJECT | | | | | | |
| | | | | | | | | | | | | |