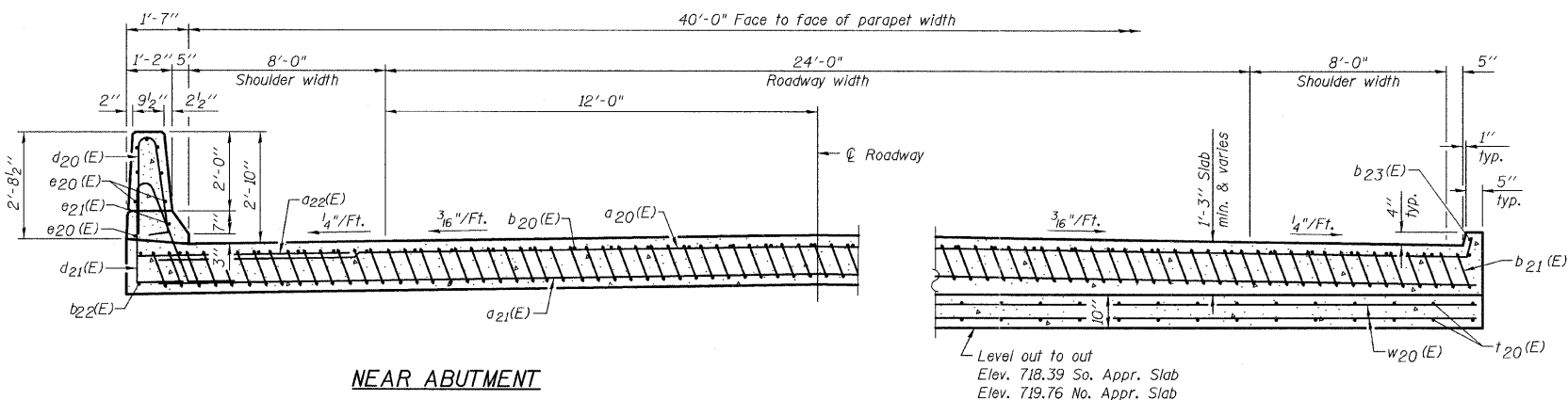


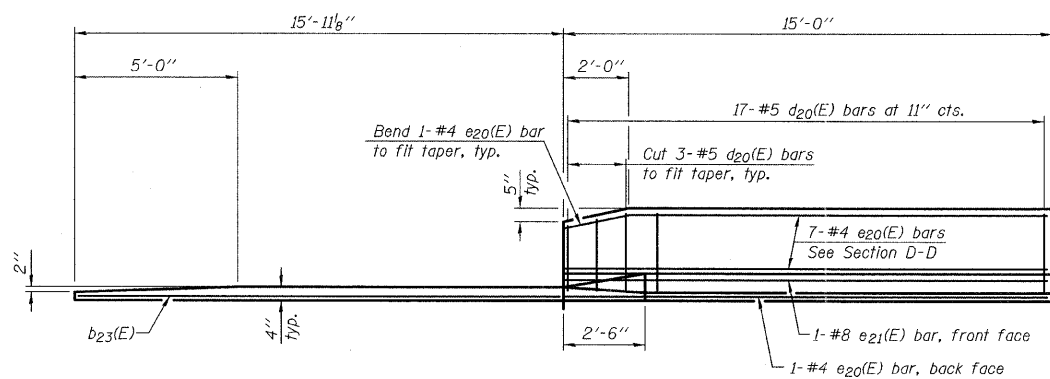
SECTION C-C



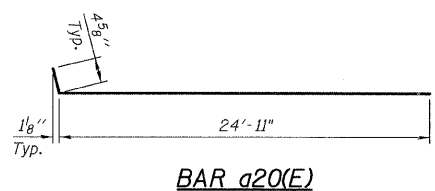
NEAR ABUTMENT

SECTION D-D
(See Plan for dimensions not shown)

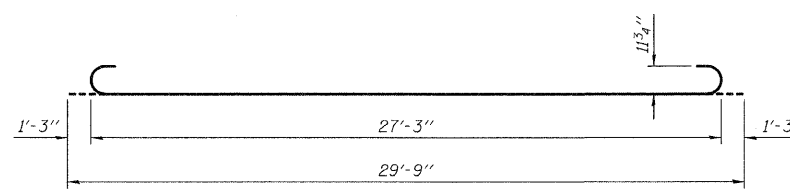
AT APPROACH FOOTING



VIEW E-E

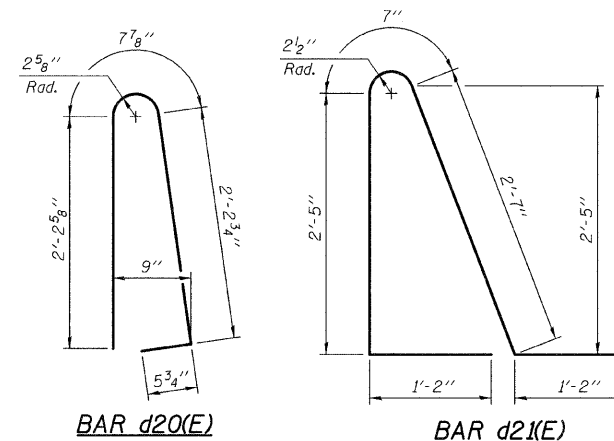


BAR a20(E)



BAR b21(E)

Notes:
 See sheet S12 for Detail A and View B-B.
 Approach slab and parapet concrete shall be paid for as Concrete Superstructure.
 Approach footing concrete shall be paid for as Concrete Structures.
 Reinforcement shall be paid for as Reinforcement Bars, Epoxy Coated.
 For v(E) bar details, see sheet S10.
 The approach footing maximum applied service bearing pressure (G_{max}) = 2.0 ksf.
 Cost of excavation for approach footing included with Concrete Structures.
 For Porous Granular Embankment (Special) and drainage treatment details, see sheet S2.
 For additional parapet details, see sheet S10.



BAR d20(E)

BAR d21(E)

* Tilt #9 b21(E) bars as required to maintain clearance.

*** Cost included with Concrete Superstructure.

TWO APPROACHES
 BILL OF MATERIAL

Bar	No.	Size	Length	Shape
a20(E)	100	#4	25'-4"	┌───┐
a21(E)	184	#5	25'-3"	┌───┐
a22(E)	48	#6	6'-6"	┌───┐
b20(E)	68	#4	29'-8"	┌───┐
b21(E)	200	#9	29'-9"	┌───┐
b22(E)	4	#4	14'-8"	┌───┐
b23(E)	4	#4	30'-7"	┌───┐
d20(E)	68	#5	5'-7"	┌───┐
d21(E)	68	#5	7'-11"	┌───┐
e20(E)	32	#4	14'-8"	┌───┐
e21(E)	4	#8	14'-8"	┌───┐
t20(E)	168	#4	11'-3"	┌───┐
w20(E)	160	#5	25'-3"	┌───┐
Concrete Superstructure		Cu. Yd.		126
Concrete Structures		Cu. Yd.		29.8
Reinforcement Bars, Epoxy Coated		Pound		35,610

FILE NAME = I:\029093_Central_Ave_Structural\CADD_Sheets\0160P17-13-approach_slab_det-II.dgn

BA-R 7-1-10

CHRISTIAN-ROGE & ASSOCIATES, INC.

USER NAME = IDOT	DESIGNED - J.C.N./B.N.S.	REVISED -
PLOT SCALE = 50.000000 / IN.	CHECKED - B.N.S.	REVISED -
PLOT DATE = 12/10/2011	DRAWN - F.M.	REVISED -
	DATE - DECEMBER 9, 2011	REVISED -

STATE OF ILLINOIS
 DEPARTMENT OF TRANSPORTATION

BRIDGE APPROACH SLAB DETAILS-II
 STRUCTURE NO. 016-2458

SHEET NO. S13 OF S24 SHEETS

F.A.I. RTE. 80	SECTION 1415-803HB-R	COUNTY COOK	TOTAL SHEETS 51	SHEET NO. 28
				CONTRACT NO. 60P17
ILLINOIS FED. AID PROJECT				