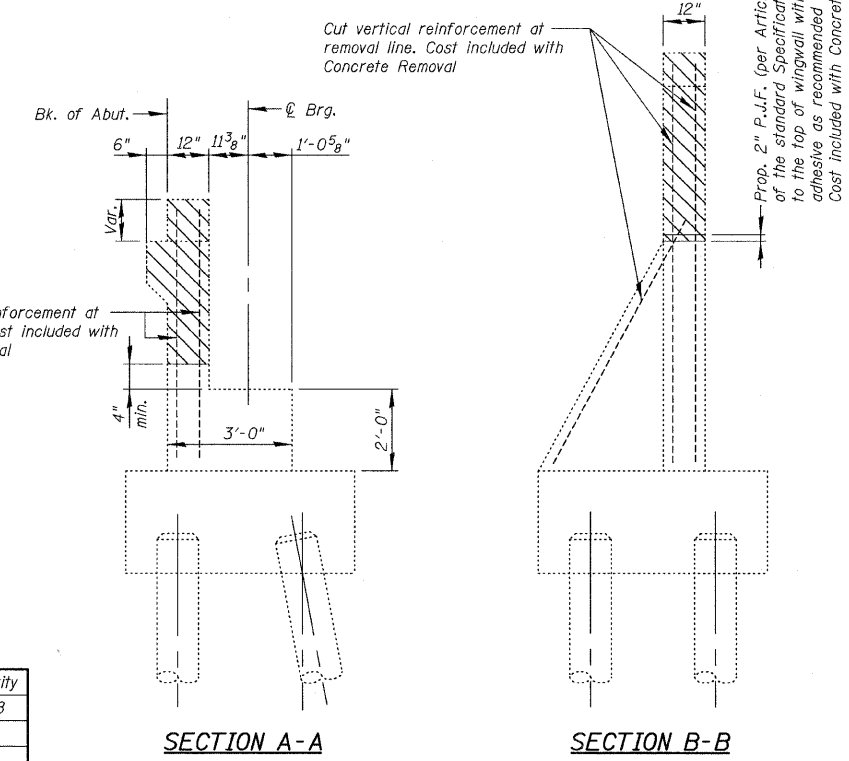
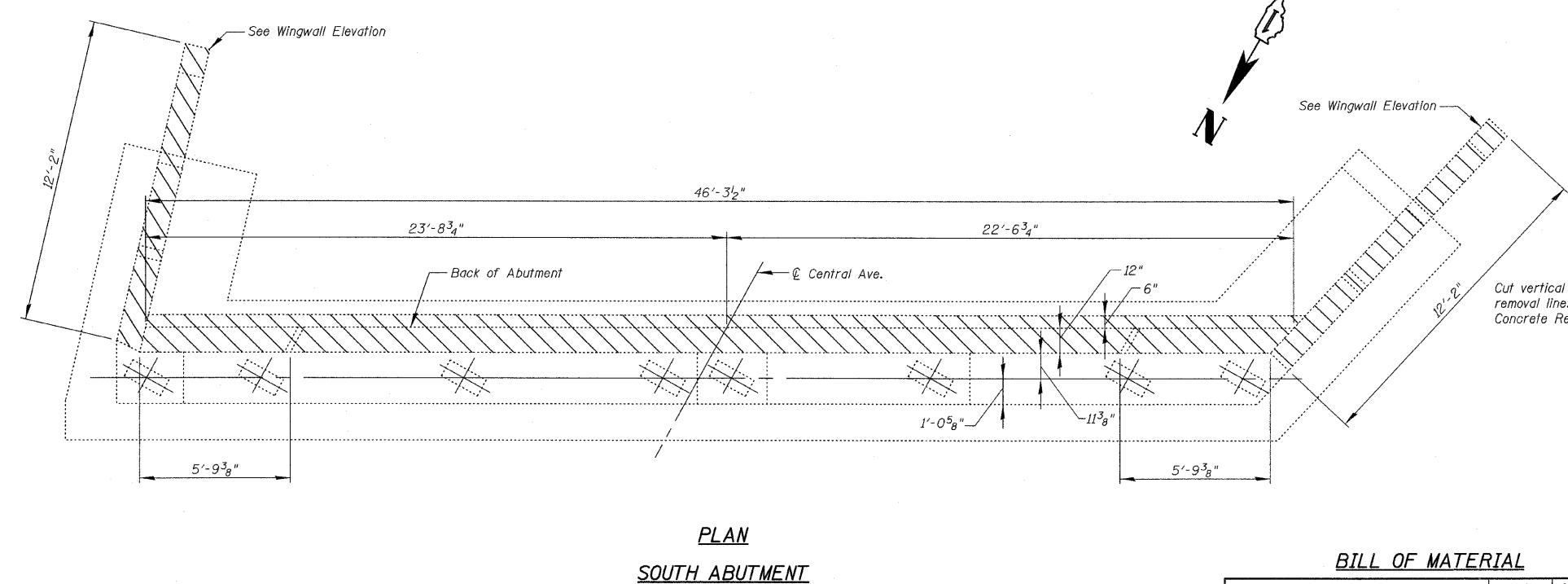
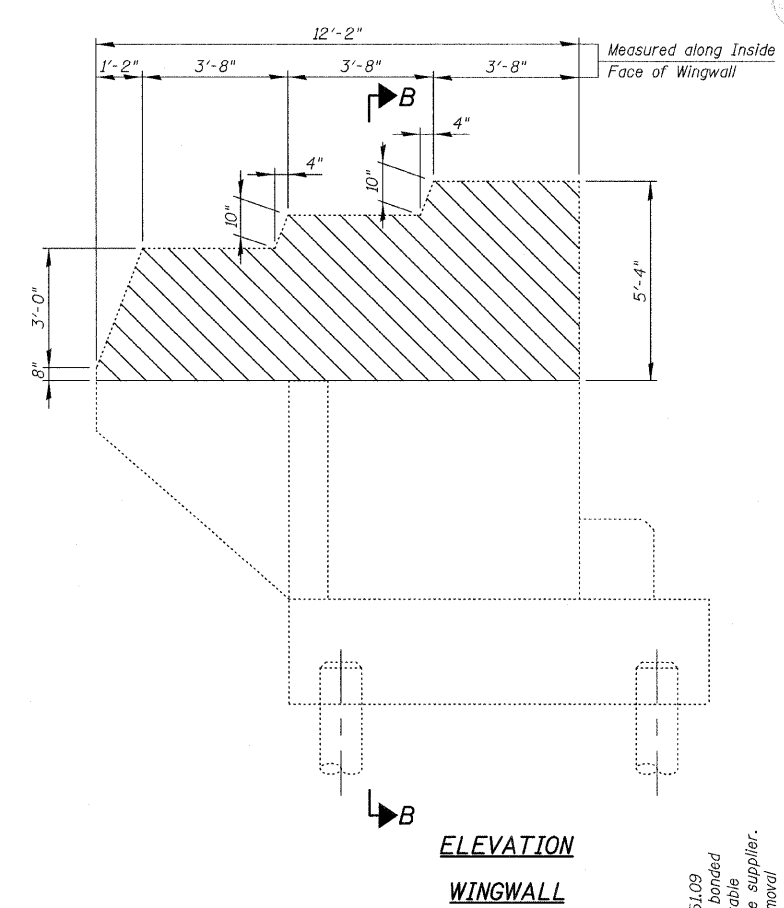
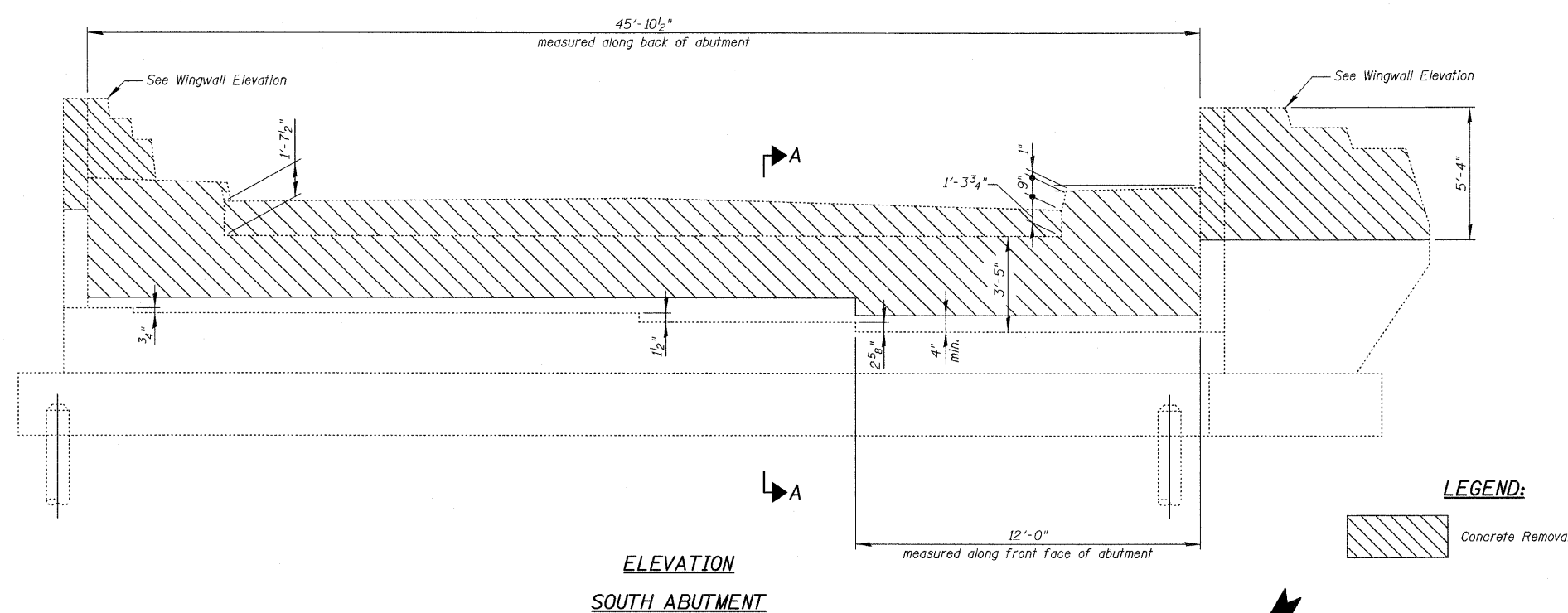


FILE NAME = I:\1022905_Central_Ave\Structural\CADD Sheets\160P17-18-abut_south.dgn



BILL OF MATERIAL

Item	Unit	Quantity
Concrete Removal	Cu. Yd.	12.8