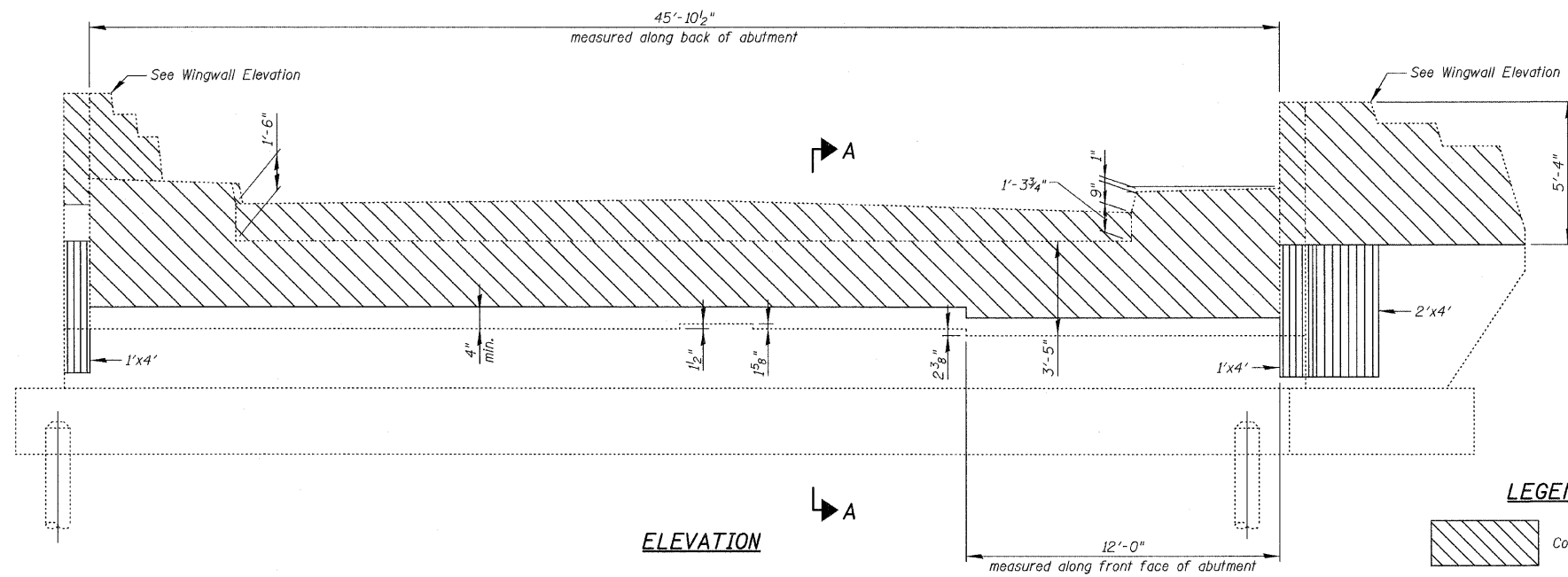


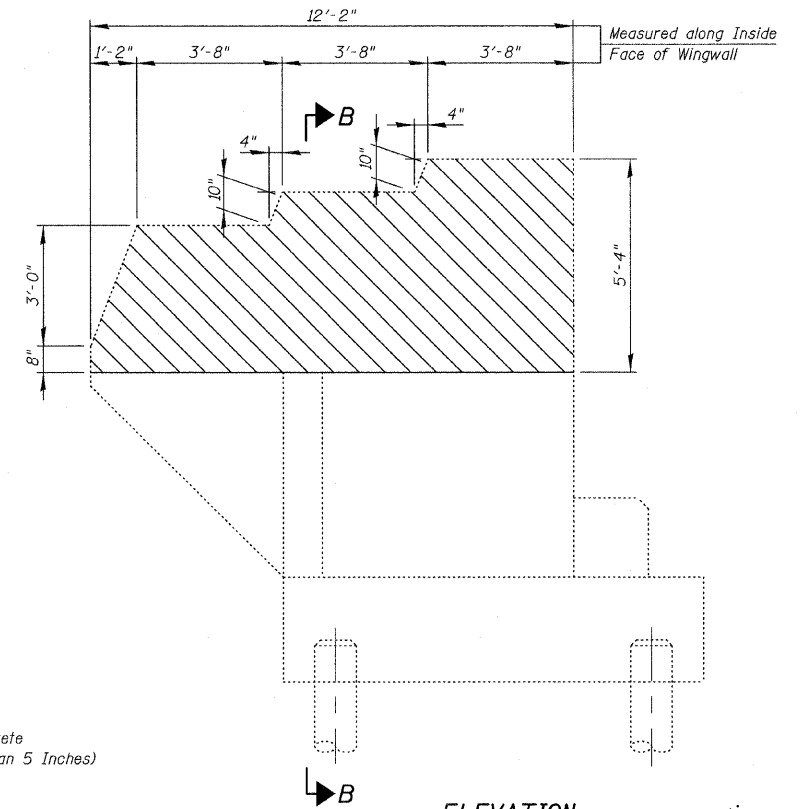
FILE NAME = I:\022905_Central_Ave_Structural\CADD Sheets\0166P17-19-abut.north.dgn



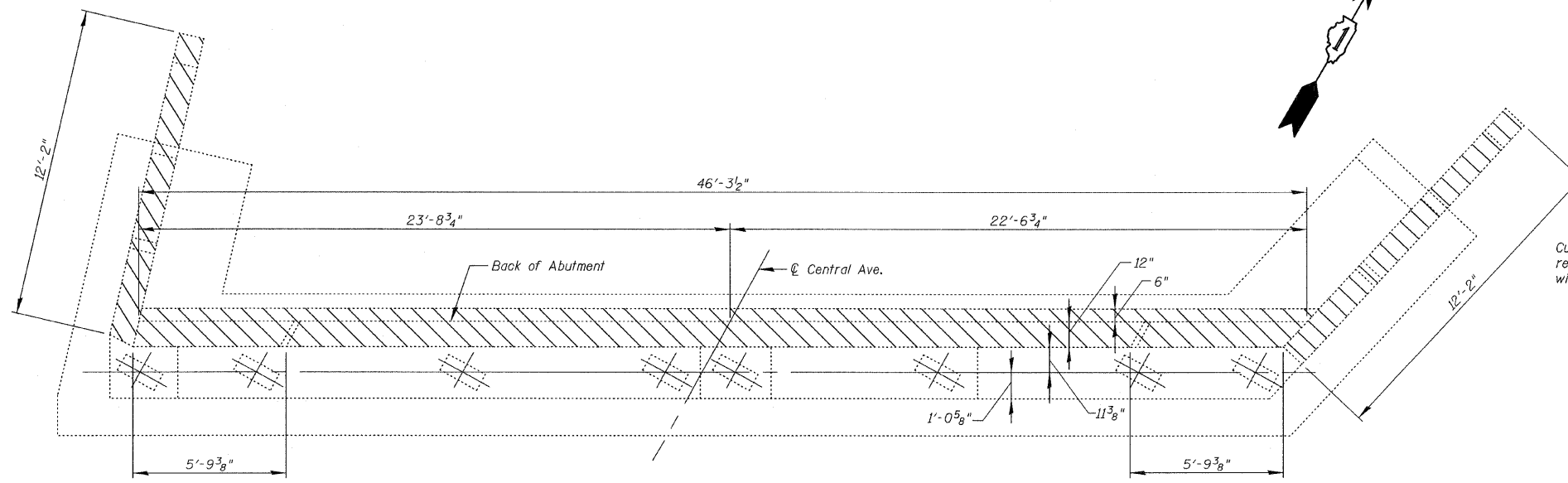
ELEVATION

LEGEND:

- Concrete Removal
- Structural Repair of Concrete (Depth Equal to or less than 5 Inches)



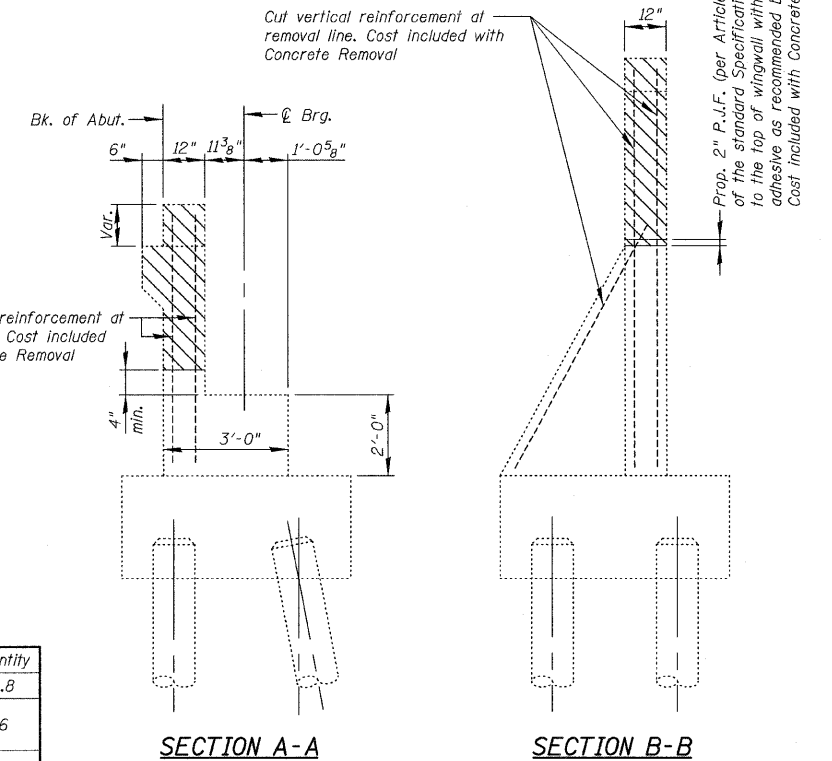
**ELEVATION
WINGWALL**



**PLAN
NORTH ABUTMENT**

BILL OF MATERIAL

Item	Unit	Quantity
Concrete Removal	Cu. Yd.	12.8
Structural Repair of Concrete (Depth Equal to or less than 5 Inches)	Sq. Ft.	16



SECTION A-A

SECTION B-B



USER NAME = IDOT
 DESIGNED - J.C.N./B.N.S.
 CHECKED - B.N.S.
 DRAWN - F.M.
 DATE - DECEMBER 9, 2011

REVISED -
 REVISED -
 REVISED -
 REVISED -

**STATE OF ILLINOIS
 DEPARTMENT OF TRANSPORTATION**

**CONCRETE REMOVAL & REPAIR DETAILS FOR NORTH ABUTMENT
 STRUCTURE NO. 016-2458**

SHEET NO. S19 OF S24 SHEETS

F.A.I. RTE.	SECTION	COUNTY	TOTAL SHEETS	SHEET NO.
80	1415-803HB-R	COOK	51	34
				CONTRACT NO. 60P17

ILLINOIS FED. AID PROJECT