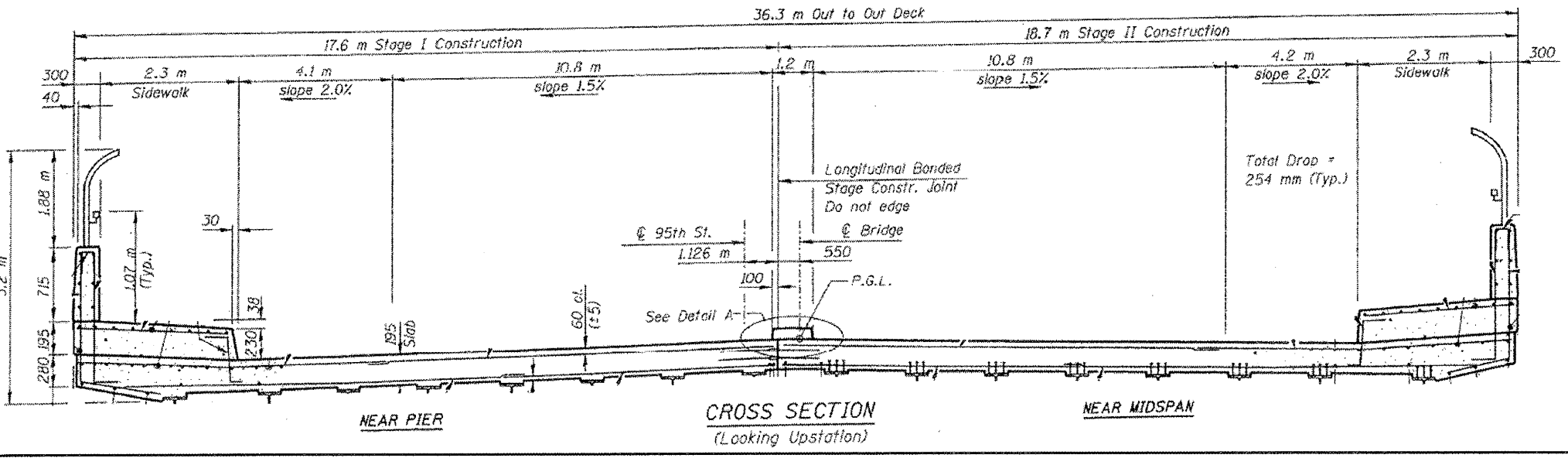
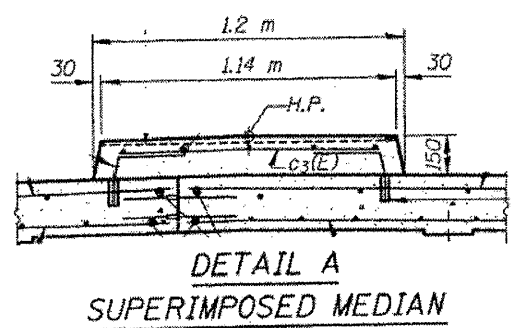
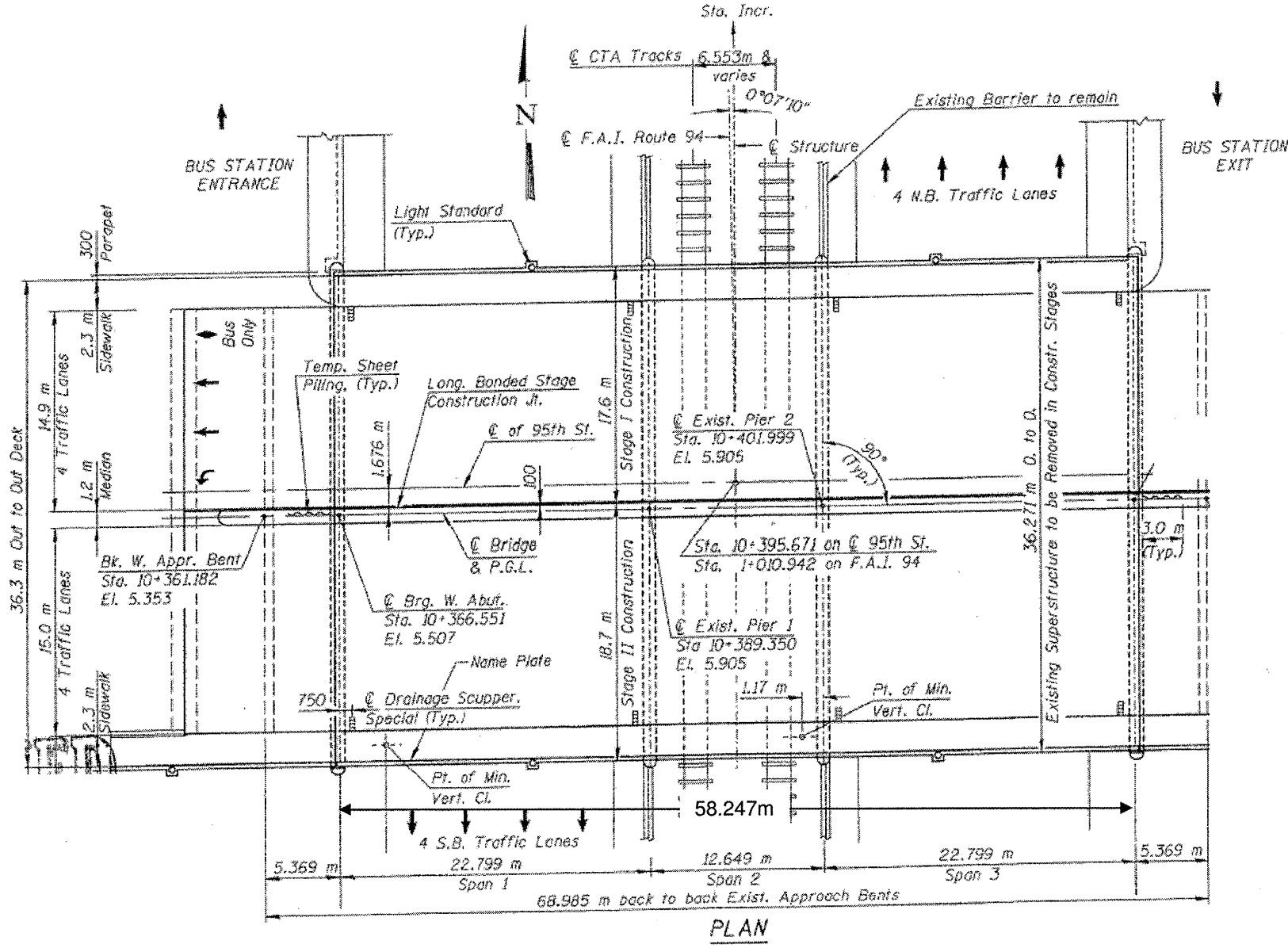


ROUTE VARIOUS	SECTION 2011-050-I	COUNTY COOK	TOTAL SHEETS 69	SHEET NUMBER 48
-------------------------	------------------------------	-----------------------	---------------------------	---------------------------

CONTRACT NO. 60P60



**FOR
INFORMATION
ONLY**

**ILLINOIS DEPARTMENT OF
TRANSPORTATION**

**EXISTING PLANS & CROSS SECTION
LOCATION 34 (SN 016-0437)
95TH ST (US 12, 20) OVER I-94
SHEET 1 OF 1**