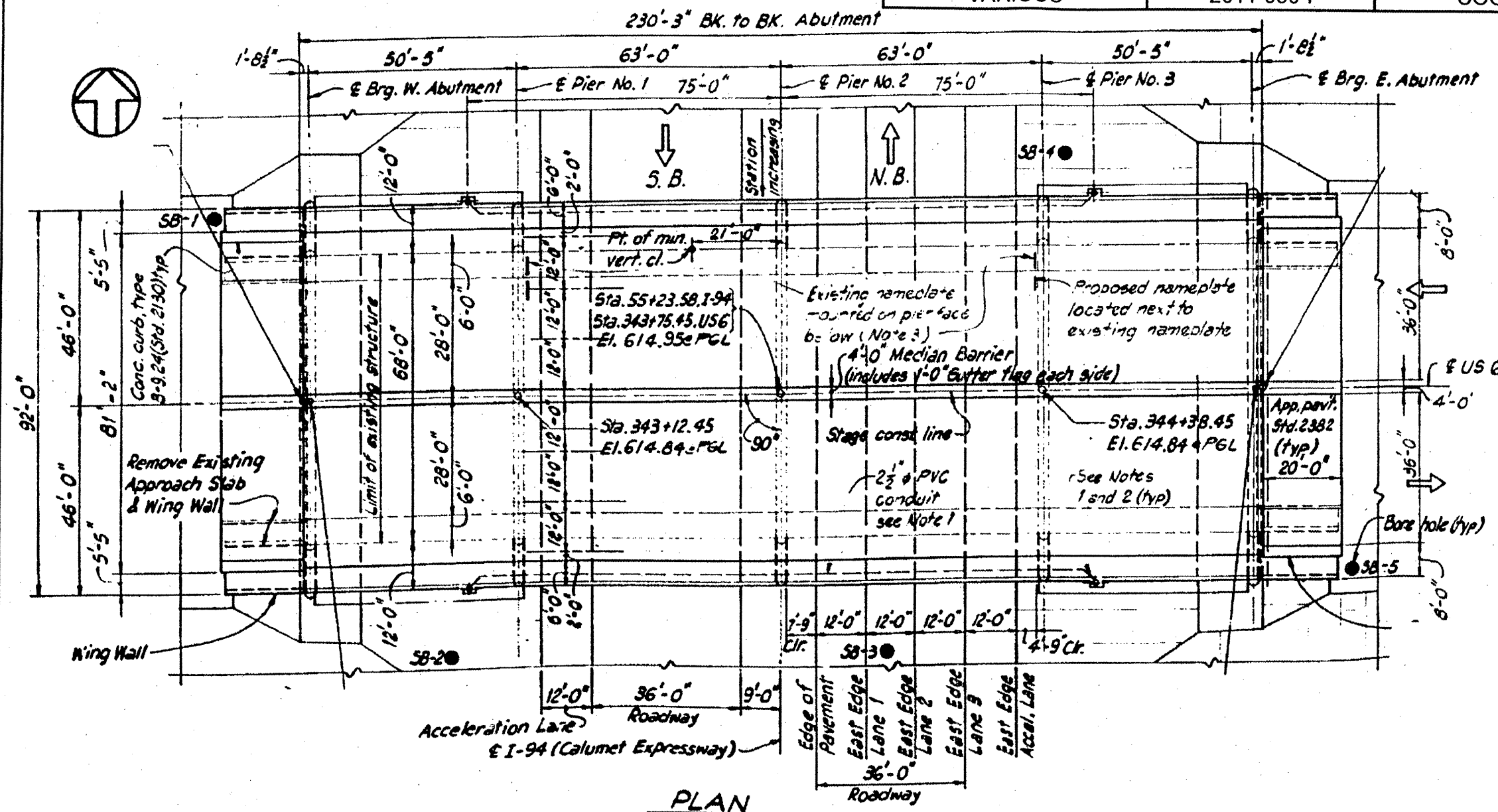
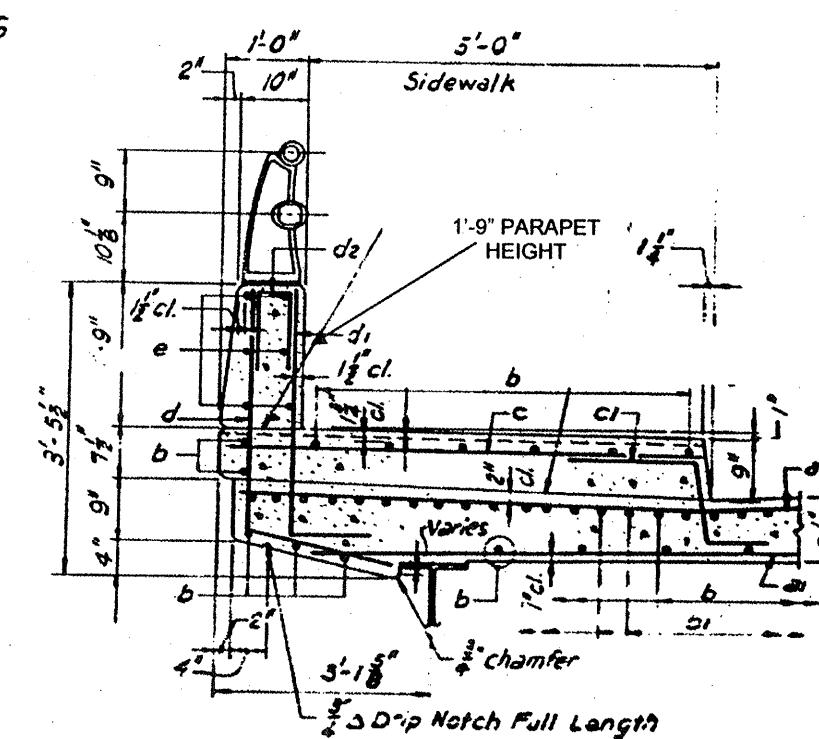


ROUTE VARIOUS	SECTION 2011-050-I	COUNTY COOK	TOTAL SHEETS 69	SHEET NUMBER 59
------------------	-----------------------	----------------	--------------------	--------------------

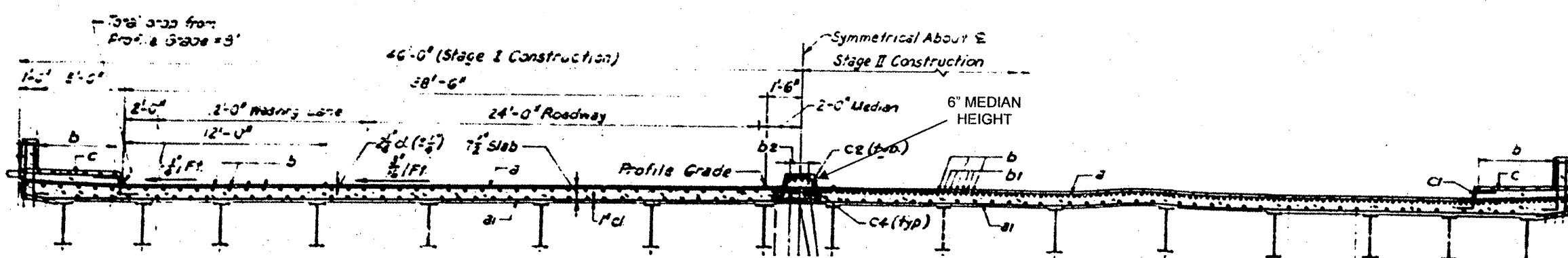
CONTRACT NO. 60P60



PLAN



SIDEWALK AND PARAPET SECTION



DECK CROSS SECTION

**FOR
INFORMATION
ONLY**

ILLINOIS DEPARTMENT OF
TRANSPORTATION

EXISTING PLANS & CROSS SECTION
LOCATION 45 (SN 016-0388)
US 6 (159TH ST) OVER I-94 BISHOP FORD
SHEET 1 OF 1