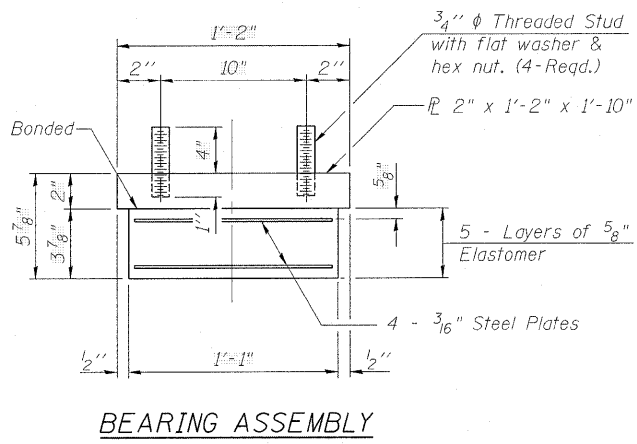


**TYPE I ELASTOMERIC EXP. BRG.**  
(11 Required)



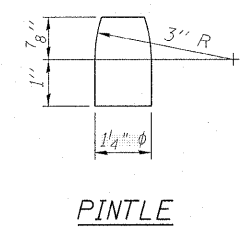
Note:  
Shim plates shall not be placed under Bearing Assembly.

Notes:  
Anchor bolts shall be ASTM F1554 all-thread (or an Engineer-approved alternate material) of the grade(s) and diameter(s) specified. ASTM A307 Grade C anchor bolts may be used in lieu of ASTM F1554 Grade 36 (Fy=36ksi). The corresponding specified grade of AASHTO M314 anchor bolts may be used in lieu of ASTM F1554.  
Anchor bolts at fixed bearings may be either cast in place or installed in holes drilled after the supported member is in place.  
Anchor bolts for side retainers may be cast in place or installed in holes drilled before or after members are in place.  
Drilled and set anchor bolts shall be installed according to Article 521.06 of the Standard Specifications.  
All bearing assembly plates and pintles shall be AASHTO M270 Grade 50 steel.  
Side retainers and other steel members required for the elastomeric bearing assembly shall be included in the cost of Furnishing Elastomeric Bearing Assembly, Type I.  
Furnishing of the fixed bearing assemblies, including shim plates and neoprene pads, shall be included in the cost of Furnishing Structural Steel.

**ELEVATION AT EAST ABUT.**

**SECTION B-B**

**FIXED BEARING**  
(11 Required)



**BEARING SEAT ELEVATIONS**

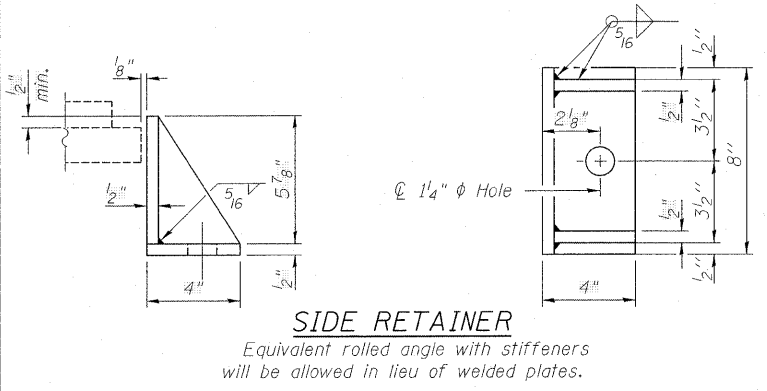
Beam	W. Abut.	E. Abut.
1	753.43	753.13
2	753.59	753.28
3	753.75	753.44
4	753.88	753.59
5	754.07	753.74
6	753.92	753.59
7	753.76	753.42
8	753.60	453.25
9	753.44	753.08
10	753.50	753.14
11	753.66	753.29

\* Provide 5/8" thick Shim

**BILL OF MATERIAL**

Item	Unit	Total
Furnishing Elastomeric Bearing Assembly, Type I	Each	11
* Anchor Bolts, 1"	Each	44

\* Not in Contract



**SIDE RETAINER**  
Equivalent rolled angle with stiffeners will be allowed in lieu of welded plates.

**BOWMAN, BARRETT & ASSOCIATES INC.**  
CONSULTING ENGINEERS  
Chicago, Illinois  
312.228.0100  
www.bbda-inc.com

12/26/2011 5:54:46 PM S:\1105\05\CADD\60P69\_Russell\60P69.dwg

FILE NAME =	USER NAME =	DESIGNED - MRM	REVISED -	<b>STATE OF ILLINOIS DEPARTMENT OF TRANSPORTATION</b>	<b>BEARING DETAILS STRUCTURE NO. 049-0533</b>	F.A.U. RTE. 1199	SECTION 2011-056-F	COUNTY LAKE	TOTAL SHEETS 19	SHEET NO. 11	
	PLOT SCALE = N.T.S.	CHECKED - TL	REVISED -			SHEET NO. OF SHEETS					
	PLOT DATE = 12/16/2011	DRAWN - MTR	REVISED -			ILLINOIS FED. AID PROJECT					
		CHECKED - DF	REVISED -			CONTRACT NO. 60P69					