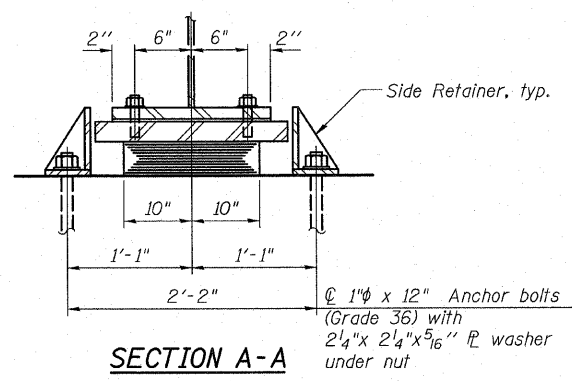
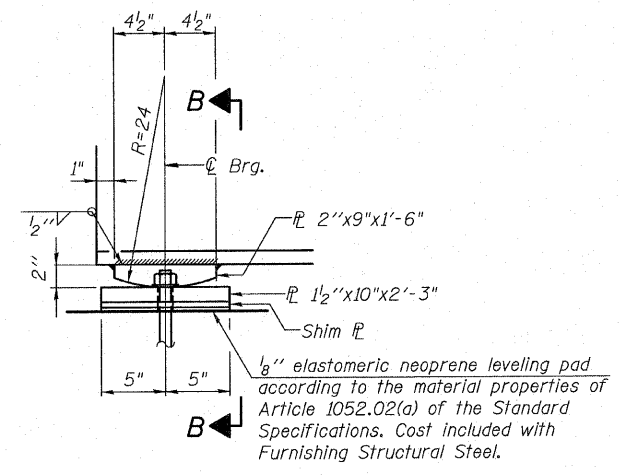


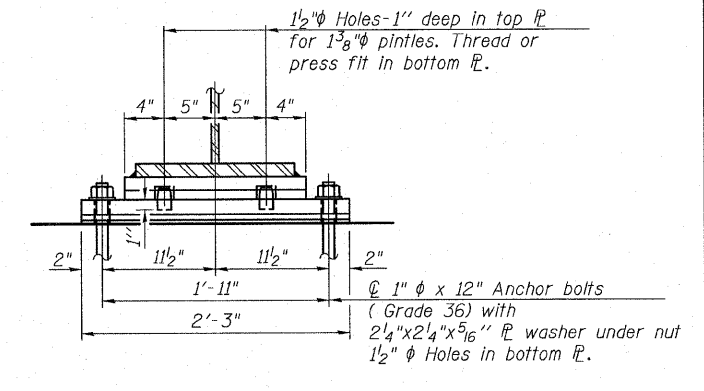
ELEVATION AT EAST ABUT.



SECTION A-A

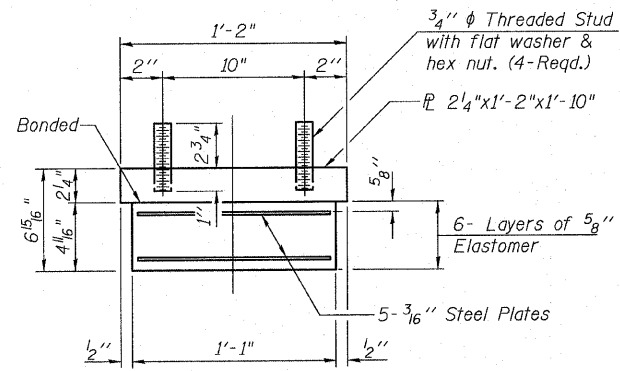


ELEVATION AT WEST ABUT.



SECTION B-B

TYPE I ELASTOMERIC EXP. BRG.



BEARING ASSEMBLY

Note:
Shim plates shall not be placed under Bearing Assembly.

Notes:
Side retainers and other steel members required for the elastomeric bearing assembly shall be included in the cost of Furnishing Elastomeric Bearing Assembly, Type I.
Furnishing of the Fixed bearing assemblies including shim plates & neoprene pads, shall be included in the cost of Furnishing Structural Steel.
The structural steel plates of the Bearing Assembly shall conform to the requirements of AASHTO M 270 Grade 50

FOR INFORMATION ONLY

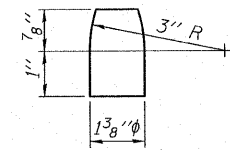
Anchor bolts shall be ASTM F1554 all-thread (or an Engineer-approved alternate material) of the grade(s) and diameter(s) specified, ASTM A307 Grade C anchor bolts may be used in lieu of ASTM F1554 Grade 36 (Fy=36ksi). The corresponding specified grade of AASHTO M314 anchor bolts may be used in lieu of ASTM F1554.

Anchor bolts at fixed bearings may be either cast in place or installed in holes drilled after the supported member is in place.

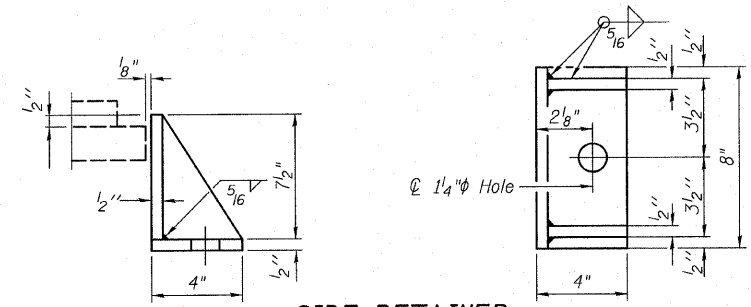
Anchor bolts for side retainers may be cast in place or installed in holes drilled before or after members are in place.

Drilled and set anchor bolts shall be installed according to Article 521.06 of the Standard Specifications.

FIXED BEARING
(AASHTO M270 Grade 50)



PINTLE



SIDE RETAINER

Equivalent rolled angle with stiffeners will be allowed in lieu of welded plates.

BEARING SEAT ELEVATIONS

Beam	W. Abut.	E. Abut.
1	751.67	749.12
2	751.81	749.25
3	751.95	749.38
4	752.09	749.50
5	752.23	749.63
6	752.06	749.45
7	751.87	749.25
8	751.69	749.06
9	751.51	748.86
10	751.55	748.89
11	751.69	749.01

* Provide 5/8" thick Shim PL

BILL OF MATERIAL

Item	Unit	Total
Furnishing Elastomeric Bearing Assembly, Type I	Each	11
* Anchor Bolts, 1"	Each	44

* Anchor Bolts not included in this Contract

SDI STRUCTURE DESIGNS, INC.
ENGINEERS & SURVEYORS
PH: (312) 351-9790
www.structuredesignsinc.com

I-2E-1 7-1-10

FILE NAME =	USER NAME =	DESIGNED - LRT / AG	REVISED -	STATE OF ILLINOIS DEPARTMENT OF TRANSPORTATION	BEARING DETAILS STRUCTURE NO. 049-0534	F.A.U. RTE.	SECTION	COUNTY	TOTAL SHEETS	SHEET NO.	
		CHECKED - OAO / LRT	REVISED -			1199	2011-056-F	LAKE	19	19	
		DRAWN - TCS / AG	REVISED -			CONTRACT NO. 60P76					
		CHECKED - AG	REVISED -			ILLINOIS FED. AID PROJECT					